

# ARCHITECTURAL FIBERGLASS CATALOG



**ARCHITECTURAL FIBERGLASS, INC.**

8300 Bessemer Ave. \* Cleveland, OH 44127-1839 \* 216-641-8300 \* Fax 216-641-8150 \* [www.fiberglass-afi.com](http://www.fiberglass-afi.com)



# ARCHITECTURAL FIBERGLASS, INC.

8300 Bessemer Ave. \* Cleveland, OH 44127-1839 \* 216-641-8300 \* Fax 216-641-8150 \* [www.fiberglass-afi.com](http://www.fiberglass-afi.com)

## CATALOG INFORMATION

The products represented in this catalog reflect some of Architectural Fiberglass, Inc.'s (AFI) standard products that do not require customization resulting in more competitive prices and faster lead-times. Only standard molds are kept in stock to produce such products. Once an order is received the molds are used to manufacture the specific parts requested.

Standard products are designated with part numbers with the exception of columns which are designated by the type and size of column. These part numbers should be used when specifying a particular product or requesting additional information. Many of these products can also be modified to fit a specific purpose or be used as a basis to achieve another aesthetic design.

AFI manufactures numerous other stock products not represented in our catalog. AFI is continuously modifying and manufacturing new products and different profiles on a regular basis. If this catalog does not represent the product or profile that you desire, please consult AFI for your custom requirements.

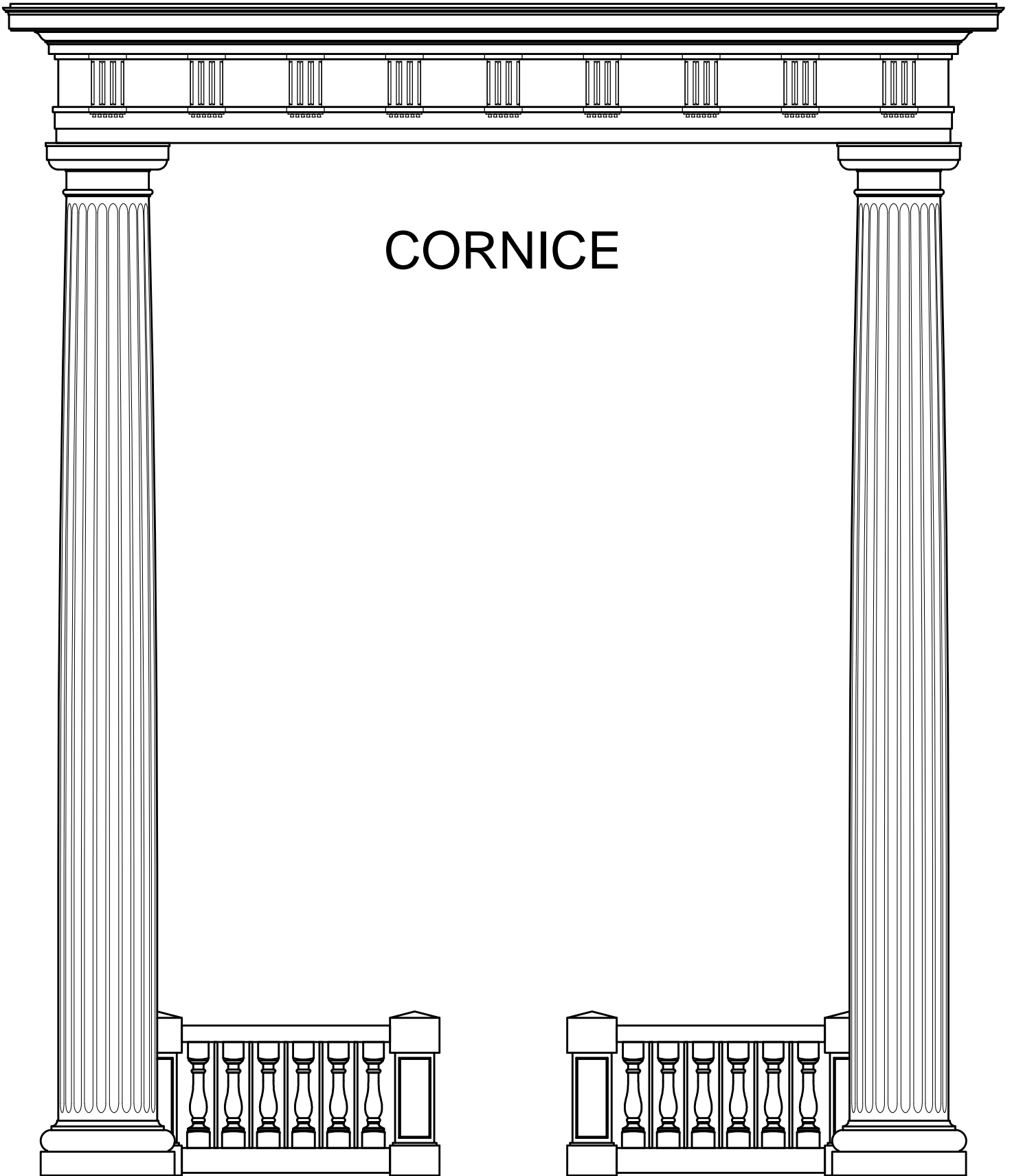


# ARCHITECTURAL FIBERGLASS, INC.

8300 Bessemer Ave. \* Cleveland, OH 44127-1839 \* 216-641-8300 \* Fax 216-641-8150 \* [www.fiberglass-afi.com](http://www.fiberglass-afi.com)

## INDEX

1. CORNICE
  - 1.1. CORNICE DETAILS
2. COLUMNS
  - 2.1. FIBERGLASS COLUMN COVERS
  - 2.2. COLUMN DETAILS
  - 2.3. POLYMER COMPOSITE COLUMNS
  - 2.4. COLUMN CAPITALS
3. CUPOLAS
  - 3.1. CUPOLA DETAILS
4. FINIALS
  - 4.1. FINIALS
  - 4.2. URNS
5. BALUSTRADES
  - 5.1. BALUSTERS
  - 5.2. NEWELL POSTS
  - 5.3. BALUSTRADE RAILS
  - 5.4. BALUSTER DETAILS
6. HEMISPHERE DOMES
  - 6.1. DOME DETAILS
7. ONION DOMES
8. RELIGIOUS ARCHITECTURE
  - 8.1. ISLAMIC DOMES
  - 8.2. HINDU DOMES
  - 8.3. SHIKHARS
  - 8.4. SAMARANS
9. RELIGIOUS ORNAMENTS
  - 9.1. ONE-BAR CROSSES
  - 9.2. THREE-BAR CROSSES
  - 9.3. CRESCENTS
  - 9.4. RELIGIOUS ORNAMENTS



# CORNICE

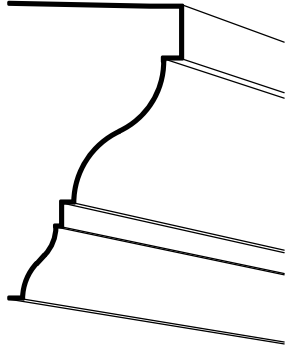


**ARCHITECTURAL FIBERGLASS, INC.**

8300 Bessemer Ave. \* Cleveland, OH 44127-1839 \* 216-641-8300 \* Fax 216-641-8150 \* [www.fiberglass-afi.com](http://www.fiberglass-afi.com)

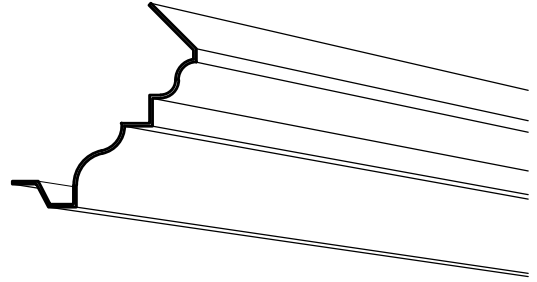
C-300

DEPTH: 1'-2 1/2"  
HEIGHT: 2'-0 3/4"



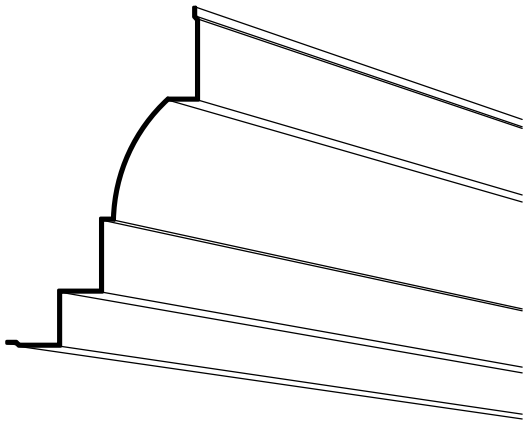
C-301

DEPTH: 11 1/2"  
HEIGHT: 1'-0 3/4"



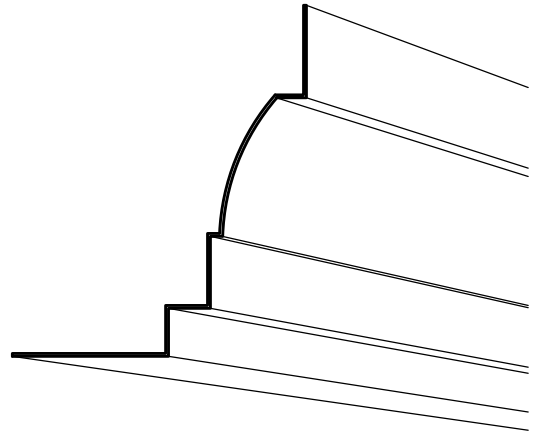
C-302

DEPTH: 1'-4"  
HEIGHT: 2'-4 1/4"



C-303

DEPTH: 2'-0 1/2"  
HEIGHT: 2'-5 1/4"



CORNICE

SHEET NO.

**C-01**

2020

PROFILES

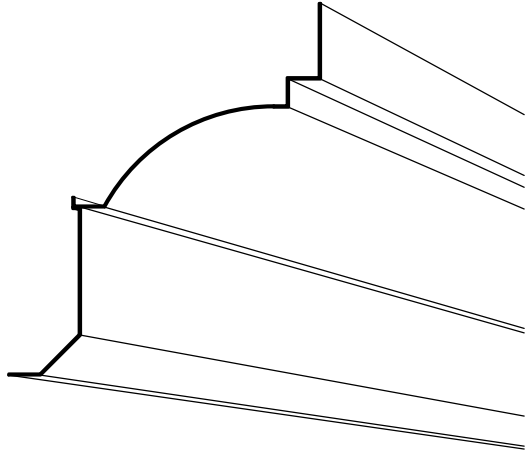


**ARCHITECTURAL FIBERGLASS, INC.**

8300 BESSEMER AVE., CLEVELAND, OHIO 44127-1839  
(216) 641-8300 - FAX:(216) 641-8150  
[www.fiberglass-afi.com](http://www.fiberglass-afi.com)

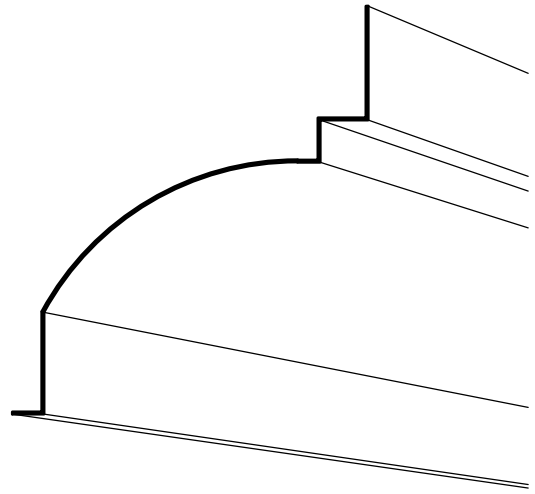
C-304

DEPTH: 3'-3"  
HEIGHT: 3'-10 1/2"



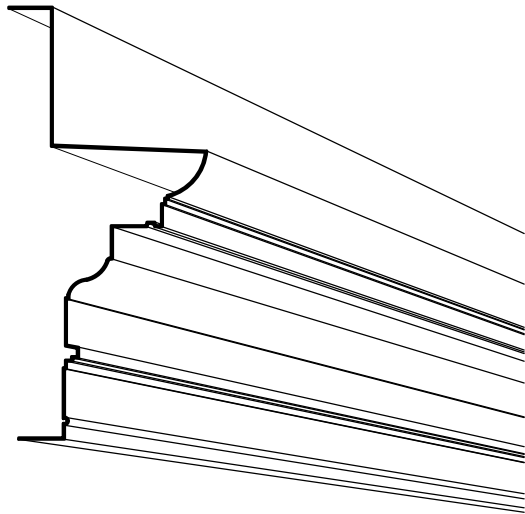
C-305

DEPTH: 2'-5 5/8"  
HEIGHT: 2'-10"



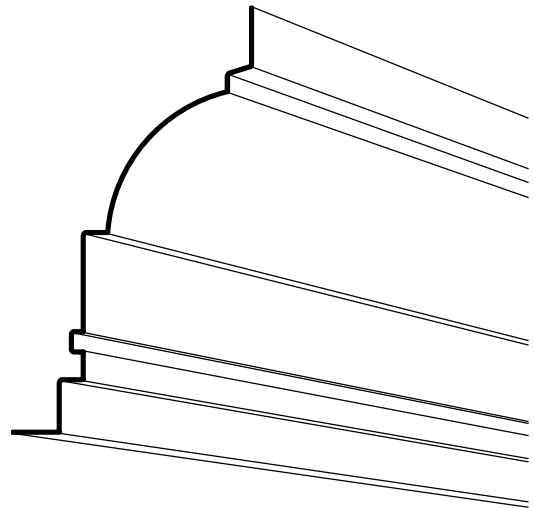
C-306

DEPTH: 2'-0 3/4"  
HEIGHT: 4'-6"



C-307

DEPTH: 1'-8"  
HEIGHT: 2'-11 1/2"



CORNICE

SHEET NO.

**C-02**

2020

PROFILES

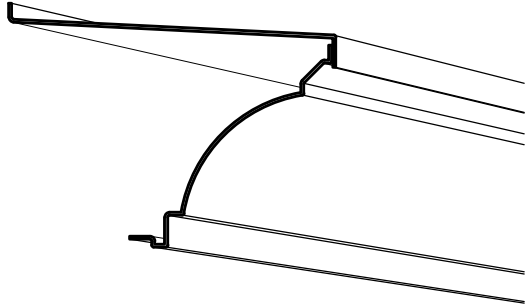


**ARCHITECTURAL FIBERGLASS, INC.**

8300 BESSEMER AVE., CLEVELAND, OHIO 44127-1839  
(216) 641-8300 - FAX:(216) 641-8150  
[www.fiberglass-afi.com](http://www.fiberglass-afi.com)

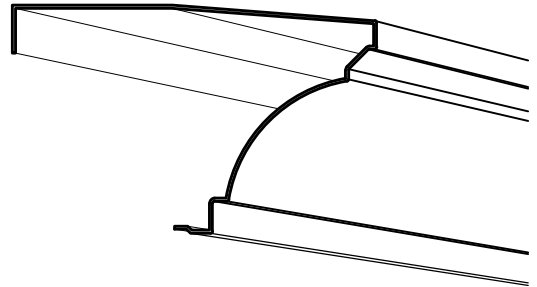
C-308

DEPTH: 1'-8 7/16"  
HEIGHT: 1'-3 1/4"



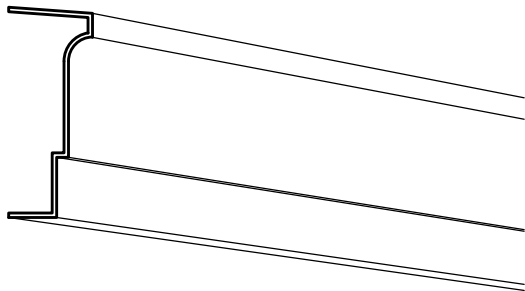
C-309

DEPTH: 1'-10 3/4"  
HEIGHT: 1'-2 1/4"



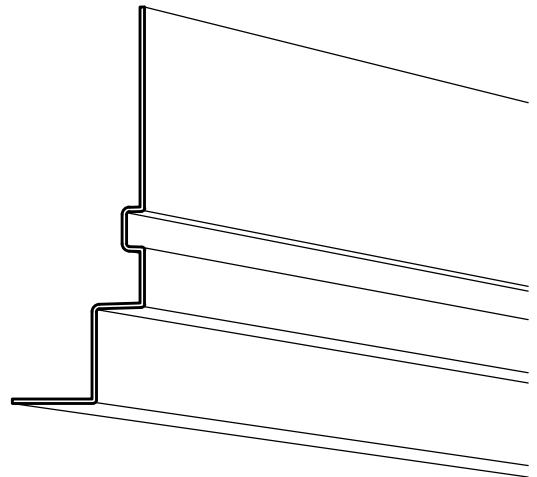
C-310

DEPTH: 3 1/2"  
HEIGHT: 8 3/4"



C-311

DEPTH: 5 1/2"  
HEIGHT: 1'-4 1/2"



CORNICE

SHEET NO.

**C-03**

2020

PROFILES

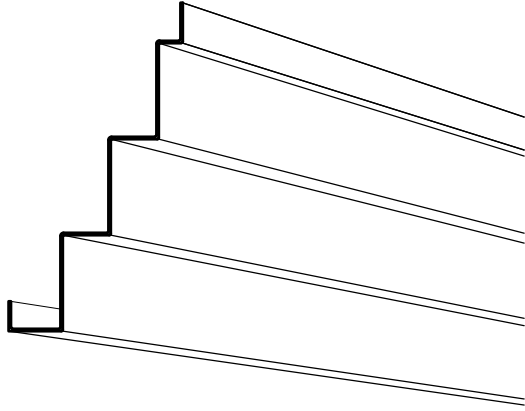


**ARCHITECTURAL FIBERGLASS, INC.**

8300 BESSEMER AVE., CLEVELAND, OHIO 44127-1839  
(216) 641-8300 - FAX:(216) 641-8150  
[www.fiberglass-afi.com](http://www.fiberglass-afi.com)

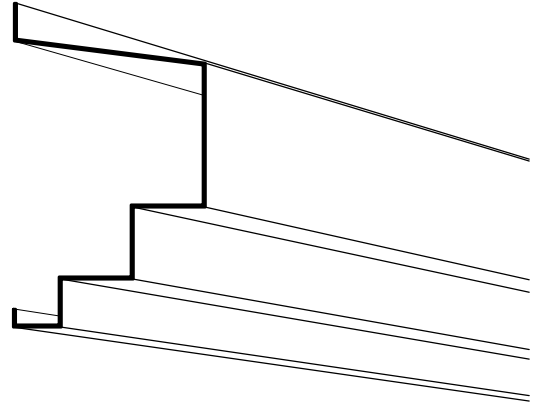
C-312

DEPTH: 1'-2 1/2"  
HEIGHT: 2'-3 3/8"



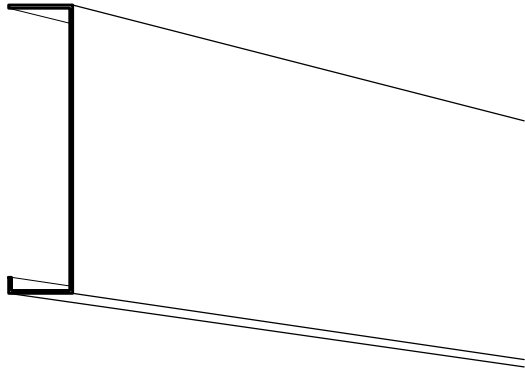
C-313

DEPTH: 1'-4"  
HEIGHT: 2'-3"



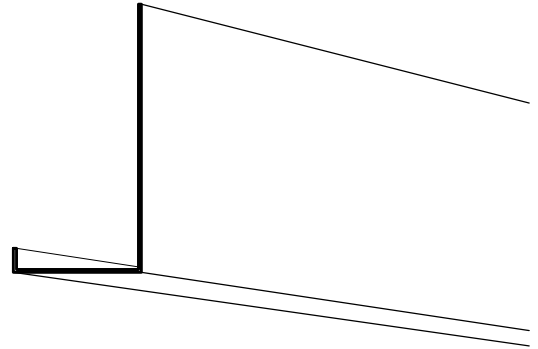
C-314

DEPTH: 4"  
HEIGHT: 1'-6"



C-315

DEPTH: 8"  
HEIGHT: 1'-4 3/4"



CORNICE

SHEET NO.

**C-04**

2020

PROFILES



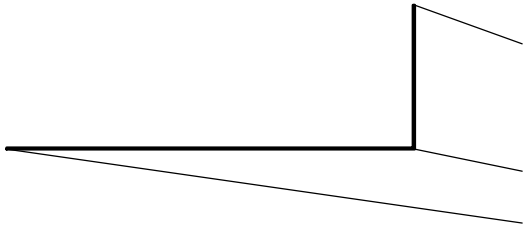
**ARCHITECTURAL FIBERGLASS, INC.**

8300 BESSEMER AVE., CLEVELAND, OHIO 44127-1839  
(216) 641-8300 - FAX:(216) 641-8150  
[www.fiberglass-afi.com](http://www.fiberglass-afi.com)



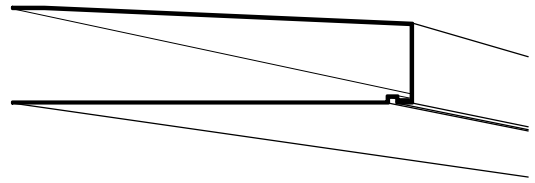
C-316

DEPTH: 4'-3"  
HEIGHT: 1'-6"



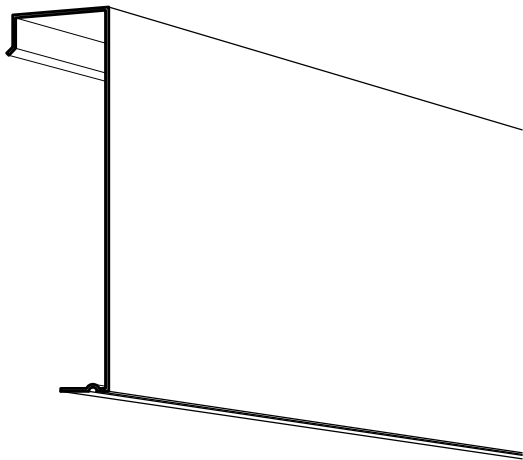
C-317

DEPTH: 4'-2"  
HEIGHT: 1'-0"



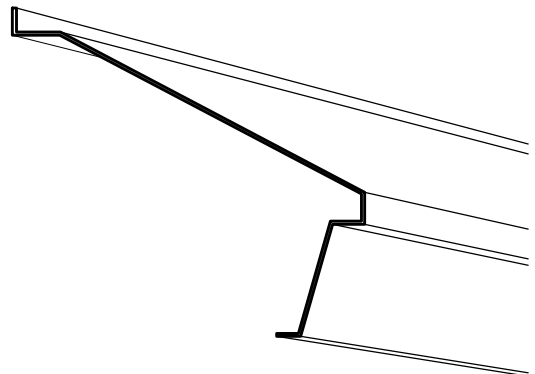
C-318

DEPTH: 6 3/8"  
HEIGHT: 2'-0"



C-319

DEPTH: 1'-10"  
HEIGHT: 1'-8 1/2"



CORNICE

SHEET NO.

**C-05**

2020

PROFILES

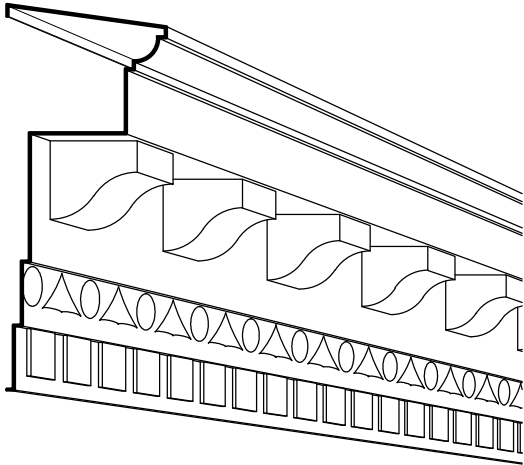


**ARCHITECTURAL FIBERGLASS, INC.**

8300 BESSEMER AVE., CLEVELAND, OHIO 44127-1839  
(216) 641-8300 - FAX:(216) 641-8150  
[www.fiberglass-afi.com](http://www.fiberglass-afi.com)

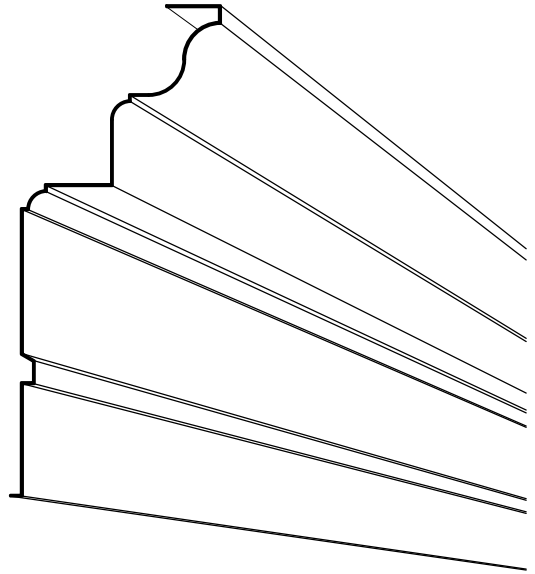
C-320

DEPTH: 1'-8"  
HEIGHT: 4'-0 1/4"



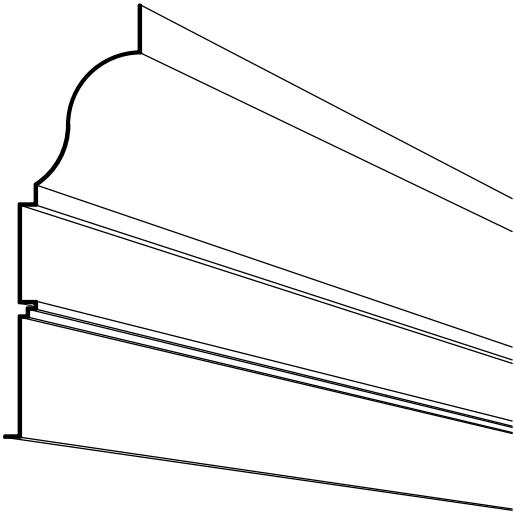
C-321

DEPTH: 2'-11"  
HEIGHT: 6'-9 3/4"



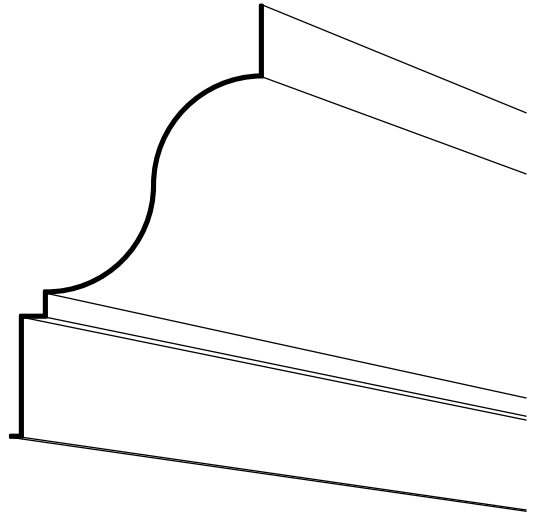
C-322

DEPTH: 1'-5"  
HEIGHT: 4'-6"



C-323

DEPTH: 1'-9"  
HEIGHT: 3'-0"



CORNICE

SHEET NO.

C-06

2020

PROFILES

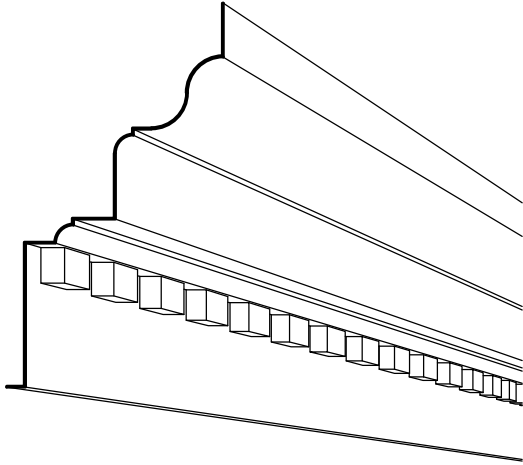


*ARCHITECTURAL FIBERGLASS, INC.*

8300 BESSEMER AVE., CLEVELAND, OHIO 44127-1839  
(216) 641-8300 - FAX:(216) 641-8150  
[www.fiberglass-afi.com](http://www.fiberglass-afi.com)

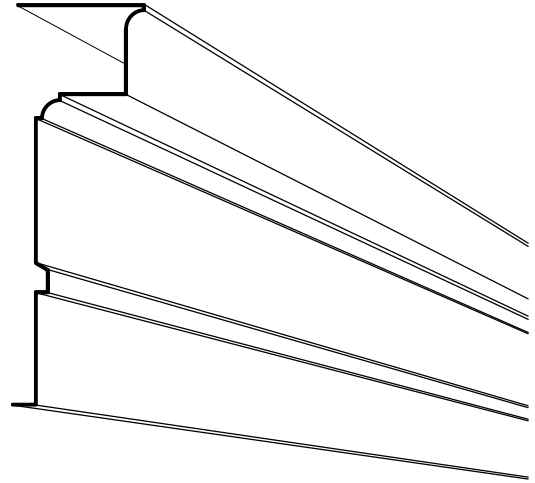
C-324

DEPTH: 3'-0 1/8"  
HEIGHT: 5'-4"  
S.F./L.F.: 8.033



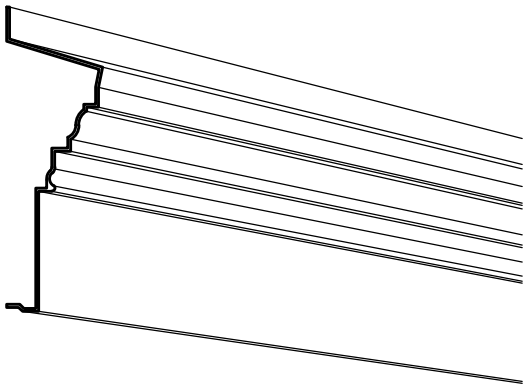
C-325

DEPTH: 1'-10"  
HEIGHT: 5'-6 3/4"



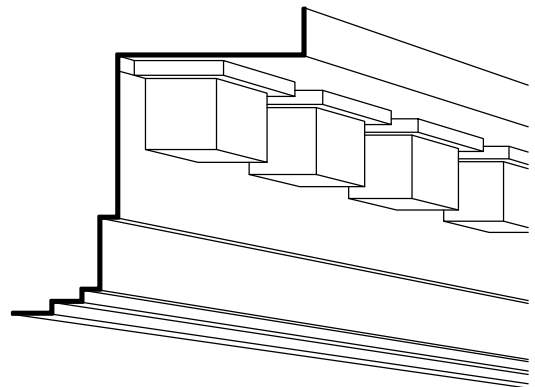
C-326

DEPTH: 6"  
HEIGHT: 1'-7"



C-327

DEPTH: 2'-0 3/8"  
HEIGHT: 2'-1 1/2"



CORNICE

SHEET NO.

**C-07**

2020

PROFILES

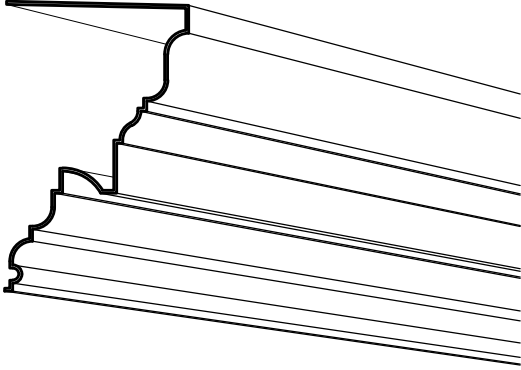


**ARCHITECTURAL FIBERGLASS, INC.**

8300 BESSEMER AVE., CLEVELAND, OHIO 44127-1839  
(216) 641-8300 - FAX:(216) 641-8150  
[www.fiberglass-afi.com](http://www.fiberglass-afi.com)

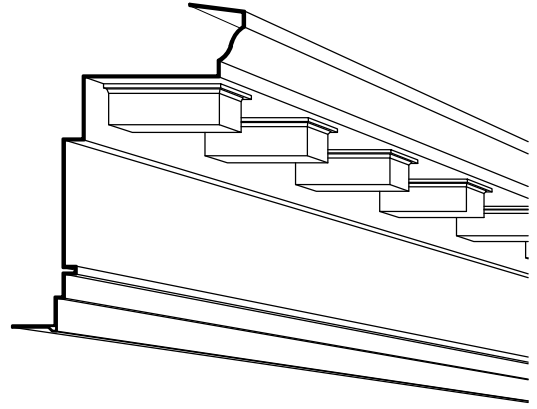
C-328

DEPTH: 11 1/2"  
HEIGHT: 1'-6 1/8"



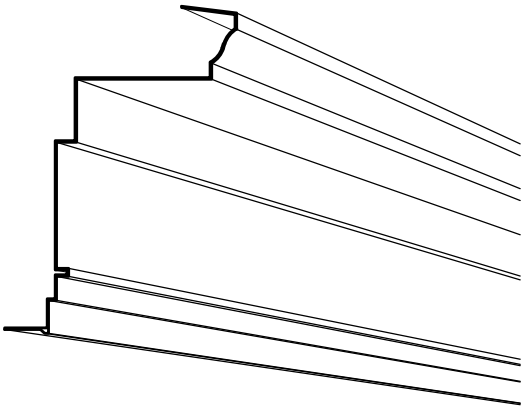
C-329

DEPTH: 2'-5"  
HEIGHT: 3'-4 7/8"



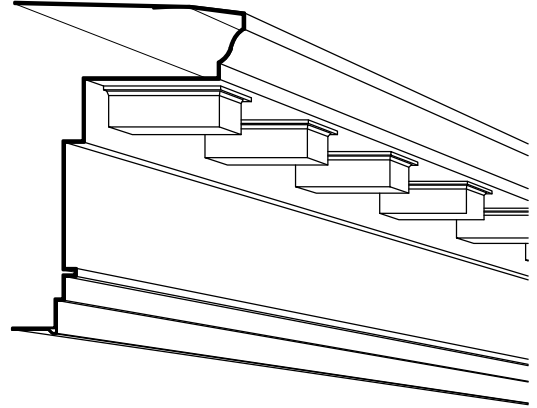
C-330

DEPTH: 2'-5"  
HEIGHT: 3'-4 7/8"



C-331

DEPTH: 2'-5"  
HEIGHT: 3'-5 3/8"



CORNICE

SHEET NO.

**C-08**

2020

PROFILES

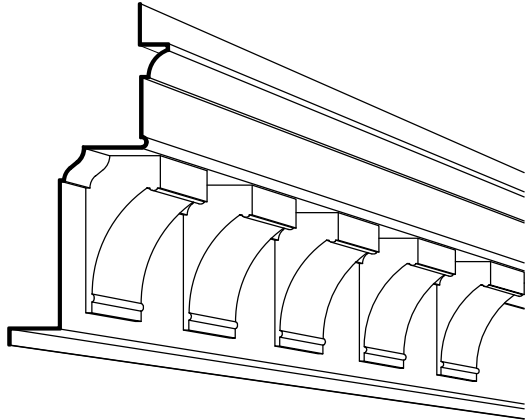


**ARCHITECTURAL FIBERGLASS, INC.**

8300 BESSEMER AVE., CLEVELAND, OHIO 44127-1839  
(216) 641-8300 - FAX:(216) 641-8150  
[www.fiberglass-afi.com](http://www.fiberglass-afi.com)

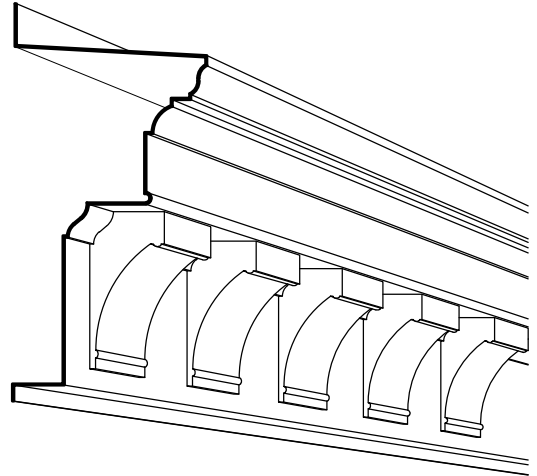
C-332

DEPTH: 1'-8"  
HEIGHT: 3'-6 3/4"



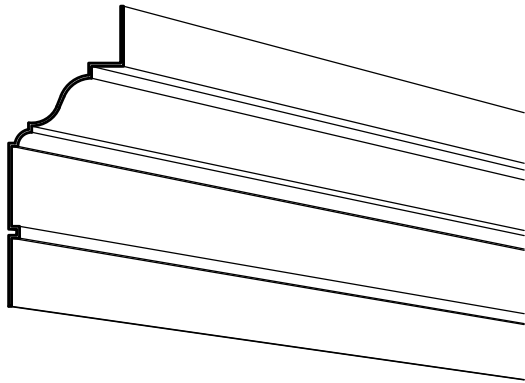
C-333

DEPTH: 2'-0 5/16"  
HEIGHT: 4'-1 11/16"



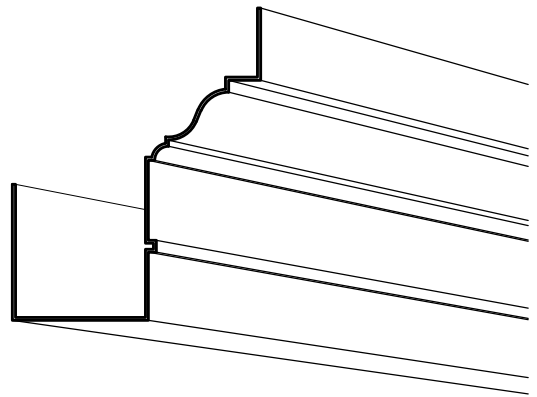
C-334

DEPTH: 7 3/16"  
HEIGHT: 1'-6 3/4"



C-335

DEPTH: 1'-3 1/2"  
HEIGHT: 1'-7 1/2"



CORNICE

SHEET NO.

**C-09**

2020

PROFILES

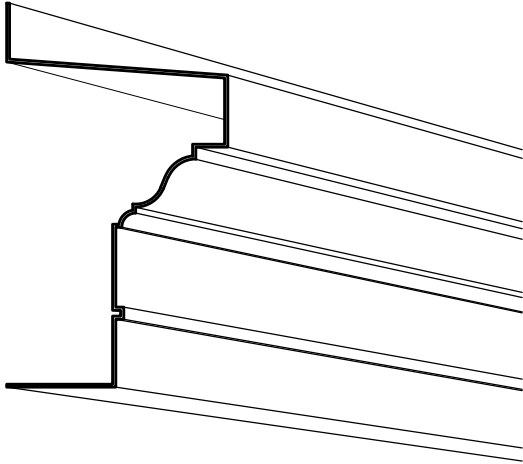


**ARCHITECTURAL FIBERGLASS, INC.**

8300 BESSEMER AVE., CLEVELAND, OHIO 44127-1839  
(216) 641-8300 - FAX:(216) 641-8150  
[www.fiberglass-afi.com](http://www.fiberglass-afi.com)

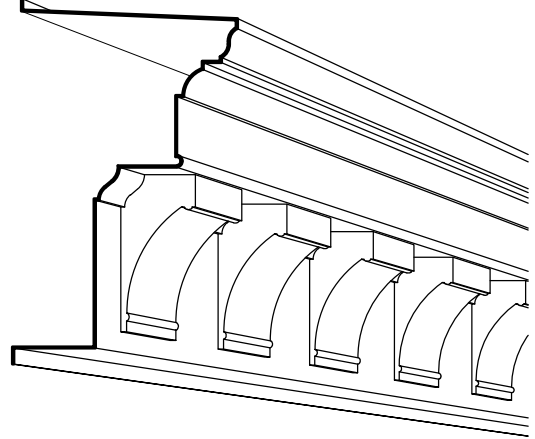
C-336

DEPTH: 1'-1 7/8"  
HEIGHT: 2'-0"



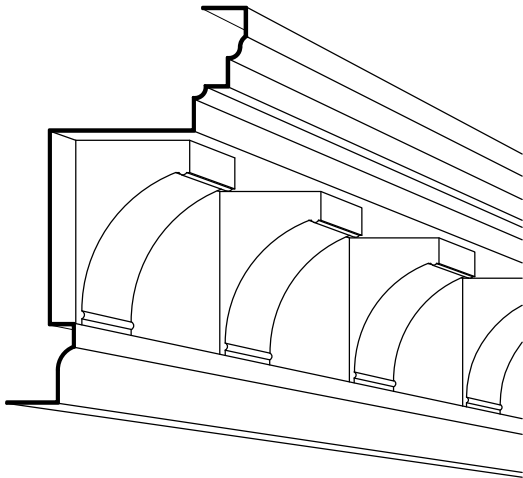
C-337

DEPTH: 2'-4 1/8"  
HEIGHT: 3'-9 5/8"



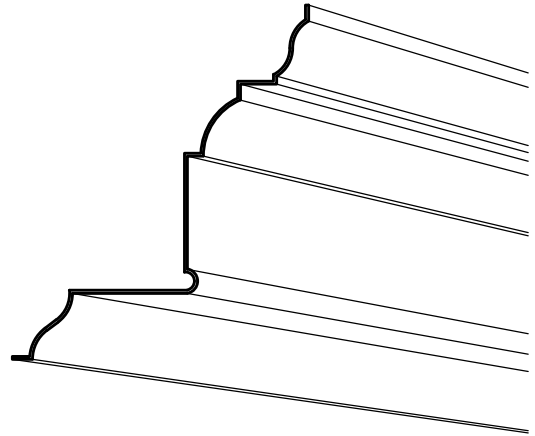
C-338

DEPTH: 2'-6"  
HEIGHT: 4'-1 1/2"



C-339

DEPTH: 1'-6 1/2"  
HEIGHT: 1'-10 1/8"



CORNICE

SHEET NO.

C-10

2020

PROFILES

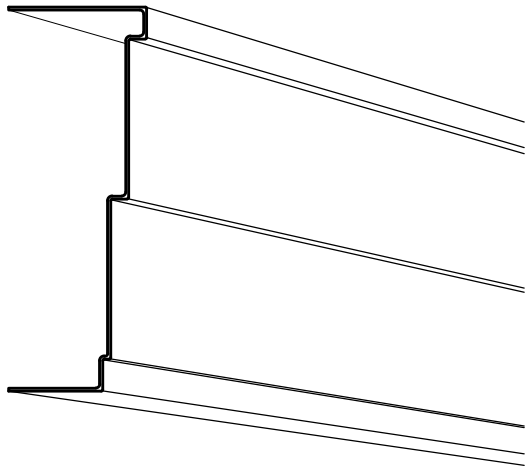


*ARCHITECTURAL FIBERGLASS, INC.*

8300 BESSEMER AVE., CLEVELAND, OHIO 44127-1839  
(216) 641-8300 - FAX:(216) 641-8150  
[www.fiberglass-afi.com](http://www.fiberglass-afi.com)

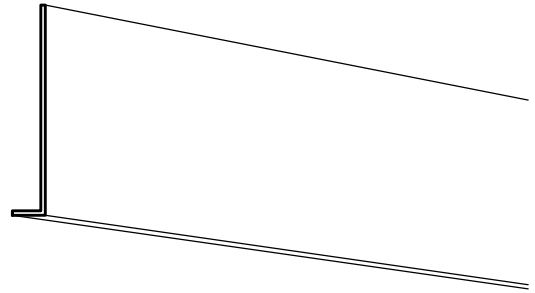
C-340

DEPTH: 8 5/8"  
HEIGHT: 2'-0"



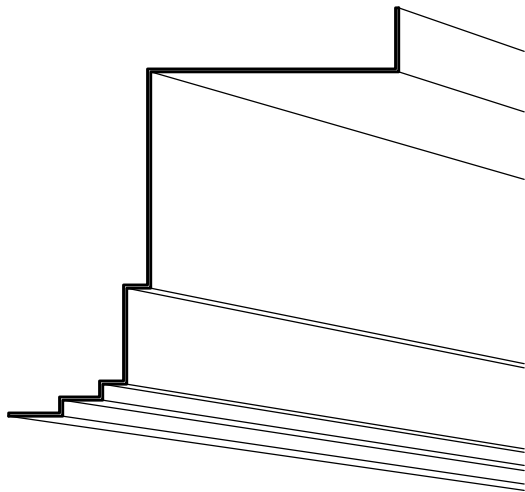
C-341

DEPTH: 1 3/8"  
HEIGHT: 8 3/4"



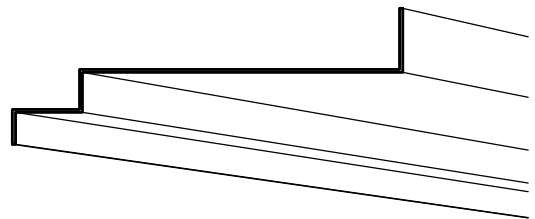
C-342

DEPTH: 2'-0 3/8"  
HEIGHT: 2'-1 1/2"



C-343

DEPTH: 2'-0 3/8"  
HEIGHT: 8 1/2"



CORNICE

SHEET NO.

**C-11**

2020

PROFILES

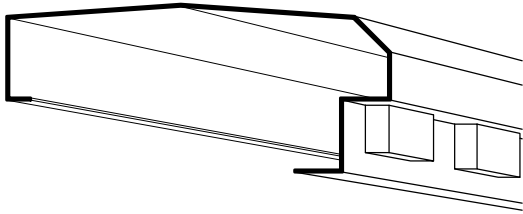


**ARCHITECTURAL FIBERGLASS, INC.**

8300 BESSEMER AVE., CLEVELAND, OHIO 44127-1839  
(216) 641-8300 - FAX:(216) 641-8150  
[www.fiberglass-afi.com](http://www.fiberglass-afi.com)

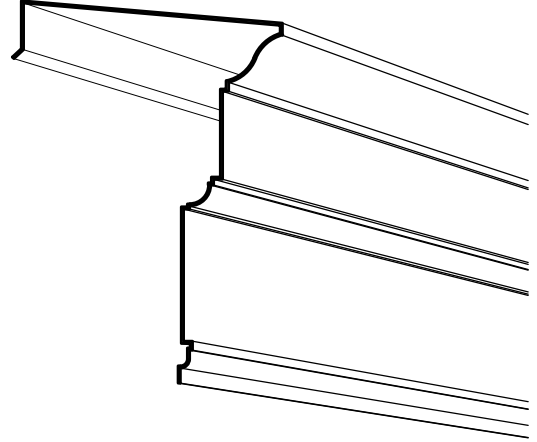
C-344

DEPTH: 2'-8"  
HEIGHT: 1'-2"



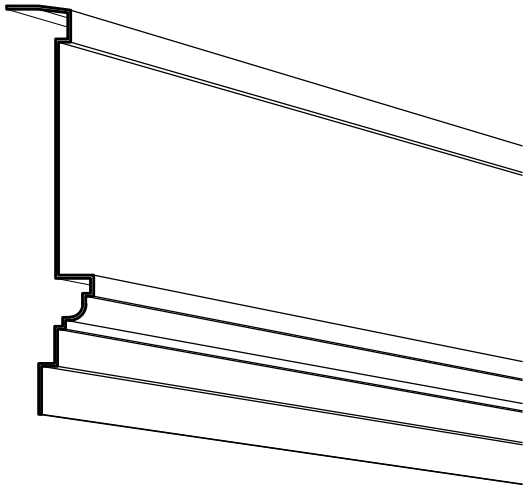
C-345

DEPTH: 1'-10 1/2"  
HEIGHT: 2'-7 7/8"



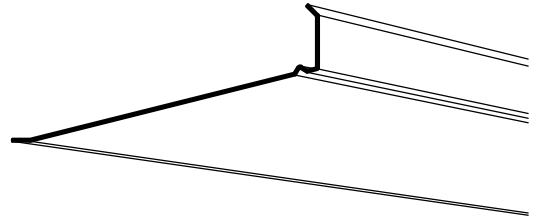
C-346

DEPTH: 5 7/16"  
HEIGHT: 2'-1 1/2"



C-347

DEPTH: 2'-1 1/2"  
HEIGHT: 11 3/8"



CORNICE

SHEET NO.

C-12

2020

PROFILES



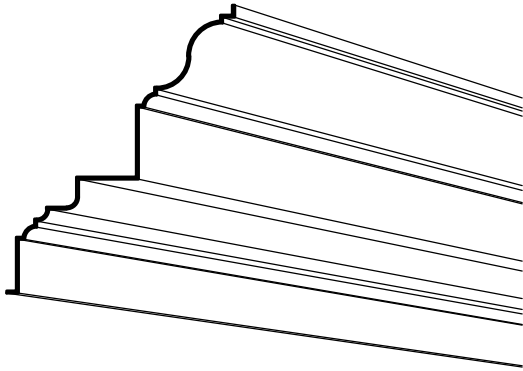
*ARCHITECTURAL FIBERGLASS, INC.*

8300 BESSEMER AVE., CLEVELAND, OHIO 44127-1839  
(216) 641-8300 - FAX:(216) 641-8150  
www.fiberglass-afi.com



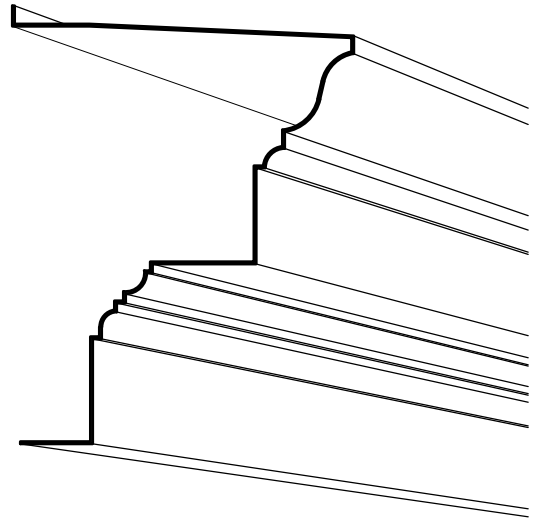
C-348

DEPTH: 1'-7"  
HEIGHT: 2'-0"



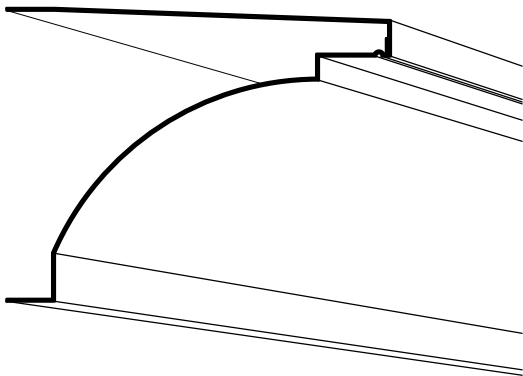
C-349

DEPTH: 2'-4 7/16"  
HEIGHT: 3'-0 1/2"



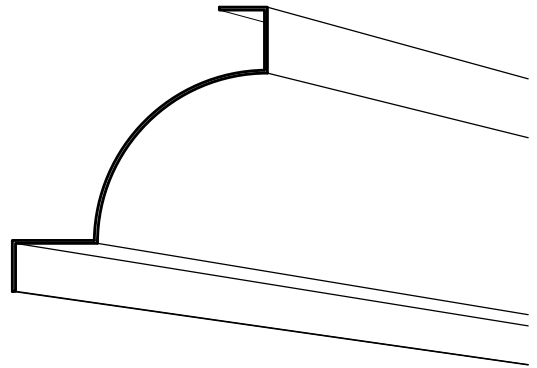
C-350

DEPTH: 2'-8"  
HEIGHT: 2'-0 7/16"



C-351

DEPTH: 1'-3 15/16"  
HEIGHT: 1'-5 3/4"



CORNICE

SHEET NO.

C-13

2020

PROFILES

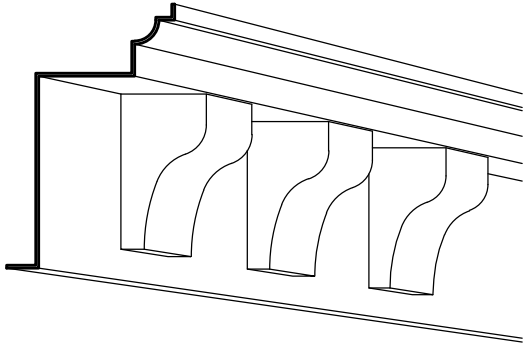


*ARCHITECTURAL FIBERGLASS, INC.*

8300 BESSEMER AVE., CLEVELAND, OHIO 44127-1839  
(216) 641-8300 - FAX:(216) 641-8150  
[www.fiberglass-afi.com](http://www.fiberglass-afi.com)

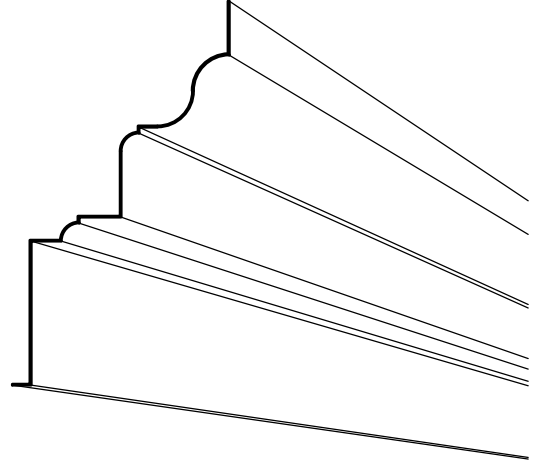
C-352

DEPTH: 10 1/2"  
HEIGHT: 1'-4 1/2"



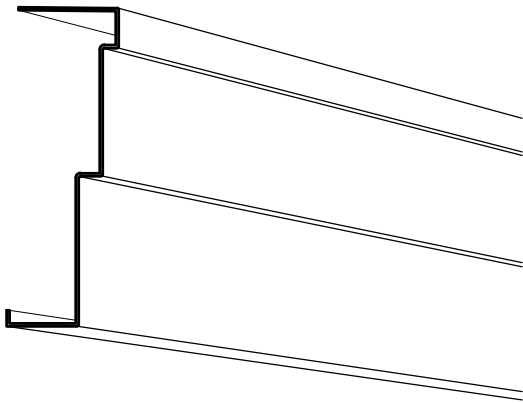
C-353

DEPTH: 3'-0 1/8"  
HEIGHT: 5'-4"



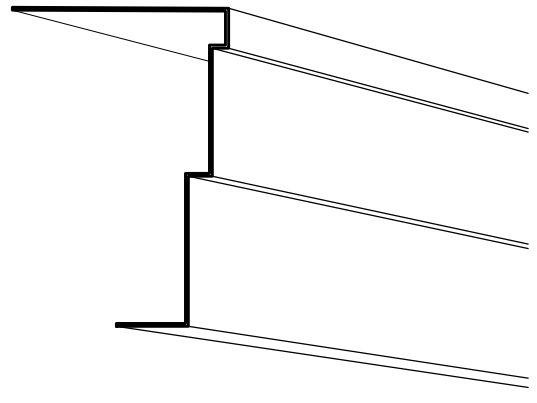
C-354

DEPTH: 7"  
HEIGHT: 1'-7 15/16"



C-355

DEPTH: 1'-1 1/2"  
HEIGHT: 1'-7 15/16"



CORNICE

SHEET NO.

**C-14**

2020

PROFILES

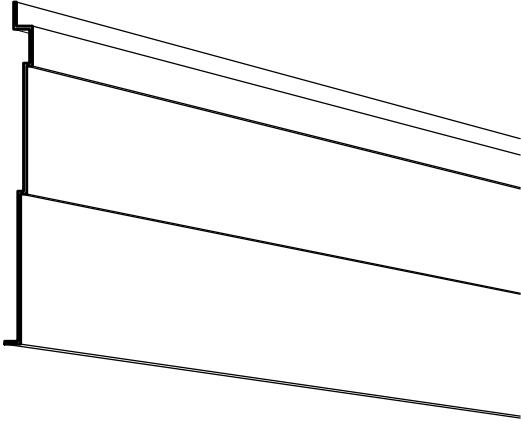


**ARCHITECTURAL FIBERGLASS, INC.**

8300 BESSEMER AVE., CLEVELAND, OHIO 44127-1839  
(216) 641-8300 - FAX:(216) 641-8150  
[www.fiberglass-afi.com](http://www.fiberglass-afi.com)

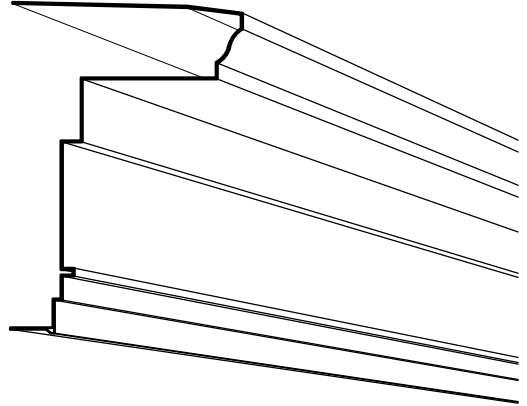
C-356

DEPTH: 1 3/4"  
HEIGHT: 1'-9 3/8"



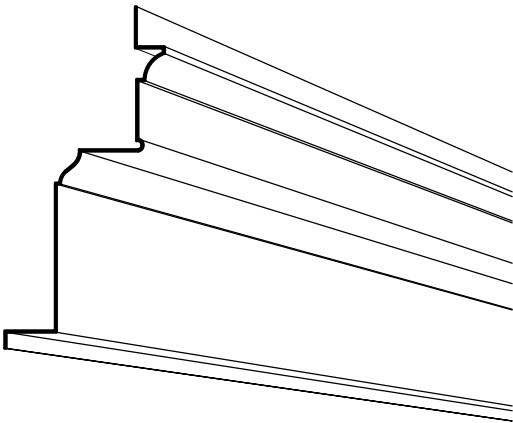
C-357

DEPTH: 2'-5"  
HEIGHT: 3'-5 3/8"



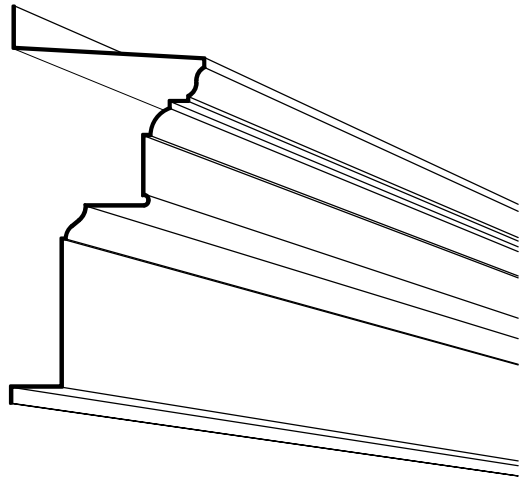
C-358

DEPTH: 1'-8"  
HEIGHT: 3'-6 11/16"



C-359

DEPTH: 2'-0 5/16"  
HEIGHT: 4'-1 11/16"



CORNICE

SHEET NO.

**C-15**

2020

PROFILES

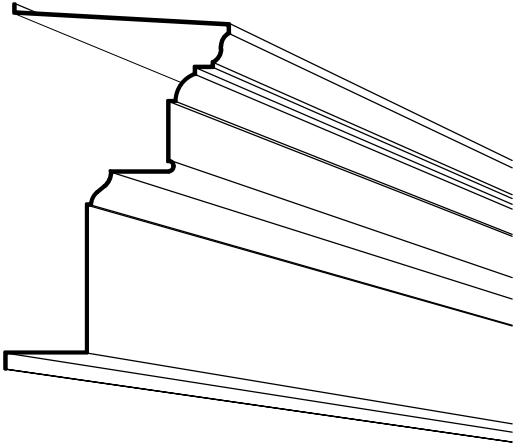


**ARCHITECTURAL FIBERGLASS, INC.**

8300 BESSEMER AVE., CLEVELAND, OHIO 44127-1839  
(216) 641-8300 - FAX:(216) 641-8150  
[www.fiberglass-afi.com](http://www.fiberglass-afi.com)

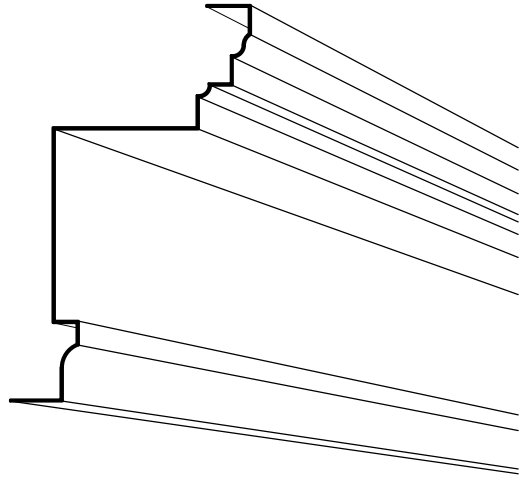
C-360

DEPTH: 2'-4 1/8"  
HEIGHT: 3'-9 11/16"



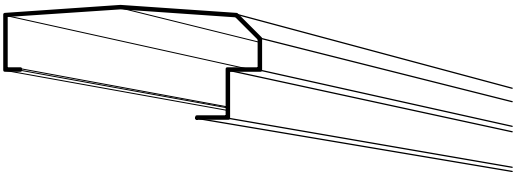
C-361

DEPTH: 2'-6"  
HEIGHT: 4'-1 1/2"



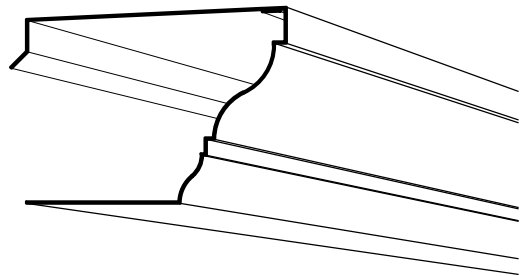
C-362

DEPTH: 2'-8"  
HEIGHT: 1'-2"



C-363

DEPTH: 2'-10 1/2"  
HEIGHT: 2'-0 1/2"



CORNICE

SHEET NO.

**C-16**

2020

PROFILES

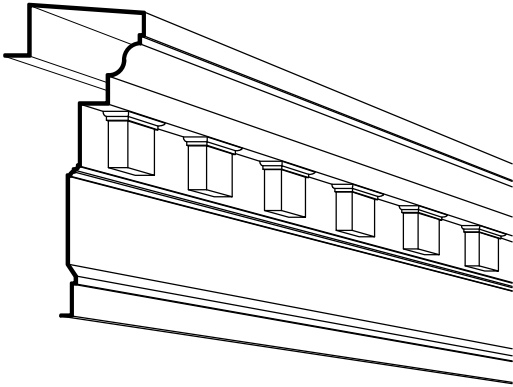


**ARCHITECTURAL FIBERGLASS, INC.**

8300 BESSEMER AVE., CLEVELAND, OHIO 44127-1839  
(216) 641-8300 - FAX:(216) 641-8150  
[www.fiberglass-afi.com](http://www.fiberglass-afi.com)

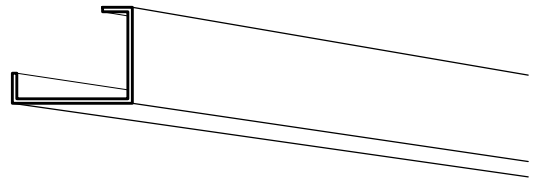
C-364

DEPTH: 1'-5 1/2"  
HEIGHT: 3'-3"



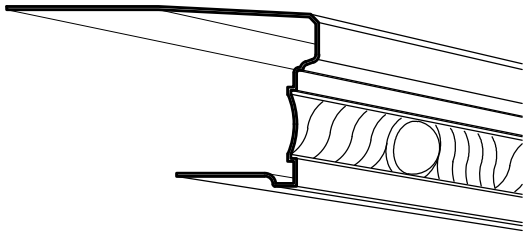
C-365

DEPTH: 5"  
HEIGHT: 4"



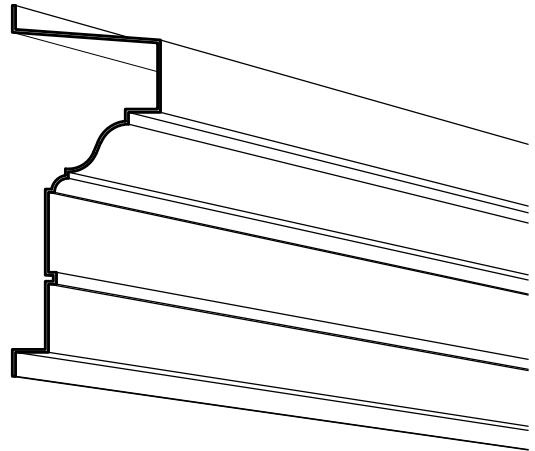
C-366

DEPTH: 1'-7 1/2"  
HEIGHT: 11 1/4"



C-367

DEPTH: 9 1/4"  
HEIGHT: 1'-11 3/16"



CORNICE

SHEET NO.

C-17

2020

PROFILES

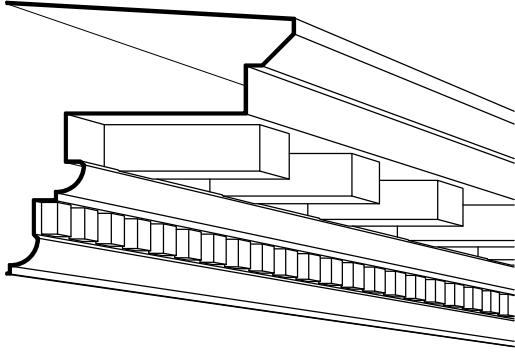


*ARCHITECTURAL FIBERGLASS, INC.*

8300 BESSEMER AVE., CLEVELAND, OHIO 44127-1839  
(216) 641-8300 - FAX:(216) 641-8150  
www.fiberglass-afi.com

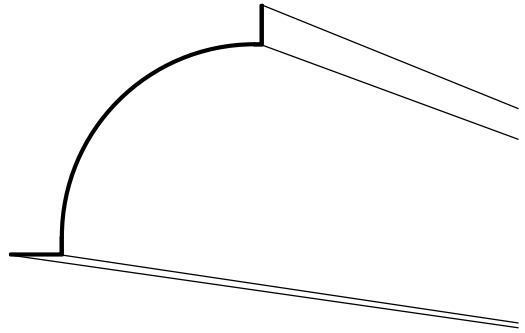
C-368

DEPTH: 3'-0"  
HEIGHT: 2'-10"



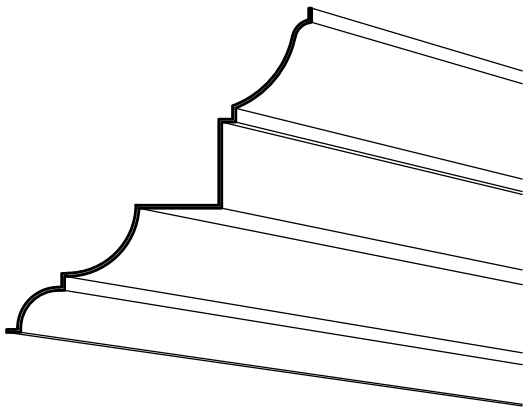
C-369

DEPTH: 2'-7 1/2"  
HEIGHT: 2'-7 1/4"



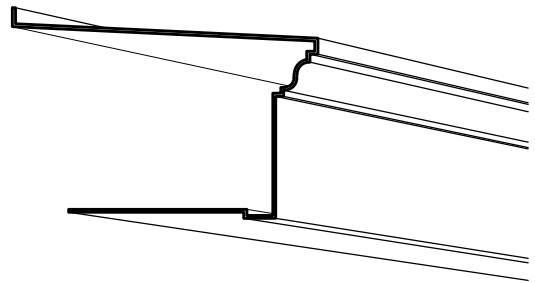
C-370

DEPTH: 1'-7 1/16"  
HEIGHT: 1'-8 1/4"



C-371

DEPTH: 1'-7 1/16"  
HEIGHT: 1'-1 1/8"



CORNICE

SHEET NO.

**C-18**

2020

PROFILES

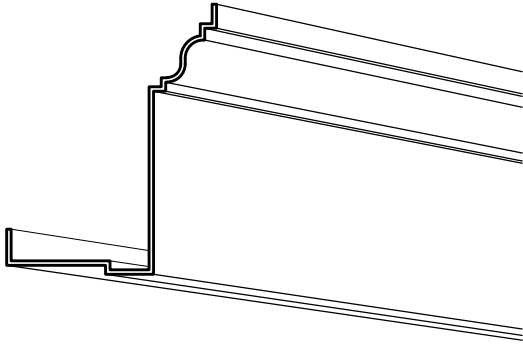


**ARCHITECTURAL FIBERGLASS, INC.**

8300 BESSEMER AVE., CLEVELAND, OHIO 44127-1839  
(216) 641-8300 - FAX:(216) 641-8150  
[www.fiberglass-afi.com](http://www.fiberglass-afi.com)

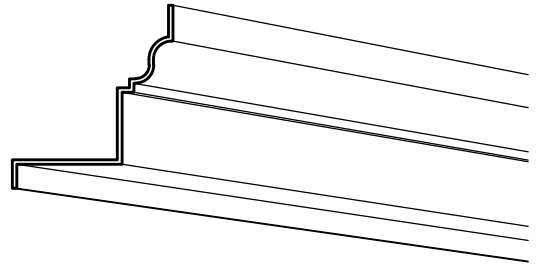
C-372

DEPTH: 8 3/4"  
HEIGHT: 11 1/4"



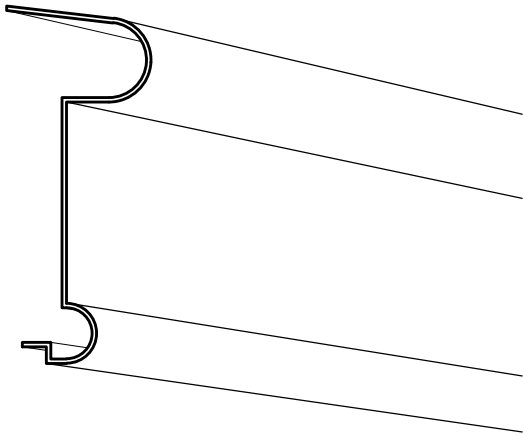
C-373

DEPTH: 6 11/16"  
HEIGHT: 7 5/8"



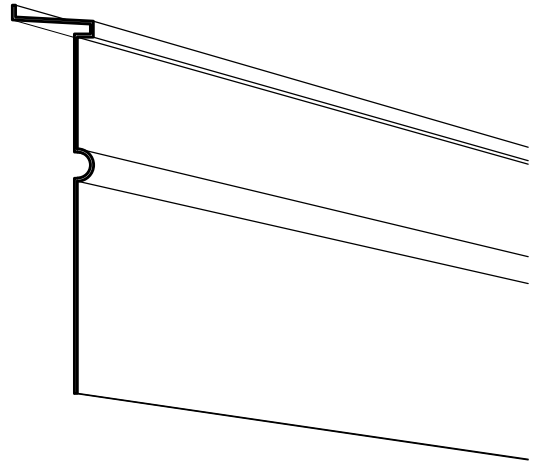
C-374

DEPTH: 6"  
HEIGHT: 1'-2 7/8"



C-375

DEPTH: 5 1/16"  
HEIGHT: 2'-0 1/4"



CORNICE

SHEET NO.

**C-19**

2020

PROFILES

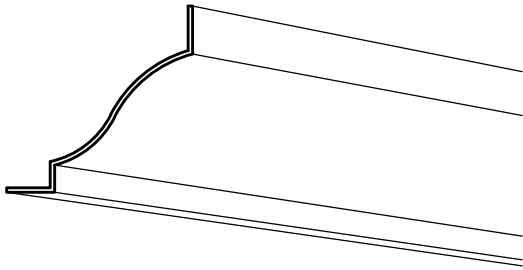


**ARCHITECTURAL FIBERGLASS, INC.**

8300 BESSEMER AVE., CLEVELAND, OHIO 44127-1839  
(216) 641-8300 - FAX:(216) 641-8150  
[www.fiberglass-afi.com](http://www.fiberglass-afi.com)

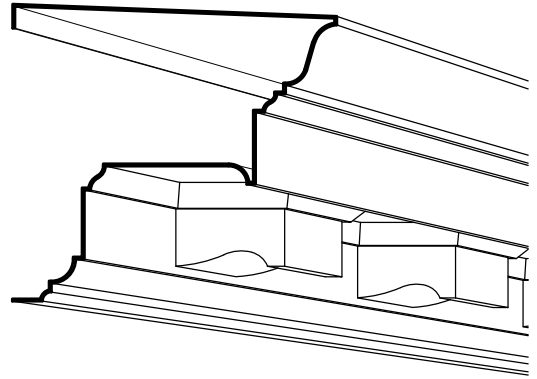
C-376

DEPTH: 7 3/4"  
HEIGHT: 7 3/4"



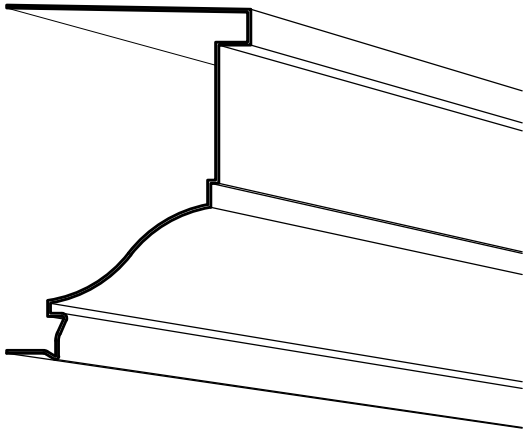
C-377

DEPTH: 2'-3"  
HEIGHT: 2'-0 3/4"



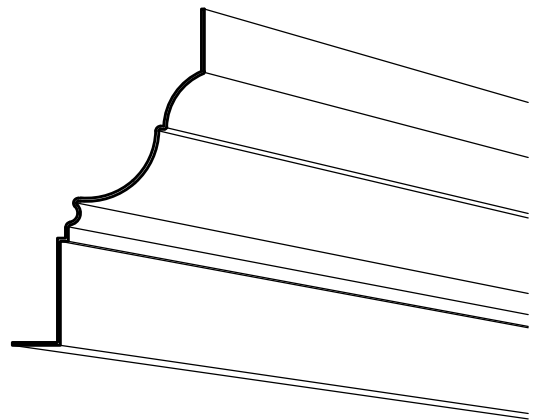
C-378

DEPTH: 1'-3 1/4"  
HEIGHT: 1'-10 1/8"



C-379

DEPTH: 1'-0"  
HEIGHT: 1'-9"



CORNICE

SHEET NO.

**C-20**

2020

PROFILES



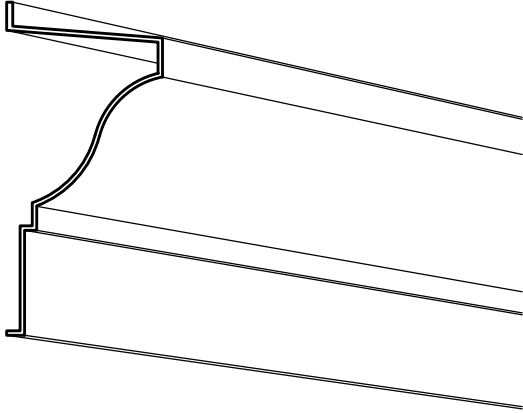
**ARCHITECTURAL FIBERGLASS, INC.**

8300 BESSEMER AVE., CLEVELAND, OHIO 44127-1839  
(216) 641-8300 - FAX:(216) 641-8150  
[www.fiberglass-afi.com](http://www.fiberglass-afi.com)



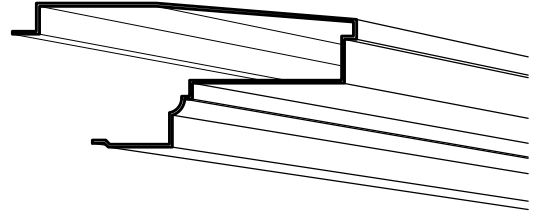
C-380

DEPTH: 6 1/2"  
HEIGHT: 1'-1 7/8"



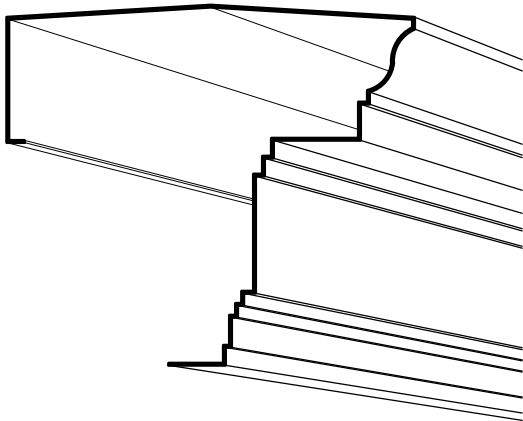
C-381

DEPTH: 1'-9 1/2"  
HEIGHT: 9"



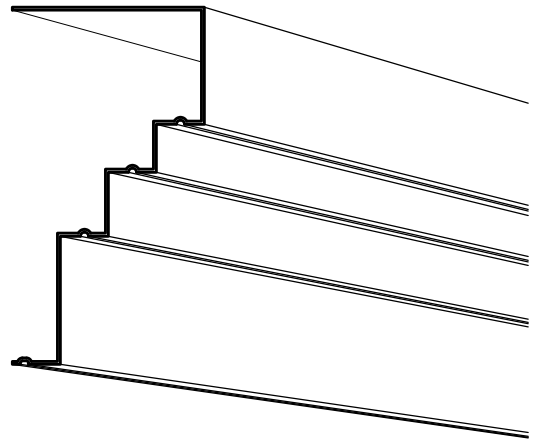
C-382

DEPTH: 2'-10"  
HEIGHT: 2'-5"



C-383

DEPTH: 1'-0"  
HEIGHT: 1'-10 5/16"



CORNICE

SHEET NO.

**C-21**

2020

PROFILES

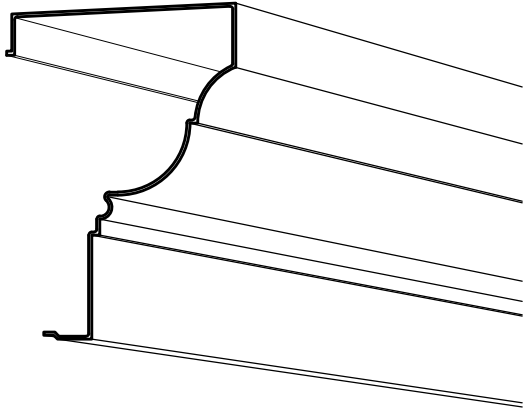


**ARCHITECTURAL FIBERGLASS, INC.**

8300 BESSEMER AVE., CLEVELAND, OHIO 44127-1839  
(216) 641-8300 - FAX:(216) 641-8150  
[www.fiberglass-afi.com](http://www.fiberglass-afi.com)

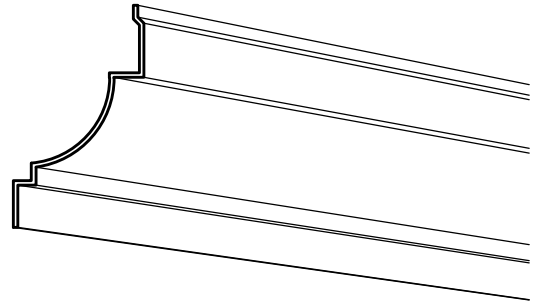
C-384

DEPTH: 1'-2"  
HEIGHT: 1'-9"



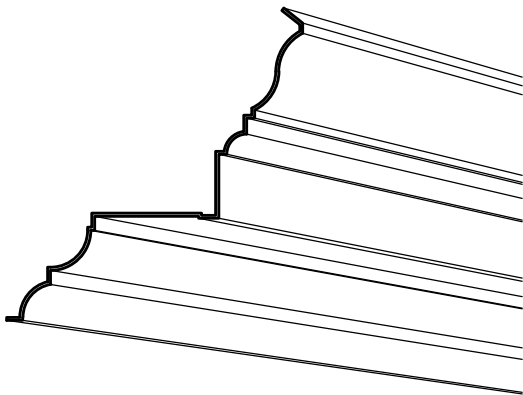
C-385

DEPTH: 5 7/16"  
HEIGHT: 9 1/4"



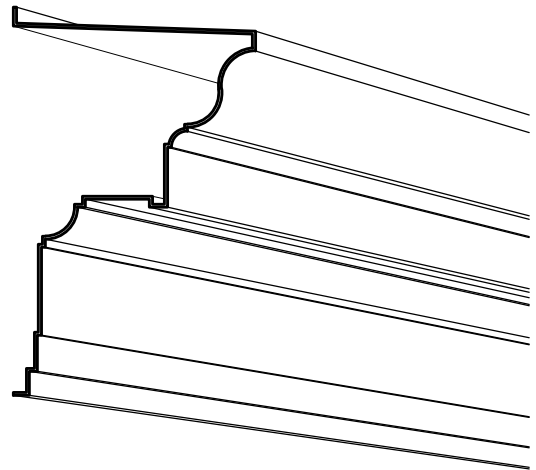
C-386

DEPTH: 1'-6 1/2"  
HEIGHT: 1'-7 1/2"



C-387

DEPTH: 1'-3 1/8"  
HEIGHT: 2'-0 1/4"



CORNICE

SHEET NO.

**C-22**

2020

PROFILES

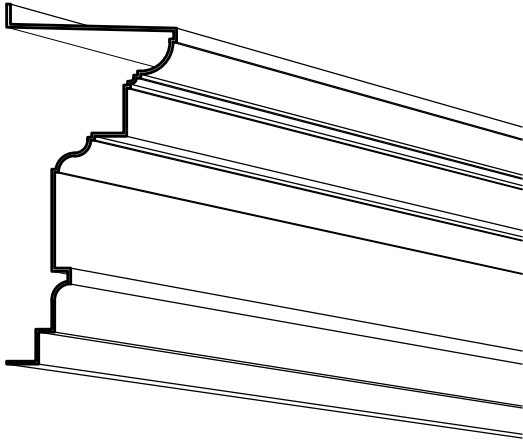


**ARCHITECTURAL FIBERGLASS, INC.**

8300 BESSEMER AVE., CLEVELAND, OHIO 44127-1839  
(216) 641-8300 - FAX:(216) 641-8150  
[www.fiberglass-afi.com](http://www.fiberglass-afi.com)

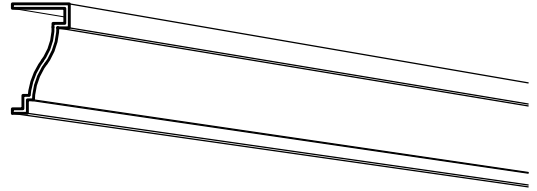
C-388

DEPTH: 10 5/8"  
HEIGHT: 1'-10 1/2"



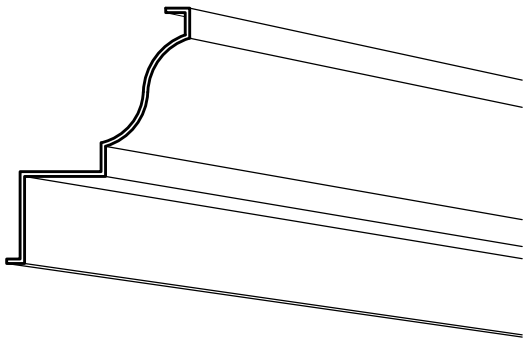
C-389

DEPTH: 2 3/8"  
HEIGHT: 4 9/16"



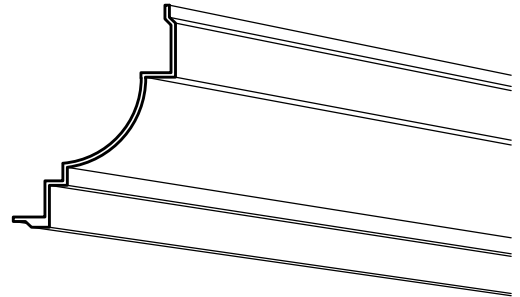
C-390

DEPTH: 7 5/8"  
HEIGHT: 10 5/8"



C-391

DEPTH: 6 3/4"  
HEIGHT: 9 1/4"



CORNICE

SHEET NO.

**C-23**

2020

PROFILES

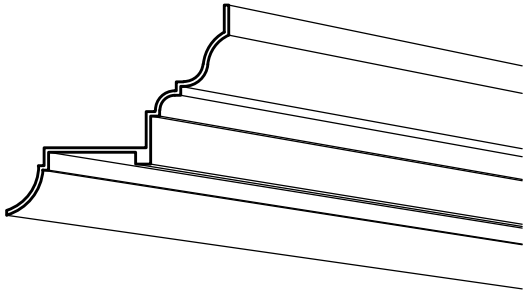


**ARCHITECTURAL FIBERGLASS, INC.**

8300 BESSEMER AVE., CLEVELAND, OHIO 44127-1839  
(216) 641-8300 - FAX:(216) 641-8150  
[www.fiberglass-afi.com](http://www.fiberglass-afi.com)

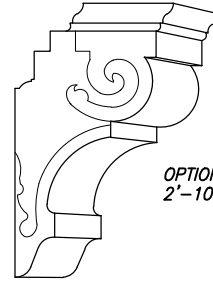
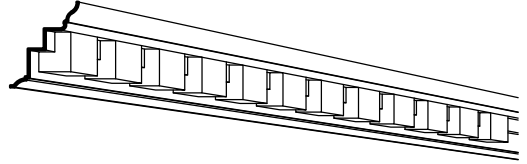
C-392

DEPTH: 9 1/4"  
HEIGHT: 8 3/4"



C-393

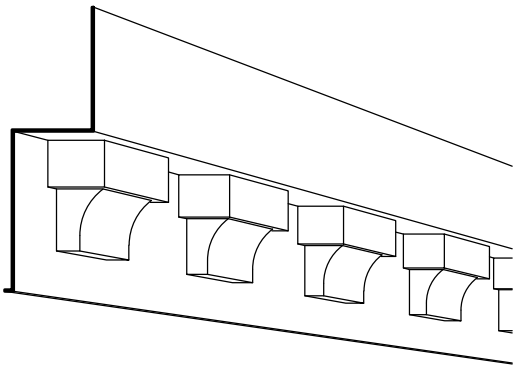
DEPTH: 8 1/2"  
HEIGHT: 10 5/8"



OPTIONAL BRACKET  
2'-10" H x 8" W x 1'-8" D

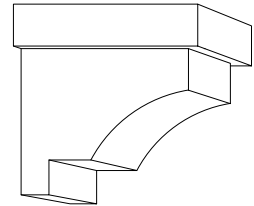
C-394

DEPTH: 11 1/8"  
HEIGHT: 2'-11 1/2"

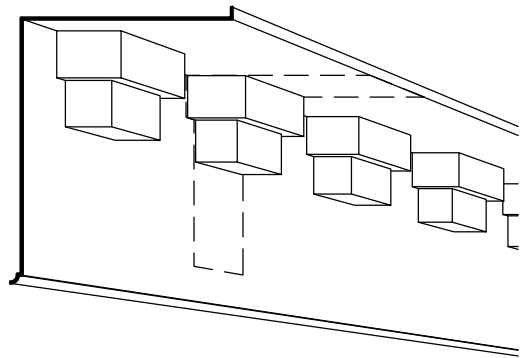


C-395

DEPTH: 2'-3 3/4"  
HEIGHT: 2'-10 1/2"



OPTIONAL BRACKET  
2'-3" H x 8" W x 2'-2 1/4" D



CORNICE

SHEET NO.

C-24

2020

PROFILES

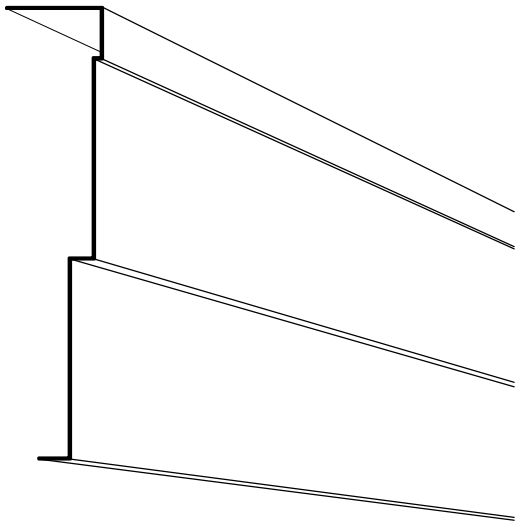


*ARCHITECTURAL FIBERGLASS, INC.*

8300 BESSEMER AVE., CLEVELAND, OHIO 44127-1839  
(216) 641-8300 - FAX:(216) 641-8150  
www.fiberglass-afi.com

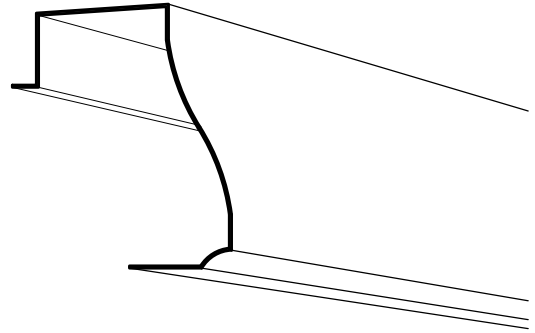
C-396

DEPTH: 1'-0"  
HEIGHT: 4'-8 1/2"



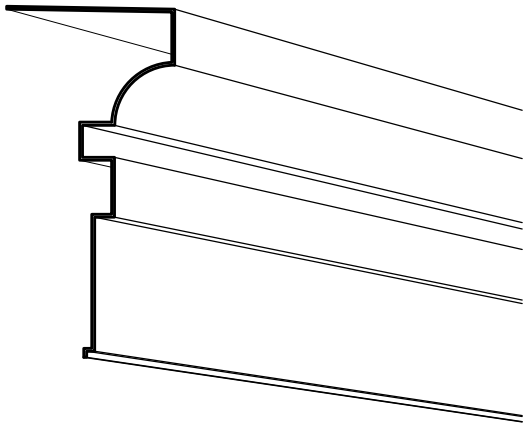
C-397

DEPTH: 1'-6 1/4"  
HEIGHT: 1'-10"



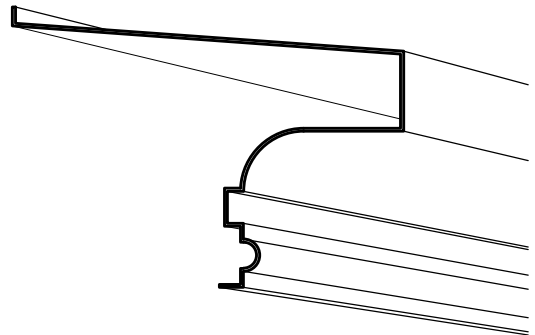
C-398

DEPTH: 10 1/2"  
HEIGHT: 1'-9 15/16"



C-399

DEPTH: 2'-0 7/16"  
HEIGHT: 1'-5 1/2"



CORNICE

SHEET NO.

**C-25**

2020

PROFILES

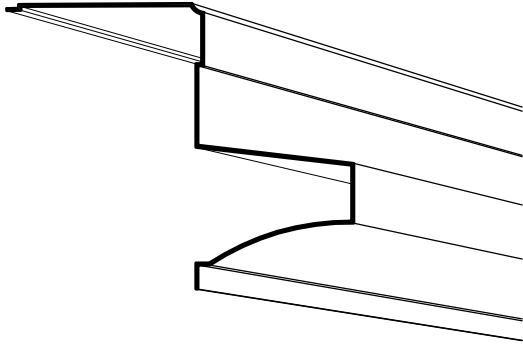


**ARCHITECTURAL FIBERGLASS, INC.**

8300 BESSEMER AVE., CLEVELAND, OHIO 44127-1839  
(216) 641-8300 - FAX:(216) 641-8150  
[www.fiberglass-afi.com](http://www.fiberglass-afi.com)

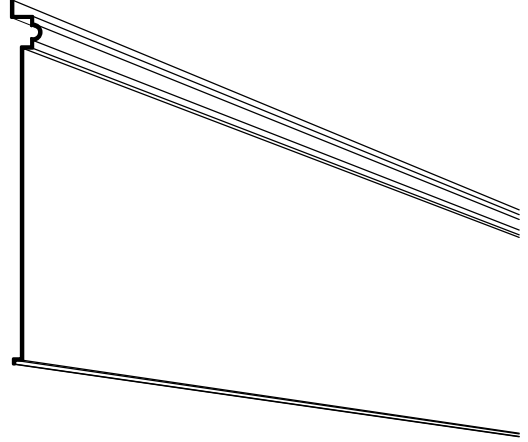
C-400

DEPTH: 2'-4 15/16"  
HEIGHT: 1'-11 13/16"



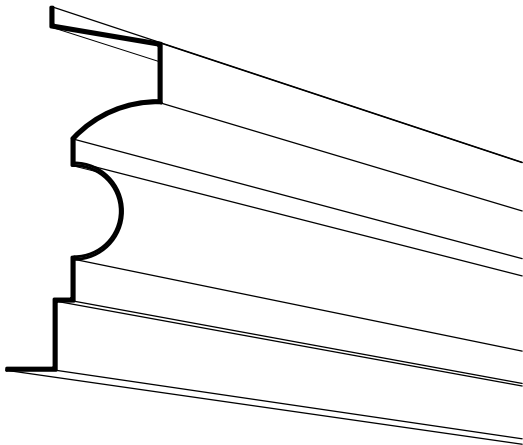
C-401

DEPTH: 3 11/16"  
HEIGHT: 3'-9 1/2"



C-402

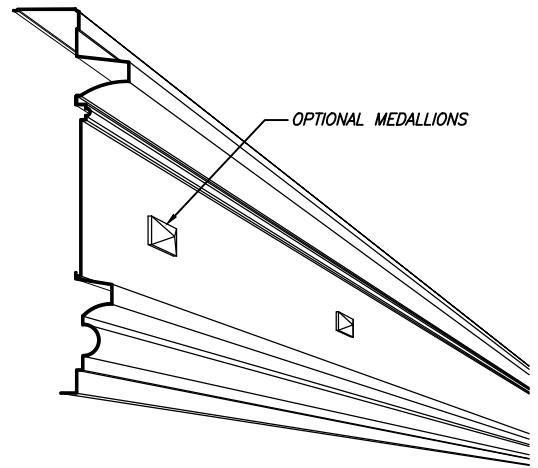
DEPTH: 1'-0 7/8"  
HEIGHT: 2'-6 1/4"



C-403

DEPTH: 2'-4 15/16"  
HEIGHT: 8'-0 1/8"

3-PIECE ASSEMBLY:  
C-400, C-401, C-402



CORNICE

SHEET NO.

**C-26**

2020

PROFILES

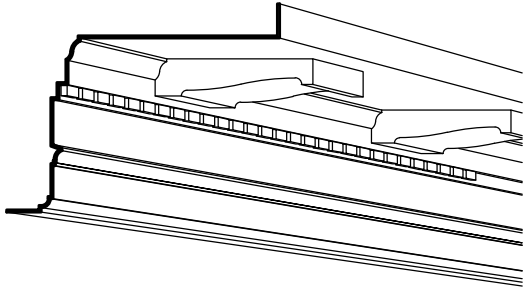


**ARCHITECTURAL FIBERGLASS, INC.**

8300 BESSEMER AVE., CLEVELAND, OHIO 44127-1839  
(216) 641-8300 - FAX:(216) 641-8150  
www.fiberglass-afi.com

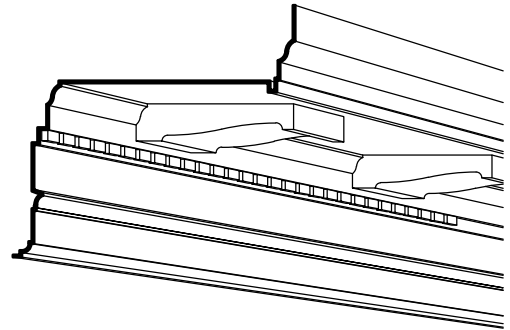
C-404

DEPTH: 1'-10 3/4"  
HEIGHT: 1'-5 3/8"



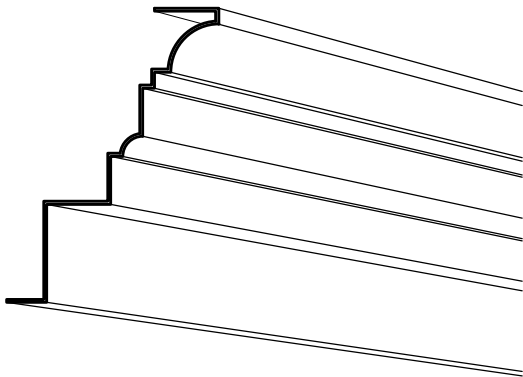
C-405

DEPTH: 1'-11 1/2"  
HEIGHT: 1'-9"



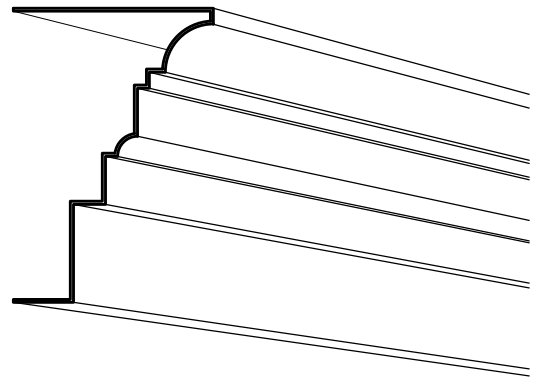
C-406

DEPTH: 1'-1 1/4"  
HEIGHT: 1'-6 3/8"



C-407

DEPTH: 1'-0 1/2"  
HEIGHT: 1'-6 3/8"



CORNICE

SHEET NO.

**C-27**

2020

PROFILES

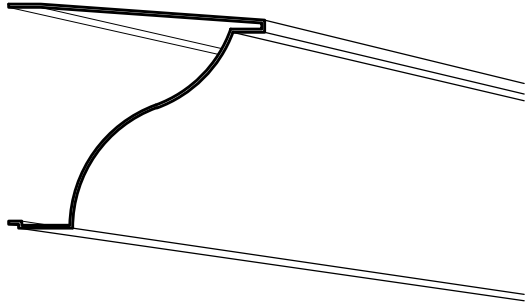


**ARCHITECTURAL FIBERGLASS, INC.**

8300 BESSEMER AVE., CLEVELAND, OHIO 44127-1839  
(216) 641-8300 - FAX:(216) 641-8150  
[www.fiberglass-afi.com](http://www.fiberglass-afi.com)

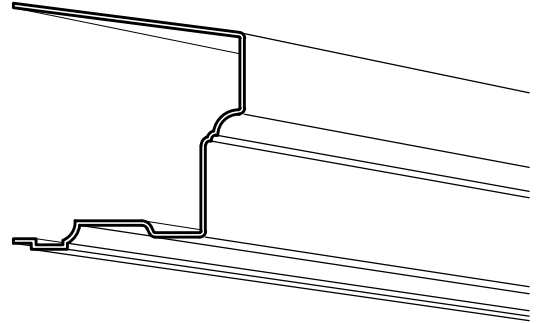
C-408

DEPTH: 1'-4"  
HEIGHT: 1'-2"



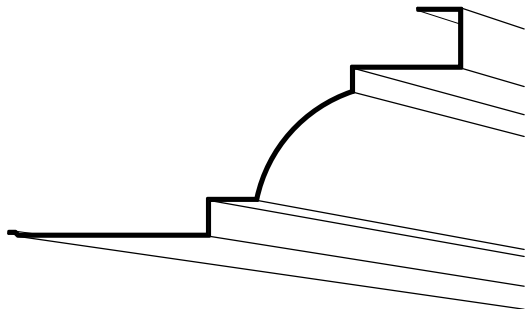
C-409

DEPTH: 9 5/8"  
HEIGHT: 10 1/4"



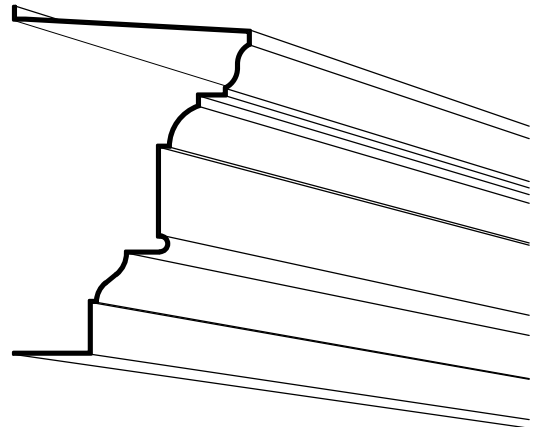
C-410

DEPTH: 3'-1 3/4"  
HEIGHT: 1'-7"



C-411

DEPTH: 1'-7 3/4"  
HEIGHT: 2'-5"



CORNICE

SHEET NO.

**C-28**

2020

PROFILES



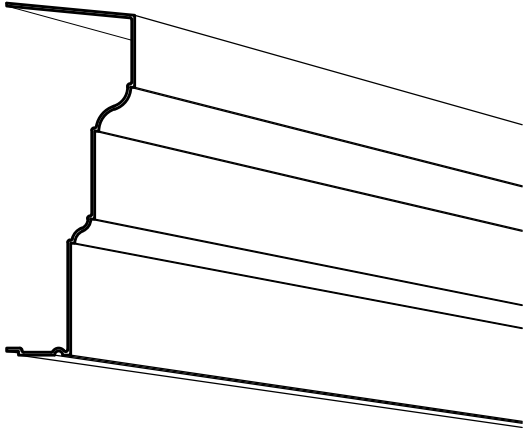
**ARCHITECTURAL FIBERGLASS, INC.**

8300 BESSEMER AVE., CLEVELAND, OHIO 44127-1839  
(216) 641-8300 - FAX:(216) 641-8150  
[www.fiberglass-afi.com](http://www.fiberglass-afi.com)



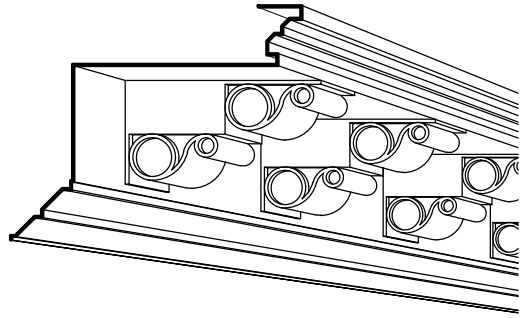
C-412

DEPTH: 8"  
HEIGHT: 1'-10"



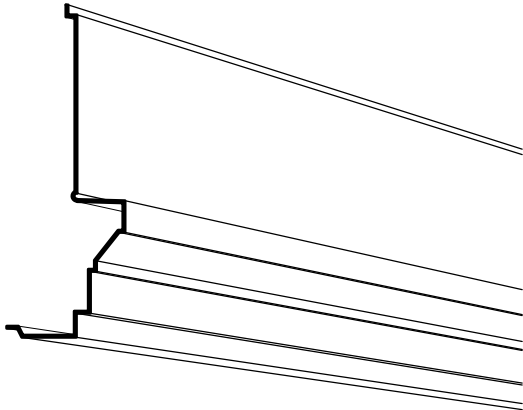
C-413

DEPTH: 3'-0 7/16"  
HEIGHT: 2'-5 5/16"



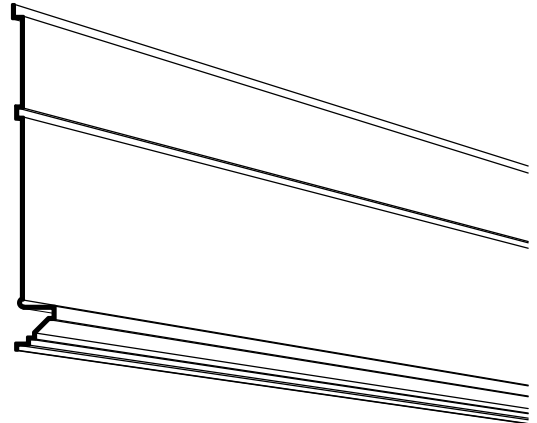
C-414

DEPTH: 9 7/8"  
HEIGHT: 2'-3 11/16"



C-415

DEPTH: 3 9/16"  
HEIGHT: 2'-4 13/16"



CORNICE

SHEET NO.

C-29

2020

PROFILES



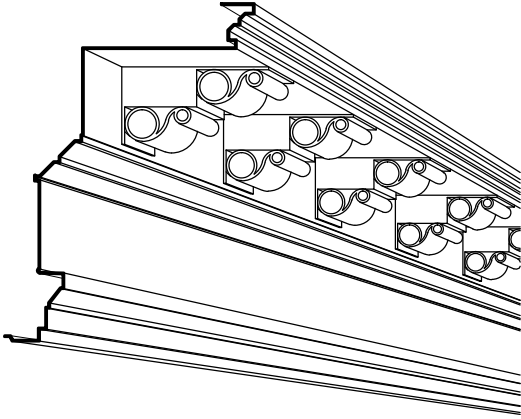
*ARCHITECTURAL FIBERGLASS, INC.*

8300 BESSEMER AVE., CLEVELAND, OHIO 44127-1839  
(216) 641-8300 - FAX:(216) 641-8150  
[www.fiberglass-afi.com](http://www.fiberglass-afi.com)

C-416

DEPTH: 3'-5 5/8"  
HEIGHT: 4'-8 1/4"

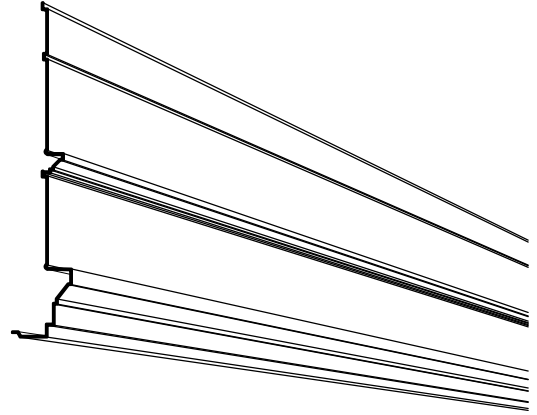
2-PIECE ASSEMBLY:  
C-413, C-414



C-417

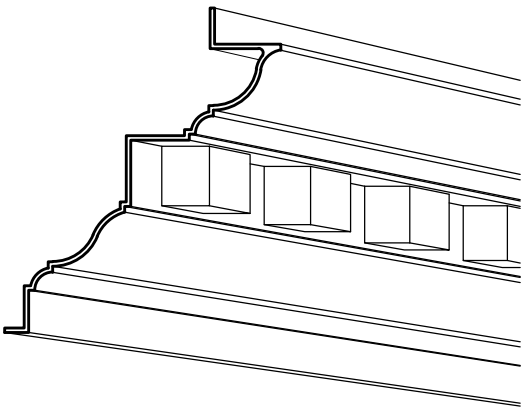
DEPTH: 9 7/8"  
HEIGHT: 4'-7 3/4"

2-PIECE ASSEMBLY:  
C-414, C-415



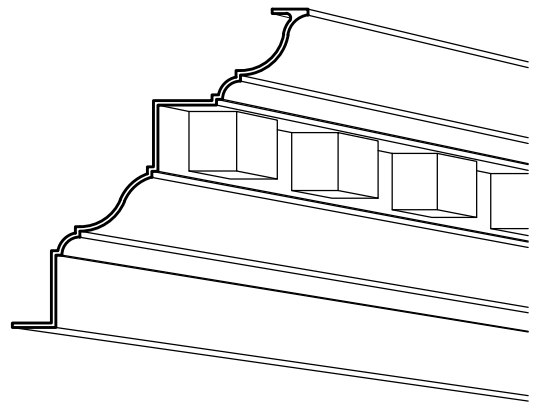
C-418

DEPTH: 11 1/2"  
HEIGHT: 1'-1 1/2"



C-419

DEPTH: 1'-0 5/16"  
HEIGHT: 1'-1 1/4"



CORNICE

SHEET NO.

**C-30**

2020

PROFILES

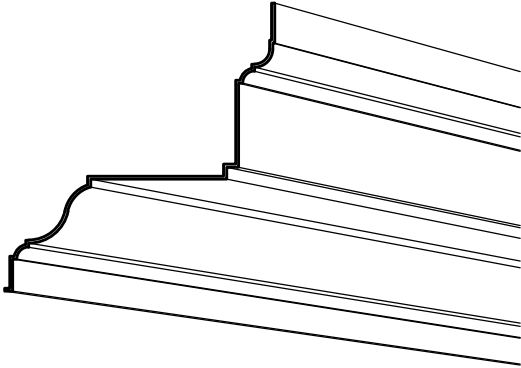


**ARCHITECTURAL FIBERGLASS, INC.**

8300 BESSEMER AVE., CLEVELAND, OHIO 44127-1839  
(216) 641-8300 - FAX:(216) 641-8150  
[www.fiberglass-afi.com](http://www.fiberglass-afi.com)

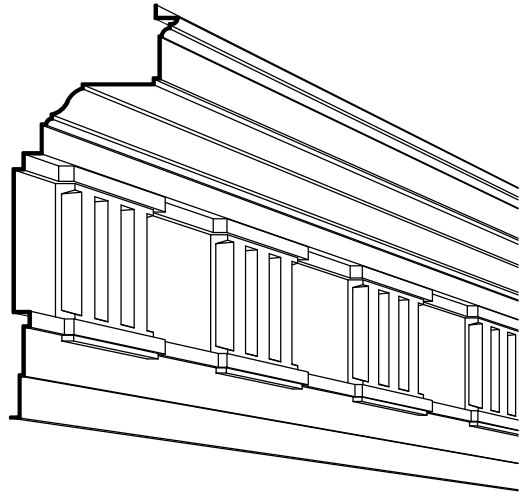
C-420

DEPTH: 1'-4 7/8"  
HEIGHT: 1'-6"



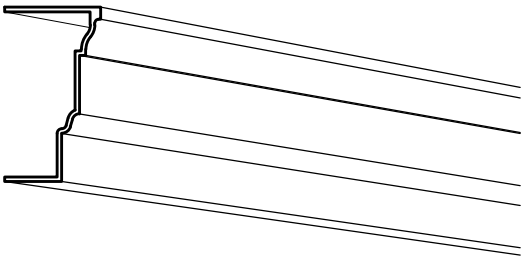
C-421

DEPTH: 1'-9"  
HEIGHT: 4'-3 5/8"



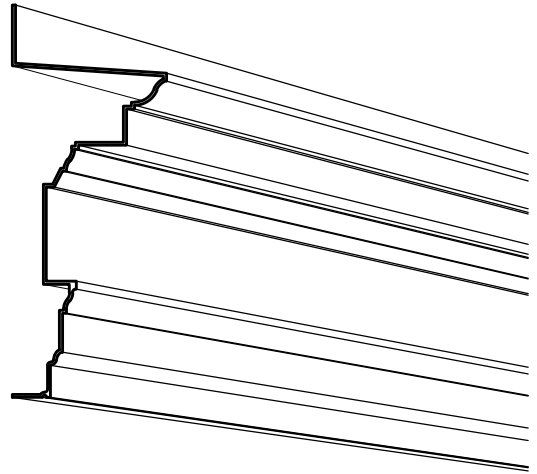
C-422

DEPTH: 4"  
HEIGHT: 7 1/4"



C-423

DEPTH: 9 5/8"  
HEIGHT: 2'-0 1/2"



CORNICE

SHEET NO.

**C-31**

2020

PROFILES

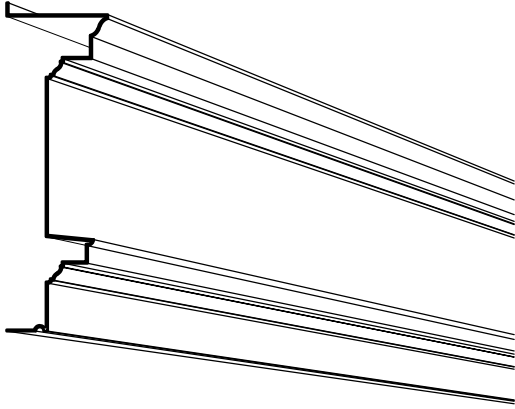


**ARCHITECTURAL FIBERGLASS, INC.**

8300 BESSEMER AVE., CLEVELAND, OHIO 44127-1839  
(216) 641-8300 - FAX:(216) 641-8150  
[www.fiberglass-afi.com](http://www.fiberglass-afi.com)

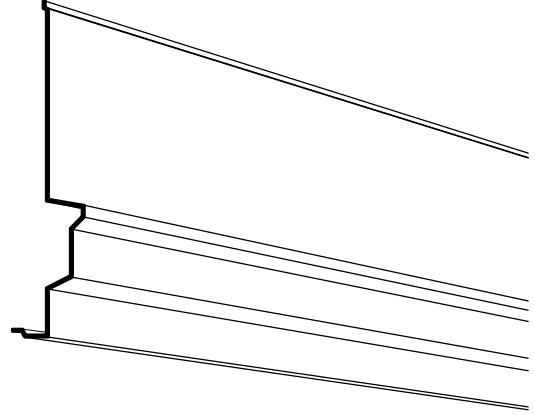
C-424

DEPTH: 1'-0 5/8"  
HEIGHT: 3'-5 1/16"



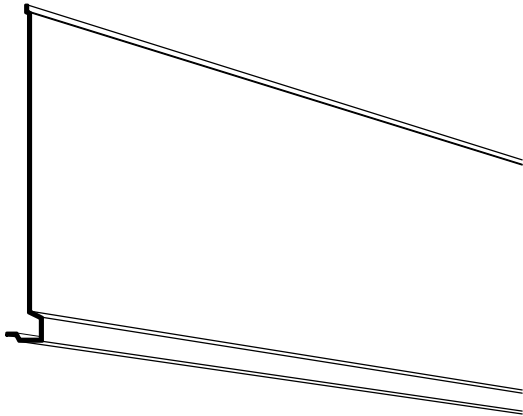
C-425

DEPTH: 6"  
HEIGHT: 2'-4"



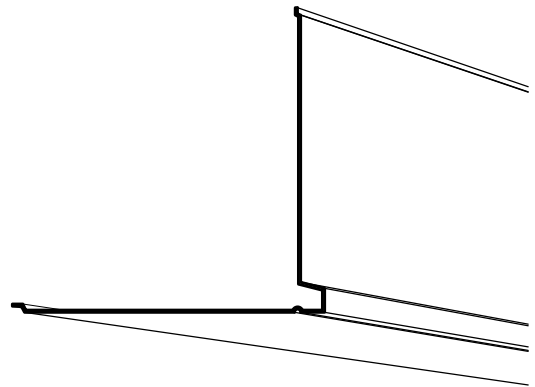
C-426

DEPTH: 3"  
HEIGHT: 2'-4"



C-427

DEPTH: 2'-2"  
HEIGHT: 2'-1 3/8"



CORNICE

SHEET NO.

C-32

2020

PROFILES

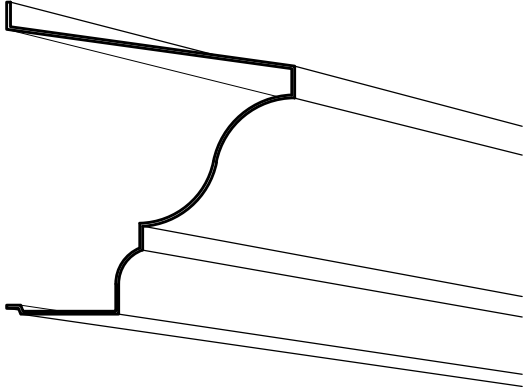


**ARCHITECTURAL FIBERGLASS, INC.**

8300 BESSEMER AVE., CLEVELAND, OHIO 44127-1839  
(216) 641-8300 - FAX:(216) 641-8150  
[www.fiberglass-afi.com](http://www.fiberglass-afi.com)

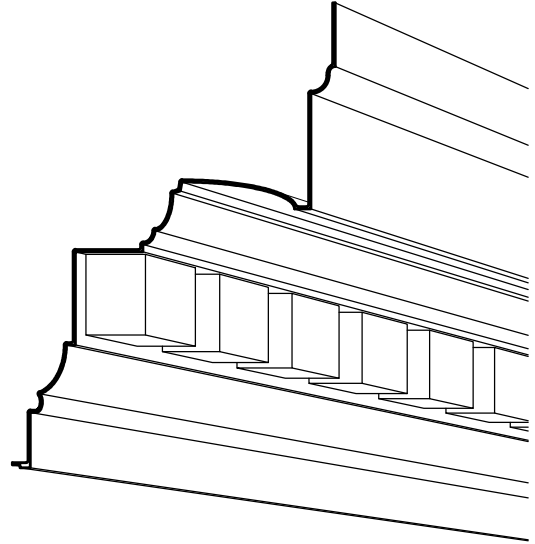
C-428

DEPTH: 1'-6"  
HEIGHT: 1'-7 1/2"



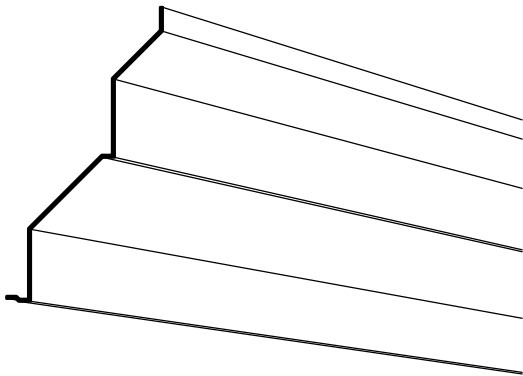
C-429

DEPTH: 2'-2 7/8"  
HEIGHT: 3'-2 3/4"



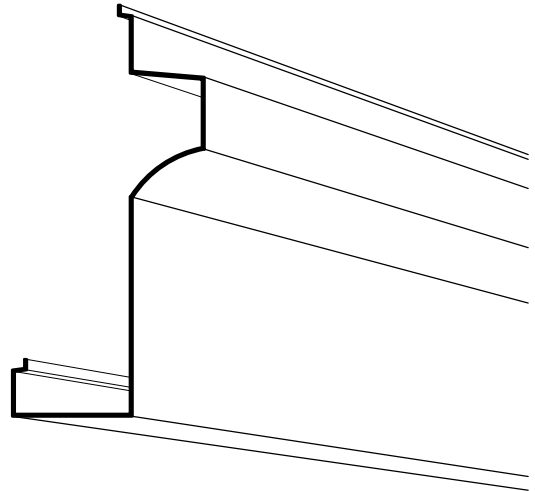
C-430

DEPTH: 1'-1"  
HEIGHT: 2'-0 1/2"



C-431

DEPTH: 1'-4"  
HEIGHT: 2'-10 1/4"



CORNICE

SHEET NO.

C-33

2020

PROFILES

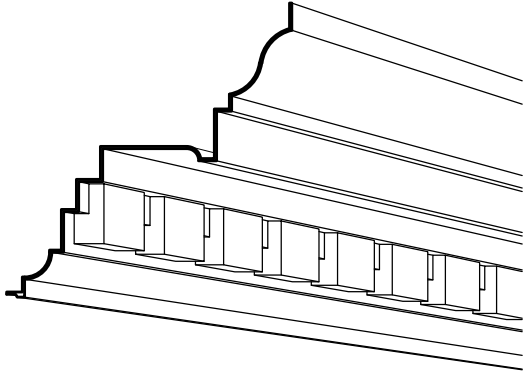


*ARCHITECTURAL FIBERGLASS, INC.*

8300 BESSEMER AVE., CLEVELAND, OHIO 44127-1839  
(216) 641-8300 - FAX:(216) 641-8150  
[www.fiberglass-afi.com](http://www.fiberglass-afi.com)

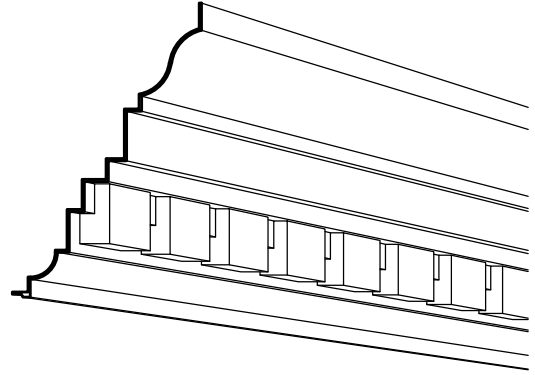
C-432

DEPTH: 1'-11 3/4"  
HEIGHT: 2'-0 1/2"



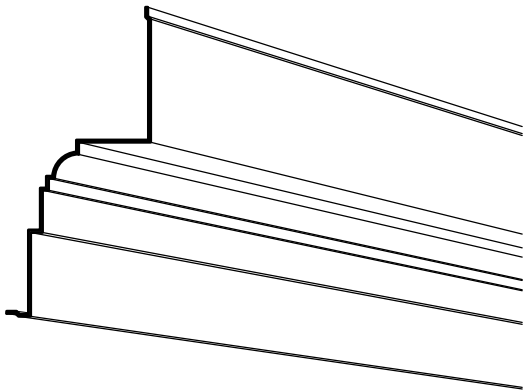
C-433

DEPTH: 1'-3 3/4"  
HEIGHT: 2'-0 1/2"



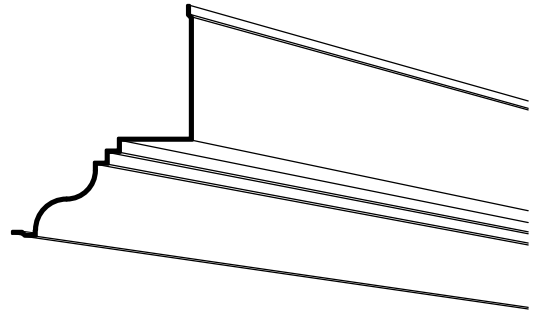
C-434

DEPTH: 1'-0"  
HEIGHT: 2'-1 3/4"



C-435

DEPTH: 1'-3"  
HEIGHT: 1'-7 1/4"



CORNICE

SHEET NO.

C-34

2020

PROFILES

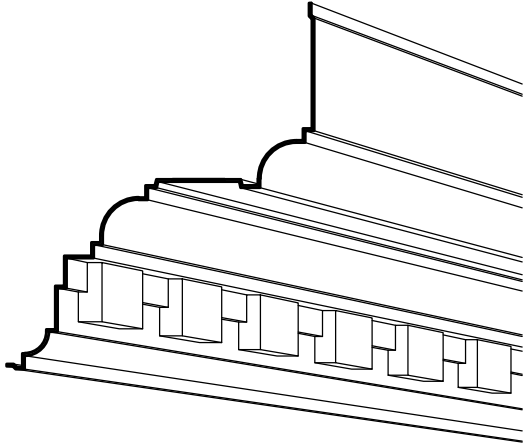


*ARCHITECTURAL FIBERGLASS, INC.*

8300 BESSEMER AVE., CLEVELAND, OHIO 44127-1839  
(216) 641-8300 - FAX:(216) 641-8150  
[www.fiberglass-afi.com](http://www.fiberglass-afi.com)

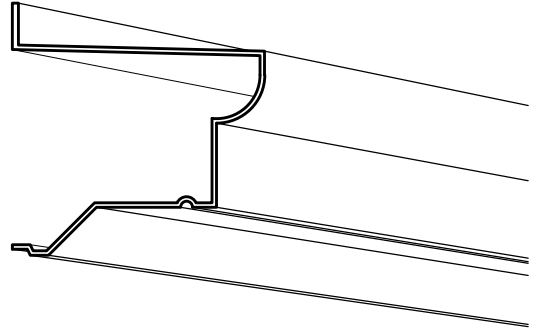
C-436

DEPTH: 2'-1 5/8"  
HEIGHT: 2'-6 1/2"



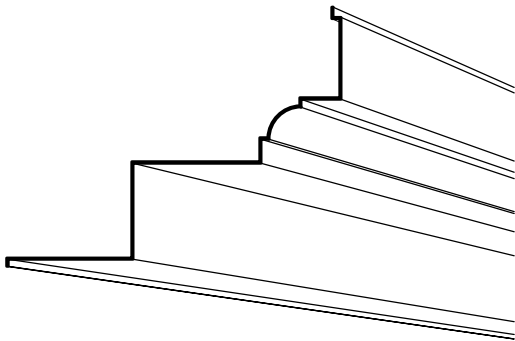
C-437

DEPTH: 10 1/2"  
HEIGHT: 10 1/2"



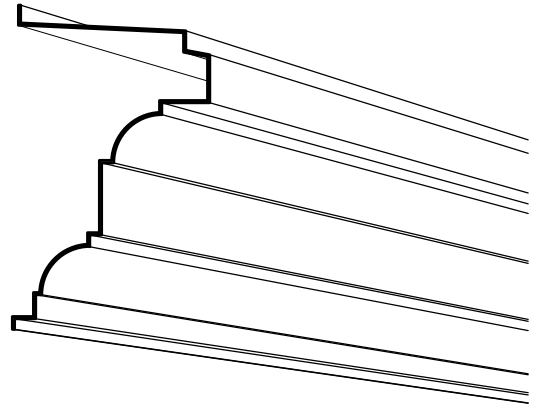
C-438

DEPTH: 3'-5 13/16"  
HEIGHT: 2'-8 3/8"



C-439

DEPTH: 1'-4 7/16"  
HEIGHT: 2'-3"



CORNICE

SHEET NO.

C-35

2020

PROFILES

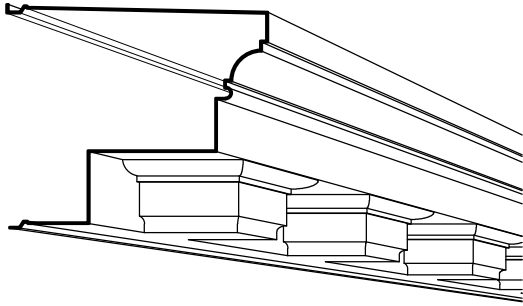


*ARCHITECTURAL FIBERGLASS, INC.*

8300 BESSEMER AVE., CLEVELAND, OHIO 44127-1839  
(216) 641-8300 - FAX:(216) 641-8150  
[www.fiberglass-afi.com](http://www.fiberglass-afi.com)

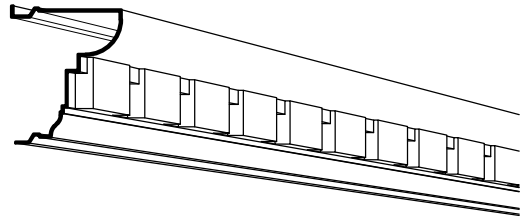
C-440

DEPTH: 3'-7 1/2"  
HEIGHT: 3'-1 5/16"



C-441

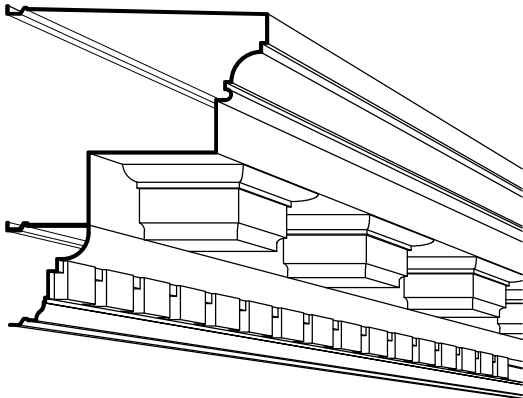
DEPTH: 1'-1 3/4"  
HEIGHT: 1'-5 3/16"



C-442

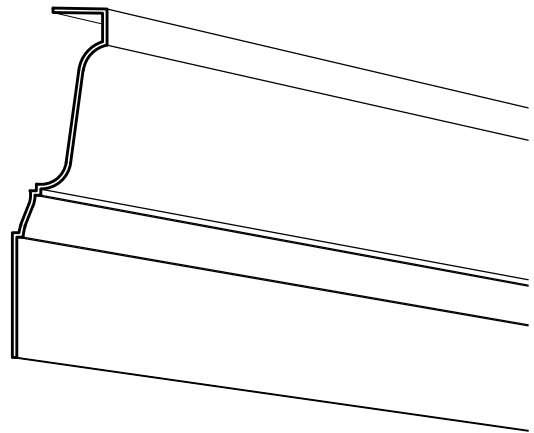
DEPTH: 3'-7 1/2"  
HEIGHT: 4'-5 1/4"

2-PIECE ASSEMBLY:  
C-440, C-441



C-443

DEPTH: 3 3/4"  
HEIGHT: 1'-2 1/2"



CORNICE

SHEET NO.

**C-36**

2020

PROFILES



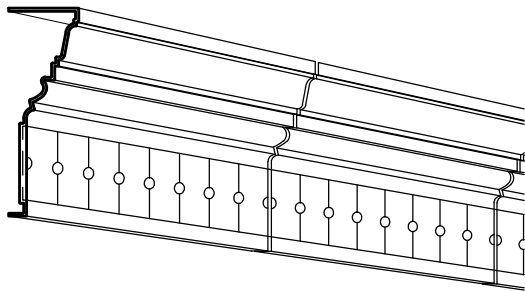
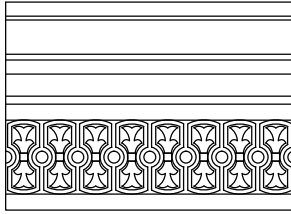
**ARCHITECTURAL FIBERGLASS, INC.**

8300 BESSEMER AVE., CLEVELAND, OHIO 44127-1839  
(216) 641-8300 - FAX:(216) 641-8150  
[www.fiberglass-afi.com](http://www.fiberglass-afi.com)



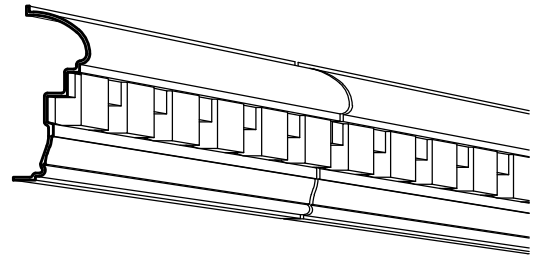
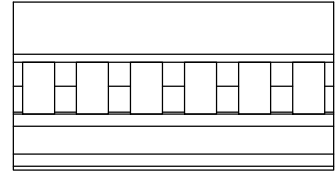
C-444

DEPTH: 4 3/8"  
HEIGHT: 1'-1"



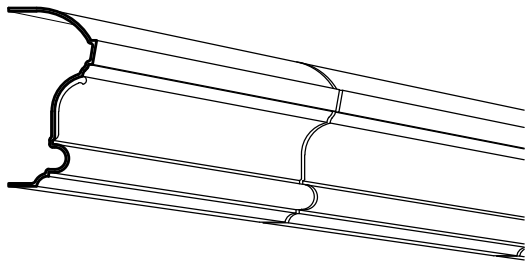
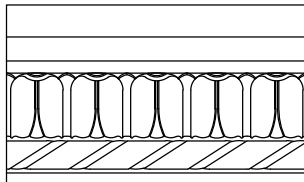
C-445

DEPTH: 4 3/4"  
HEIGHT: 10 1/2"



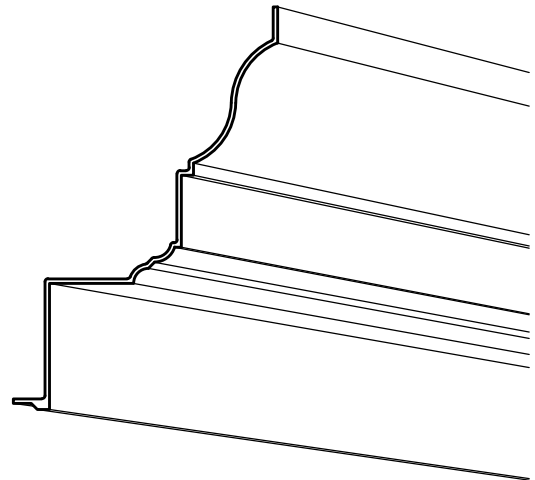
C-446

DEPTH: 5 1/2"  
HEIGHT: 11 1/8"



C-447

DEPTH: 11"  
HEIGHT: 1'-4 3/4"



CORNICE

SHEET NO.

C-37

2020

PROFILES

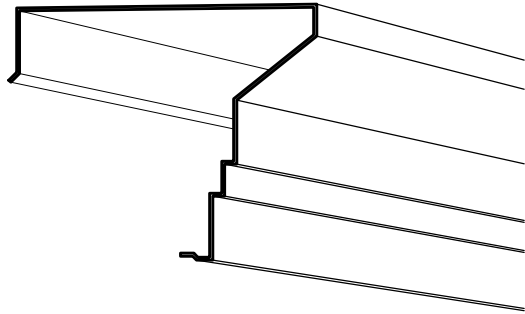


*ARCHITECTURAL FIBERGLASS, INC.*

8300 BESSEMER AVE., CLEVELAND, OHIO 44127-1839  
(216) 641-8300 - FAX:(216) 641-8150  
www.fiberglass-afi.com

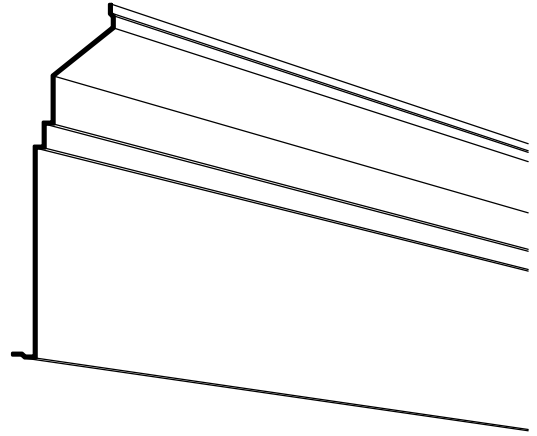
C-448

DEPTH: 1'-6 3/4"  
HEIGHT: 1'-4"



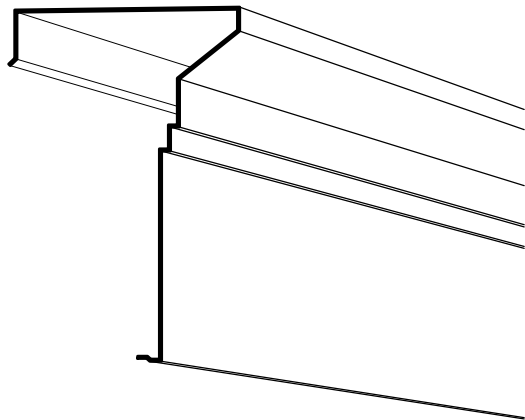
C-449

DEPTH: 8 1/2"  
HEIGHT: 2'-5 1/2"



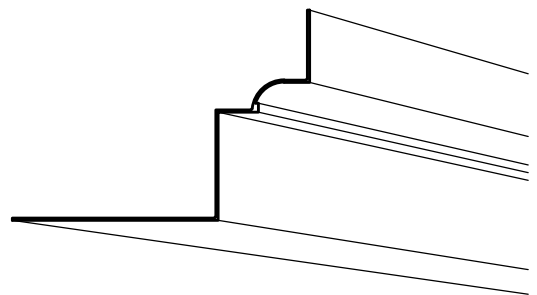
C-450

DEPTH: 1'-6 3/4"  
HEIGHT: 2'-5 1/2"



C-451

DEPTH: 2'-0 3/4"  
HEIGHT: 1'-5 1/2"



CORNICE

SHEET NO.

**C-38**

2020

PROFILES

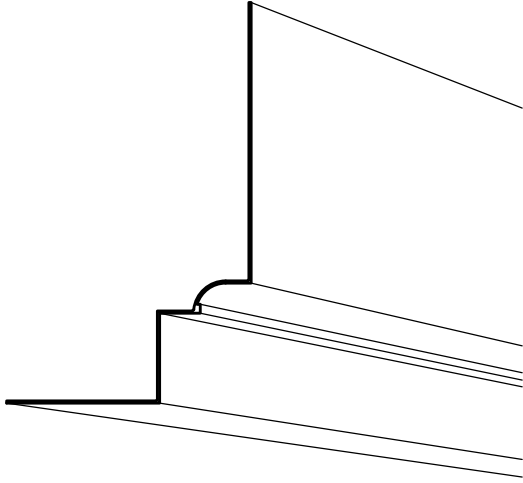


**ARCHITECTURAL FIBERGLASS, INC.**

8300 BESSEMER AVE., CLEVELAND, OHIO 44127-1839  
(216) 641-8300 - FAX:(216) 641-8150  
[www.fiberglass-afi.com](http://www.fiberglass-afi.com)

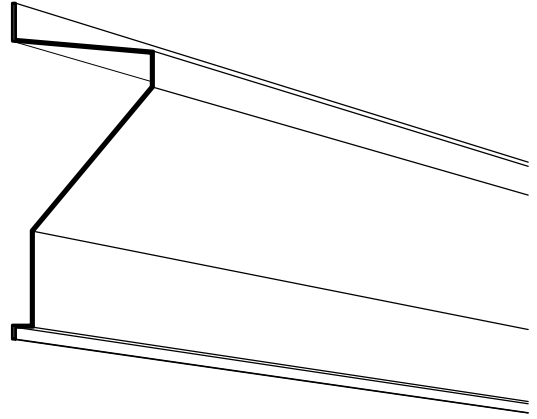
C-452

DEPTH: 1'-8 3/8"  
HEIGHT: 2'-9 3/8"



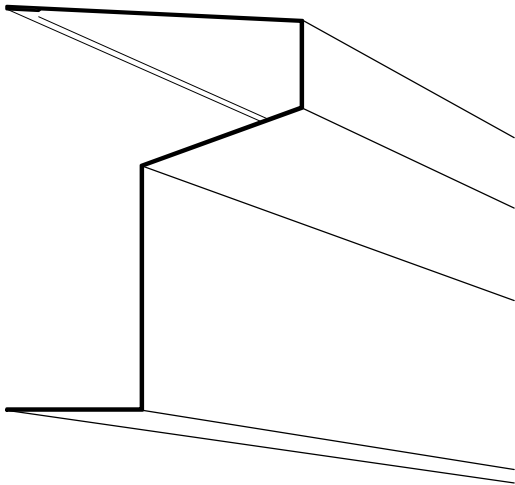
C-453

DEPTH: 11 3/4"  
HEIGHT: 2'-4"



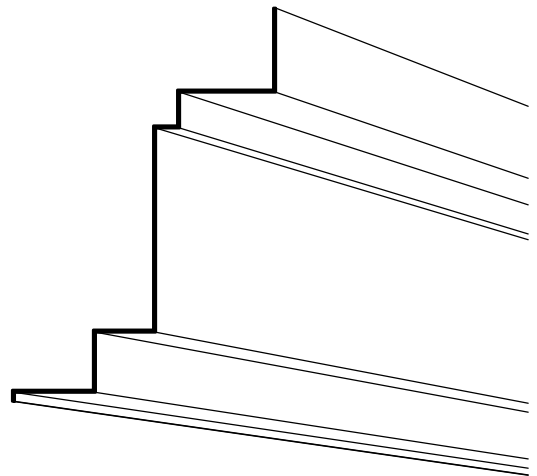
C-454

DEPTH: 3'-1"  
HEIGHT: 4'-2 1/2"



C-455

DEPTH: 1'-10"  
HEIGHT: 2'-8 3/4"



CORNICE

SHEET NO.

**C-39**

2020

PROFILES

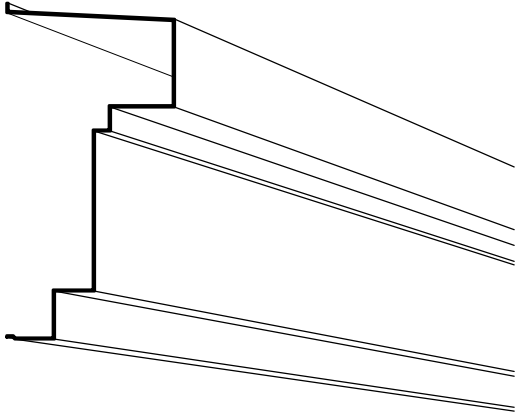


**ARCHITECTURAL FIBERGLASS, INC.**

8300 BESSEMER AVE., CLEVELAND, OHIO 44127-1839  
(216) 641-8300 - FAX:(216) 641-8150  
[www.fiberglass-afi.com](http://www.fiberglass-afi.com)

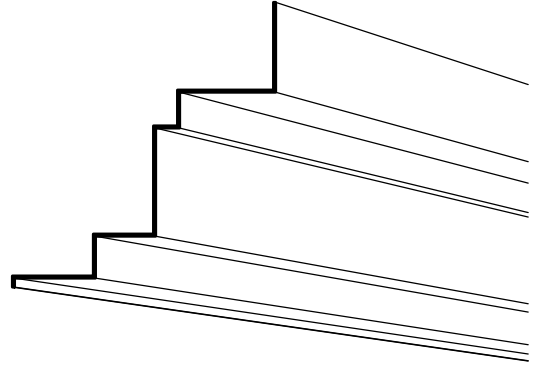
C-456

DEPTH: 1'-9"  
HEIGHT: 3'-6"



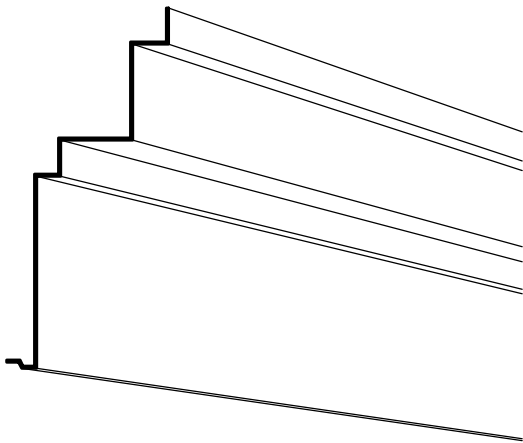
C-457

DEPTH: 1'-10"  
HEIGHT: 1'-11 3/4"



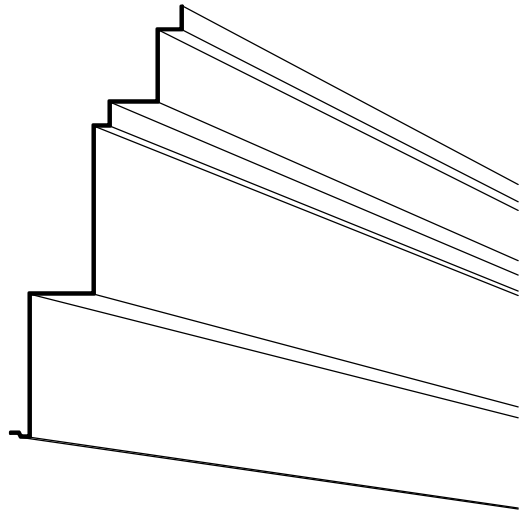
C-458

DEPTH: 1'-1 1/2"  
HEIGHT: 2'-6"



C-459

DEPTH: 1'-9 1/2"  
HEIGHT: 4'-5 7/8"



CORNICE

SHEET NO.

**C-40**

2020

PROFILES

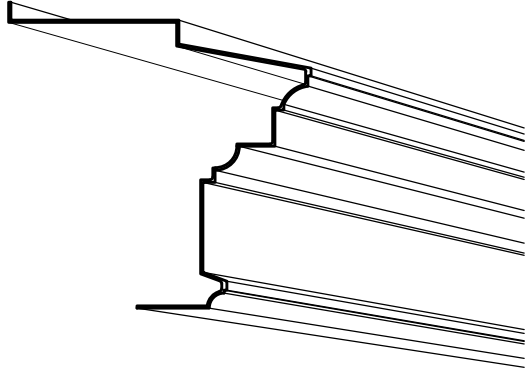


**ARCHITECTURAL FIBERGLASS, INC.**

8300 BESSEMER AVE., CLEVELAND, OHIO 44127-1839  
(216) 641-8300 - FAX:(216) 641-8150  
[www.fiberglass-afi.com](http://www.fiberglass-afi.com)

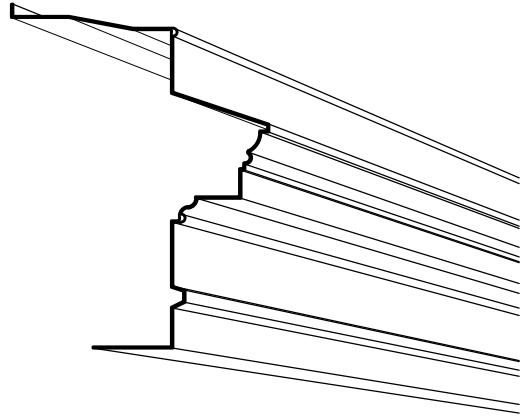
C-460

DEPTH: 2'-1"  
HEIGHT: 2'-1 1/2"



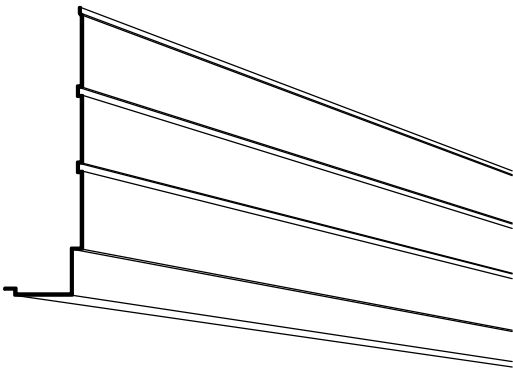
C-461

DEPTH: 2'-8"  
HEIGHT: 3'-7"



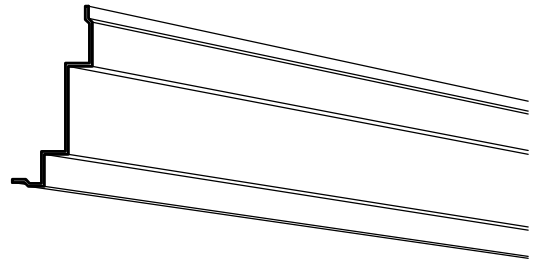
C-462

DEPTH: 9 3/4"  
HEIGHT: 3'-0"



C-463

DEPTH: 5"  
HEIGHT: 11 1/4"



CORNICE

SHEET NO.

**C-41**

2020

PROFILES

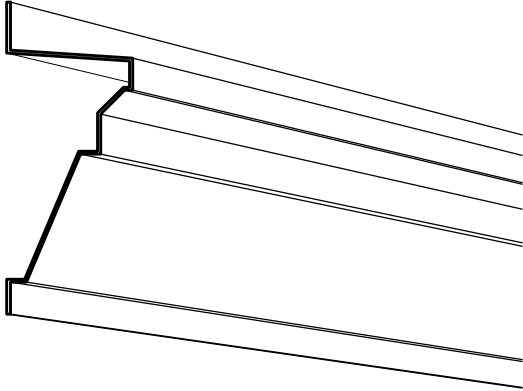


**ARCHITECTURAL FIBERGLASS, INC.**

8300 BESSEMER AVE., CLEVELAND, OHIO 44127-1839  
(216) 641-8300 - FAX:(216) 641-8150  
[www.fiberglass-afi.com](http://www.fiberglass-afi.com)

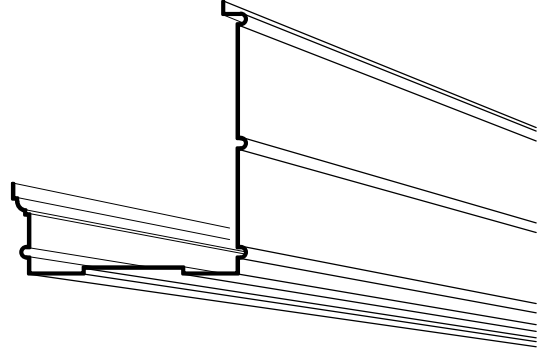
C-464

DEPTH: 7 7/8"  
HEIGHT: 1'-7 1/2"



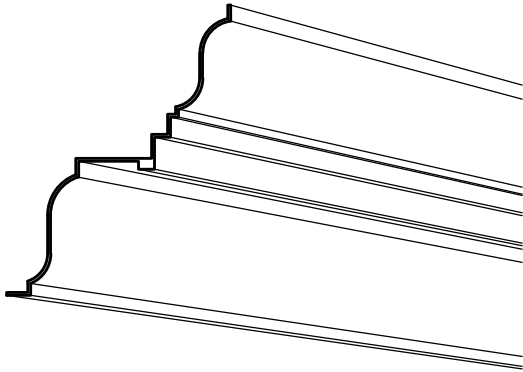
C-465

DEPTH: 2'-5 1/4"  
HEIGHT: 2'-10 1/8"



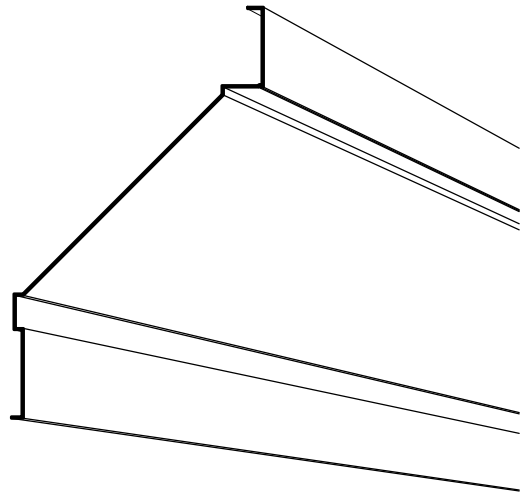
C-466

DEPTH: 1'-2"  
HEIGHT: 1'-6 1/8"



C-467

DEPTH: 2'-7 1/2"  
HEIGHT: 4'-3 3/8"



CORNICE

SHEET NO.

C-42

2020

PROFILES

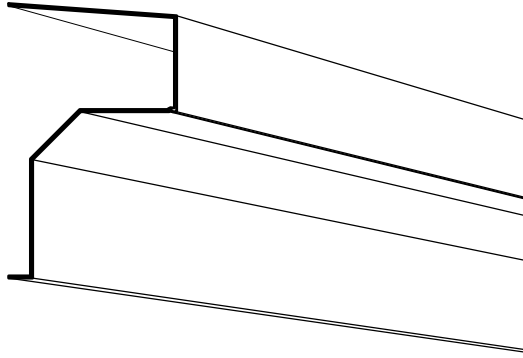


*ARCHITECTURAL FIBERGLASS, INC.*

8300 BESSEMER AVE., CLEVELAND, OHIO 44127-1839  
(216) 641-8300 - FAX:(216) 641-8150  
[www.fiberglass-afi.com](http://www.fiberglass-afi.com)

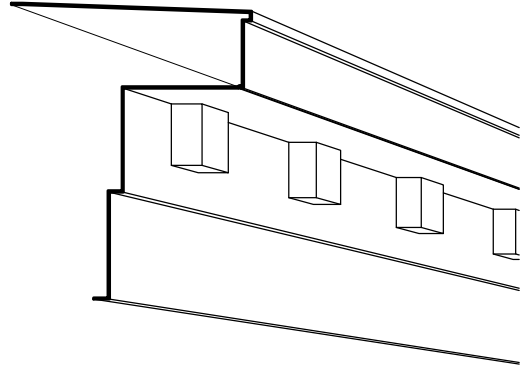
C-468

DEPTH: 1'-2"  
HEIGHT: 1'-10 7/8"



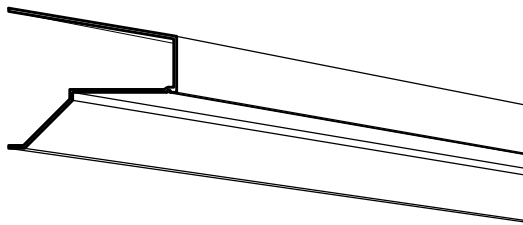
C-469

DEPTH: 2'-6"  
HEIGHT: 3'-1"



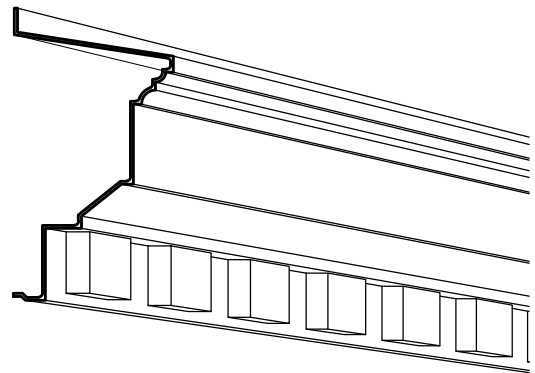
C-470

DEPTH: 10 1/2"  
HEIGHT: 8 3/4"



C-471

DEPTH: 9 3/4"  
HEIGHT: 1'-6 1/4"



CORNICE

SHEET NO.

**C-43**

2020

PROFILES

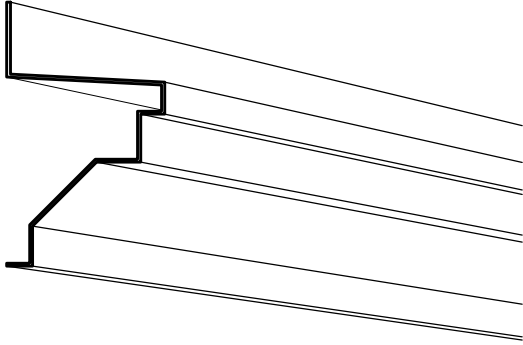


**ARCHITECTURAL FIBERGLASS, INC.**

8300 BESSEMER AVE., CLEVELAND, OHIO 44127-1839  
(216) 641-8300 - FAX:(216) 641-8150  
[www.fiberglass-afi.com](http://www.fiberglass-afi.com)

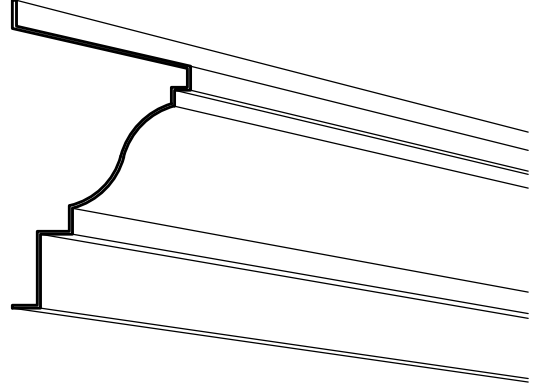
C-472

DEPTH: 9 7/8"  
HEIGHT: 1'-4 1/2"



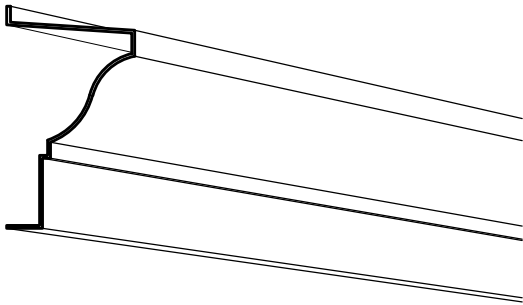
C-473

DEPTH: 11 1/8"  
HEIGHT: 1'-7 1/4"



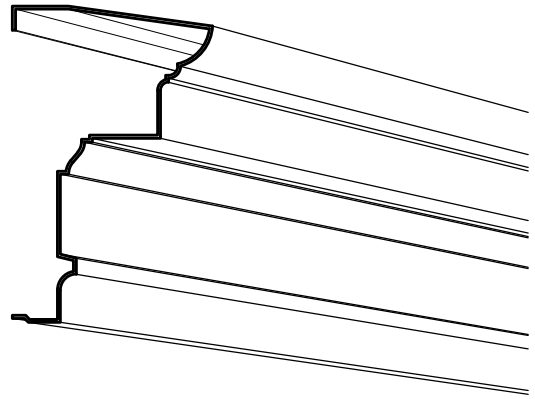
C-474

DEPTH: 8"  
HEIGHT: 1'-1 7/8"



C-475

DEPTH: 1'-0 1/2"  
HEIGHT: 1'-7 3/4"



CORNICE

SHEET NO.

**C-44**

2020

PROFILES



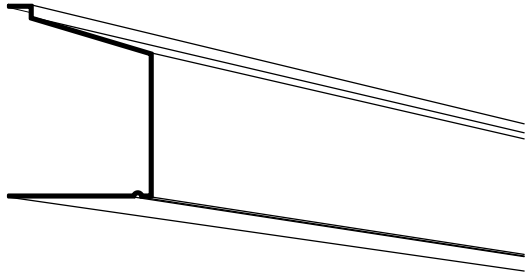
**ARCHITECTURAL FIBERGLASS, INC.**

8300 BESSEMER AVE., CLEVELAND, OHIO 44127-1839  
(216) 641-8300 - FAX:(216) 641-8150  
[www.fiberglass-afi.com](http://www.fiberglass-afi.com)



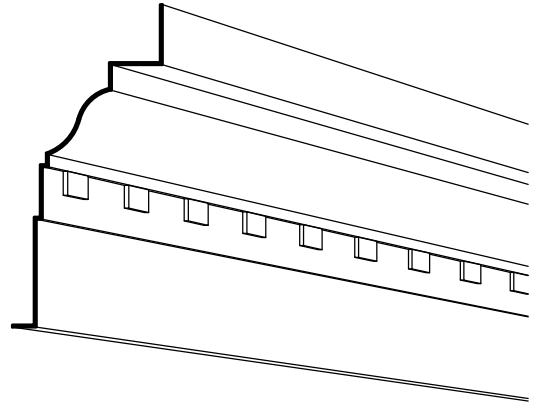
C-476

DEPTH: 1'-0"  
HEIGHT: 1'-4"



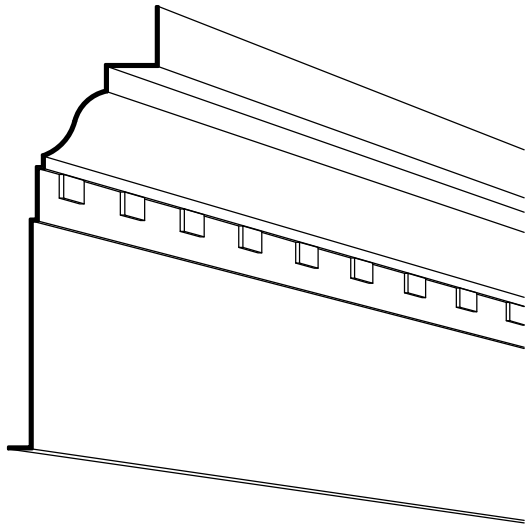
C-477

DEPTH: 1'-0 1/2"  
HEIGHT: 2'-2 7/8"



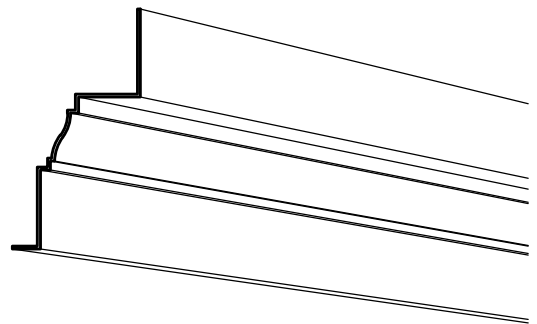
C-478

DEPTH: 1'-0 1/2"  
HEIGHT: 3'-0 7/8"



C-479

DEPTH: 8"  
HEIGHT: 1'-3"



CORNICE

SHEET NO.

C-45

2020

PROFILES

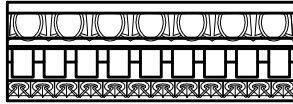


*ARCHITECTURAL FIBERGLASS, INC.*

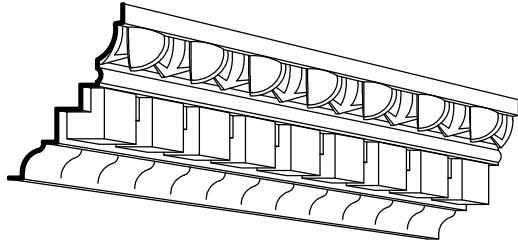
8300 BESSEMER AVE., CLEVELAND, OHIO 44127-1839  
(216) 641-8300 - FAX:(216) 641-8150  
[www.fiberglass-afi.com](http://www.fiberglass-afi.com)

C-480

DEPTH: 9 5/8"  
HEIGHT: 1'-2 5/8"

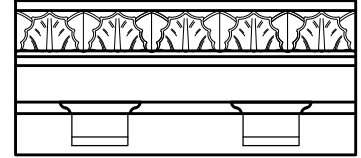


ELEVATION

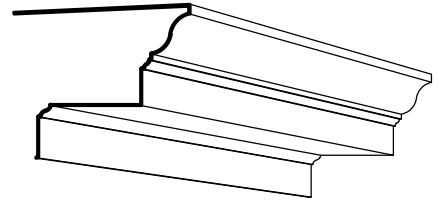


C-481

DEPTH: 1'-10"  
HEIGHT: 1'-7 1/4"

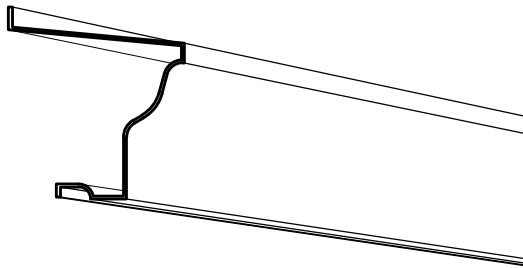


OPTIONAL BRACKETS



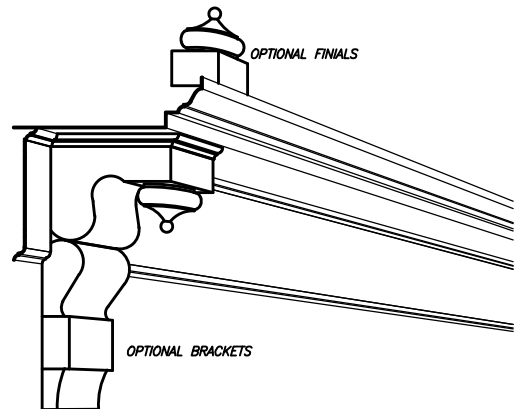
C-482

DEPTH: 11"  
HEIGHT: 1'-0"



C-483

DEPTH: 2'-7 1/2"  
HEIGHT: 2'-6 1/2"



OPTIONAL FINIALS

OPTIONAL BRACKETS

CORNICE

SHEET NO.

C-46

2020

PROFILES

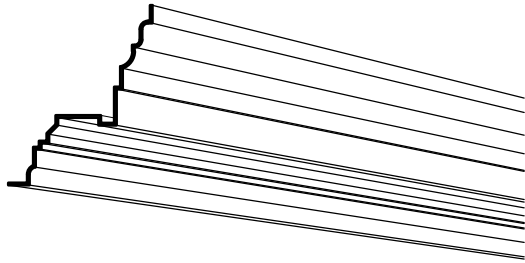


ARCHITECTURAL FIBERGLASS, INC.

8300 BESSEMER AVE., CLEVELAND, OHIO 44127-1839  
(216) 641-8300 - FAX:(216) 641-8150  
www.fiberglass-afi.com

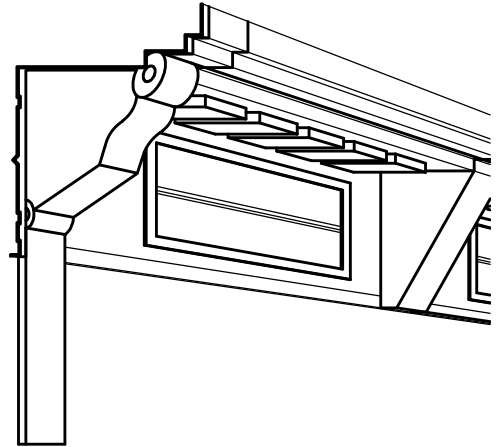
C-484

DEPTH: 1'-0"  
HEIGHT: 1'-3"



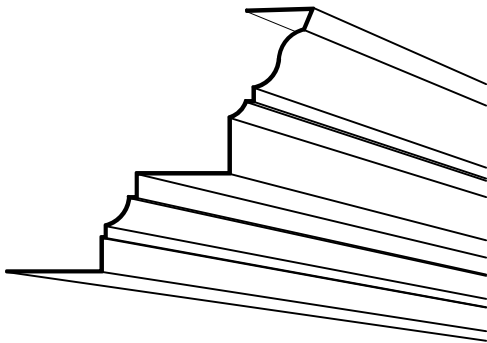
C-485

DEPTH: 2'-0"  
HEIGHT: 2'-7 1/2"



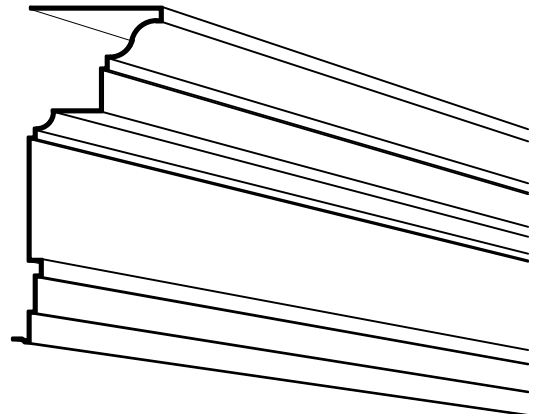
C-486

DEPTH: 3'-2 3/8"  
HEIGHT: 2'-9"



C-487

DEPTH: 1'-0 1/2"  
HEIGHT: 2'-4"



CORNICE

SHEET NO.

**C-47**

2020

PROFILES

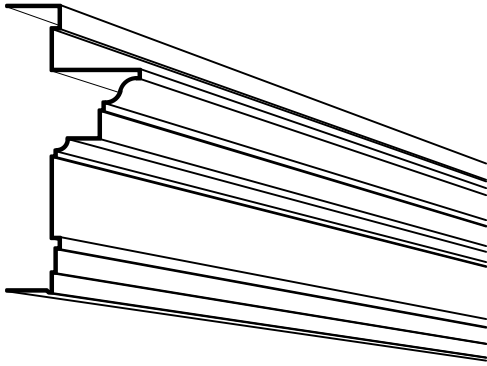


**ARCHITECTURAL FIBERGLASS, INC.**

8300 BESSEMER AVE., CLEVELAND, OHIO 44127-1839  
(216) 641-8300 - FAX:(216) 641-8150  
[www.fiberglass-afi.com](http://www.fiberglass-afi.com)

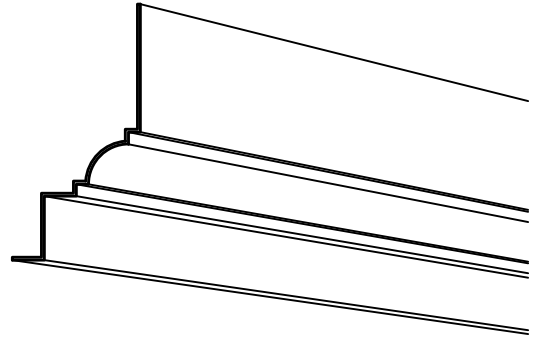
C-488

DEPTH: 1'-4 3/4"  
HEIGHT: 3'-0"



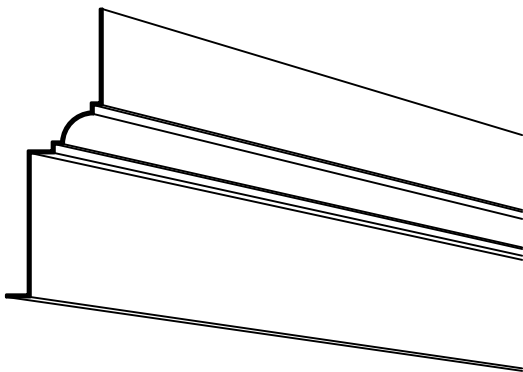
C-489

DEPTH: 8"  
HEIGHT: 1'-4"



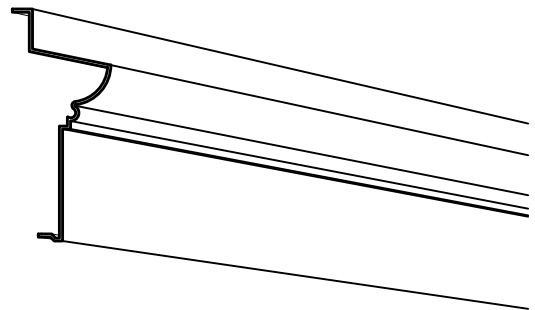
C-490

DEPTH: 8"  
HEIGHT: 2'-0"



C-491

DEPTH: 6 1/8"  
HEIGHT: 1'-2 1/2"



CORNICE

SHEET NO.

**C-48**

2020

PROFILES

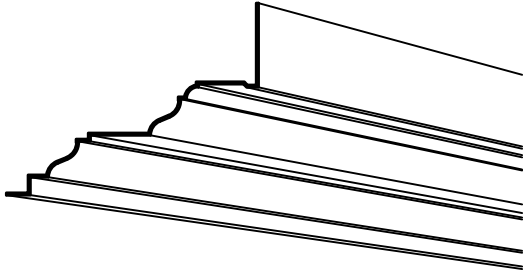


**ARCHITECTURAL FIBERGLASS, INC.**

8300 BESSEMER AVE., CLEVELAND, OHIO 44127-1839  
(216) 641-8300 - FAX:(216) 641-8150  
[www.fiberglass-afi.com](http://www.fiberglass-afi.com)

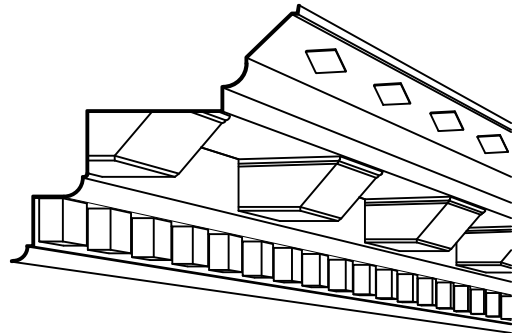
C-492

DEPTH: 1'-9"  
HEIGHT: 1'-4"



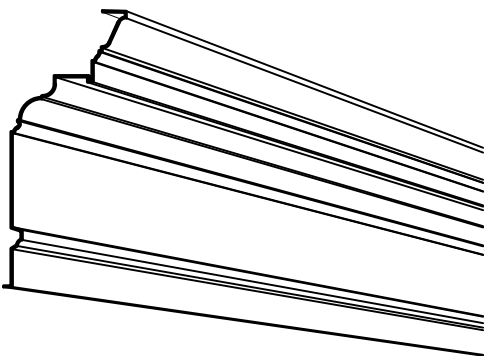
C-493

DEPTH: 4'-0"  
HEIGHT: 3'-6 3/4"



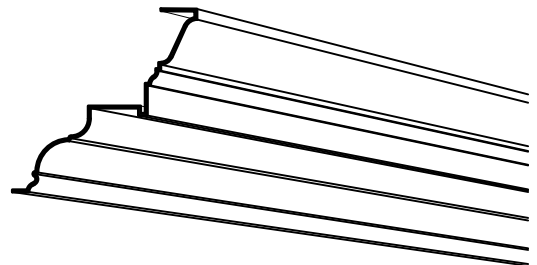
C-494

DEPTH: 1'-3 3/8"  
HEIGHT: 2'-10 1/2"



C-495

DEPTH: 1'-3 3/8"  
HEIGHT: 1'-3 1/4"



CORNICE

SHEET NO.

**C-49**

2020

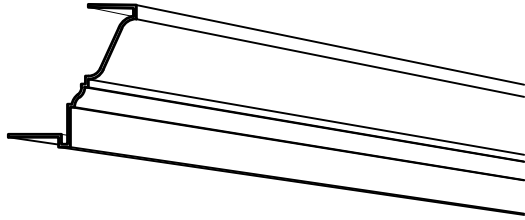
PROFILES



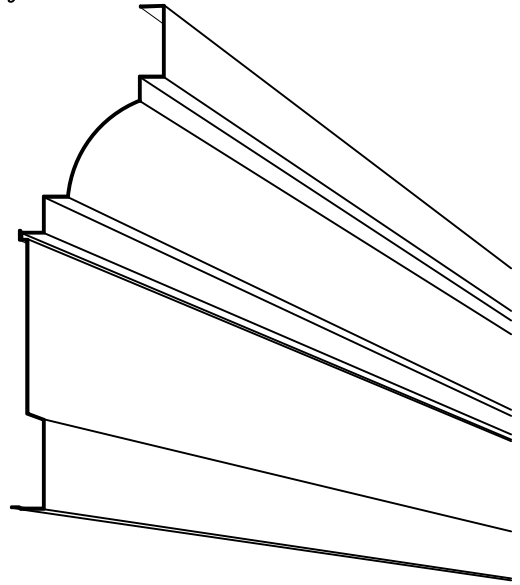
**ARCHITECTURAL FIBERGLASS, INC.**

8300 BESSEMER AVE., CLEVELAND, OHIO 44127-1839  
(216) 641-8300 - FAX:(216) 641-8150  
[www.fiberglass-afi.com](http://www.fiberglass-afi.com)

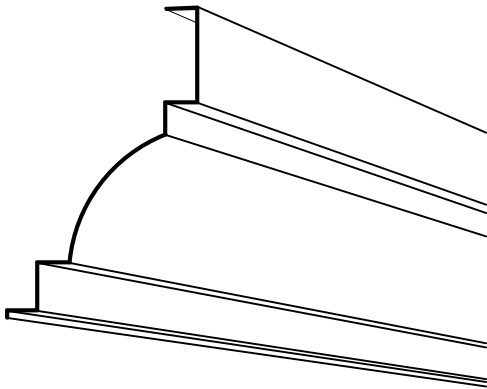
C-496  
DEPTH: 8"  
HEIGHT: 8 7/8"



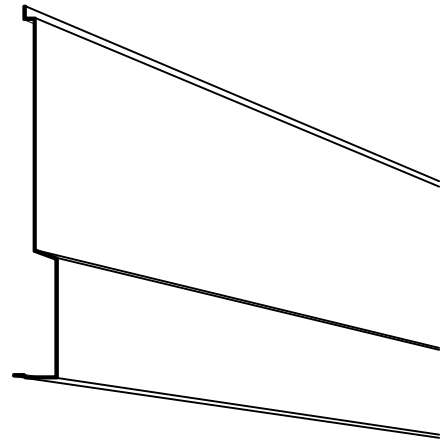
C-497  
DEPTH: 2'-1 1/2"  
HEIGHT: 7'-0"



C-498  
DEPTH: 2'-0"  
HEIGHT: 3'-2 7/8"



C-499  
DEPTH: 5 1/2"  
HEIGHT: 3'-10 1/2"



CORNICE

SHEET NO.

C-50

2020

PROFILES

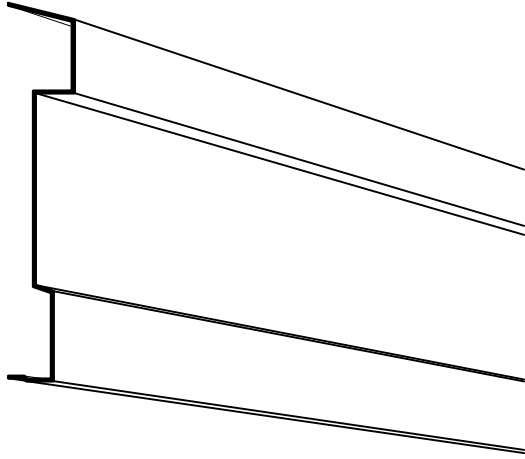


*ARCHITECTURAL FIBERGLASS, INC.*

8300 BESSEMER AVE., CLEVELAND, OHIO 44127-1839  
(216) 641-8300 - FAX:(216) 641-8150  
[www.fiberglass-afi.com](http://www.fiberglass-afi.com)

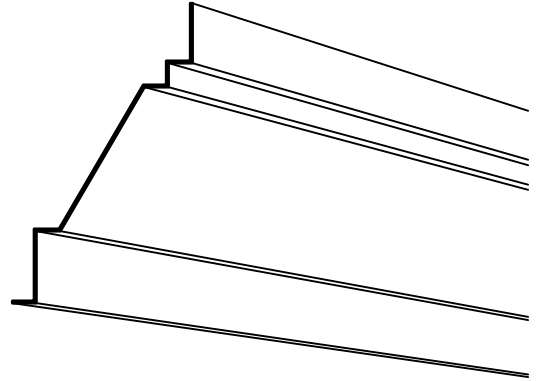
C-500

DEPTH: 5 1/2"  
HEIGHT: 2'-7 1/2"



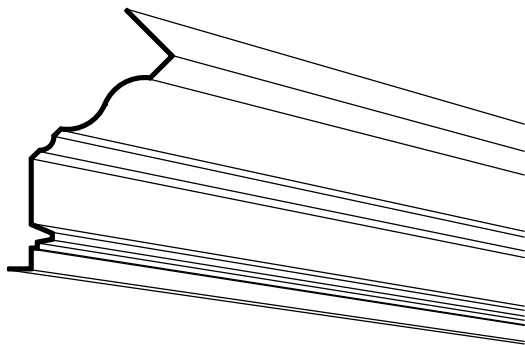
C-501

DEPTH: 1'-3"  
HEIGHT: 2'-1"



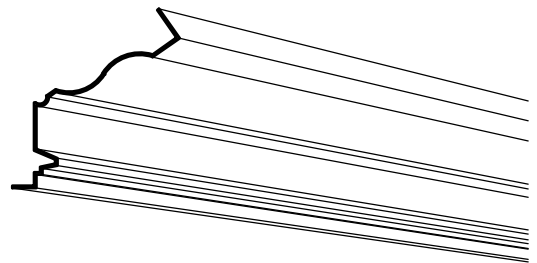
C-502

DEPTH: 1'-1 3/4"  
HEIGHT: 1'-9 3/4"



C-503

DEPTH: 1'-1 15/16"  
HEIGHT: 1'-2 15/16"



CORNICE

SHEET NO.

**C-51**

2020

PROFILES

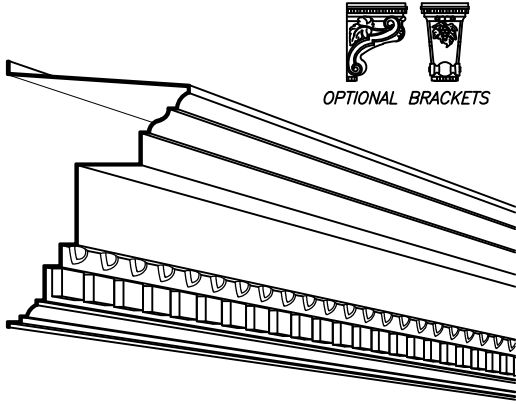


**ARCHITECTURAL FIBERGLASS, INC.**

8300 BESSEMER AVE., CLEVELAND, OHIO 44127-1839  
(216) 641-8300 - FAX:(216) 641-8150  
[www.fiberglass-afi.com](http://www.fiberglass-afi.com)

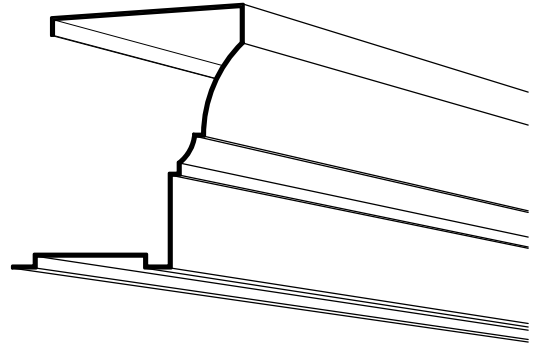
C-504

DEPTH: 1'-10 3/4"  
HEIGHT: 2'-9 1/4"



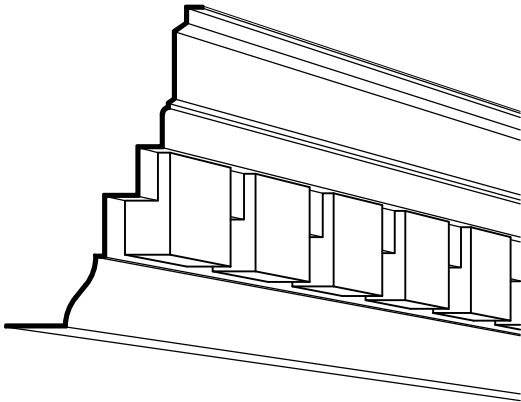
C-505

DEPTH: 1'-7 1/4"  
HEIGHT: 1'-10"



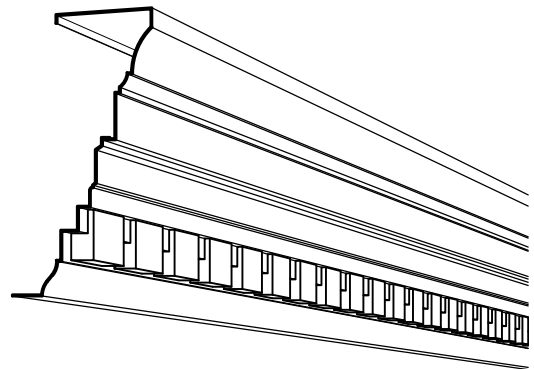
C-506

DEPTH: 1'-4 1/4"  
HEIGHT: 2'-2 7/16"



C-507

DEPTH: 1'-11 1/4"  
HEIGHT: 4'-0"



CORNICE

SHEET NO.

**C-52**

2020

PROFILES



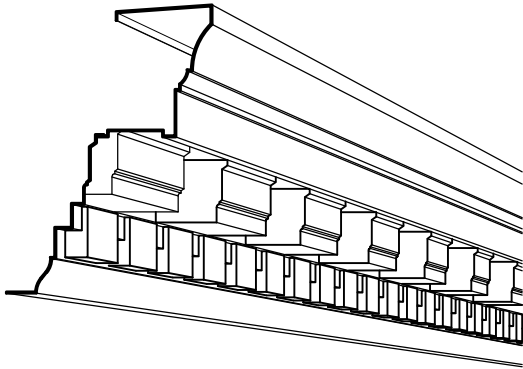
**ARCHITECTURAL FIBERGLASS, INC.**

8300 BESSEMER AVE., CLEVELAND, OHIO 44127-1839  
(216) 641-8300 - FAX:(216) 641-8150  
[www.fiberglass-afi.com](http://www.fiberglass-afi.com)



C-508

DEPTH: 2'-10 1/4"  
HEIGHT: 4'-0"



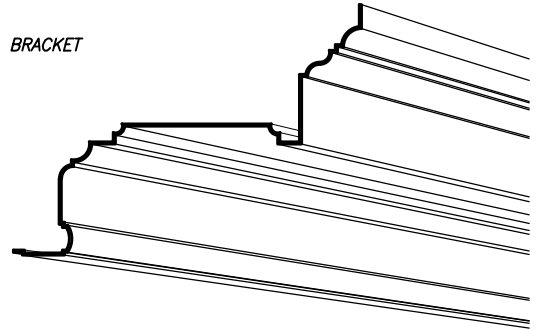
C-509

DEPTH: 2'-5"  
HEIGHT: 1'-8 7/8"

BRACKETS: 0'-4"; VARIES,  
2'-6" C/C TYP

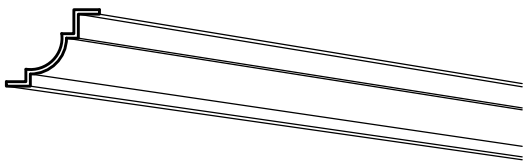


OPTIONAL BRACKET



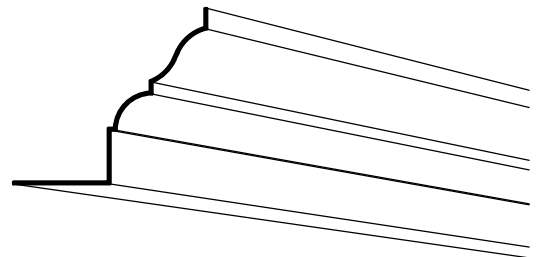
C-510

DEPTH: 3 7/8"  
HEIGHT: 3"



C-511

DEPTH: 1'-4 1/8"  
HEIGHT: 1'-2 11/16"



CORNICE

SHEET NO.

**C-53**

2020

PROFILES

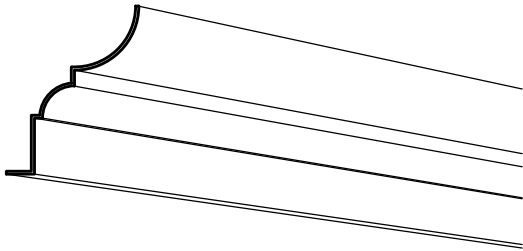


**ARCHITECTURAL FIBERGLASS, INC.**

8300 BESSEMER AVE., CLEVELAND, OHIO 44127-1839  
(216) 641-8300 - FAX:(216) 641-8150  
[www.fiberglass-afi.com](http://www.fiberglass-afi.com)

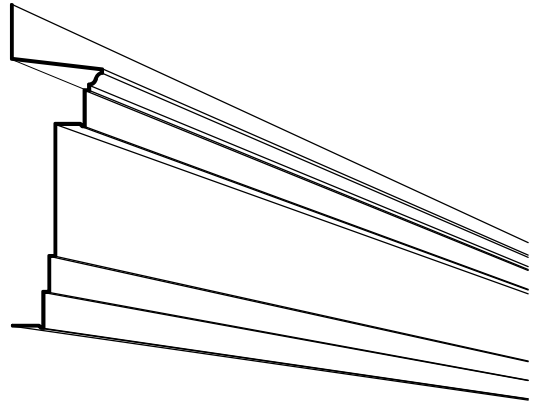
C-512

DEPTH: 8 1/4"  
HEIGHT: 10 1/2"



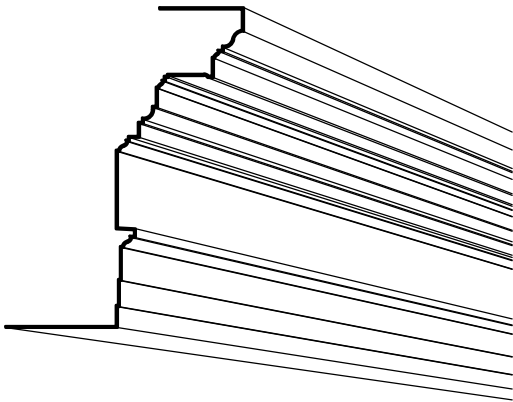
C-513

DEPTH: 1'-3"  
HEIGHT: 4'-5 5/8"



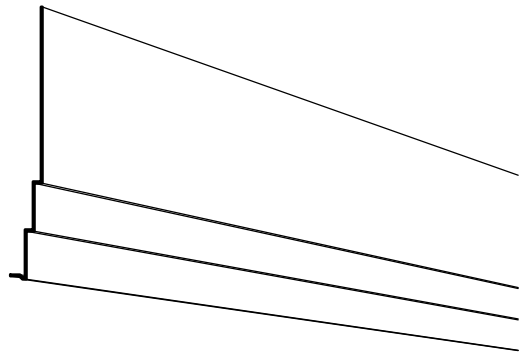
C-514

DEPTH: 2'-5 3/4"  
HEIGHT: 3'-4"



C-515

DEPTH: 4"  
HEIGHT: 2'-10"



CORNICE

SHEET NO.

**C-54**

2020

PROFILES

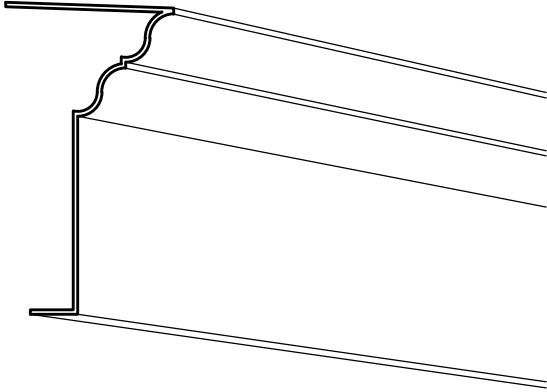


**ARCHITECTURAL FIBERGLASS, INC.**

8300 BESSEMER AVE., CLEVELAND, OHIO 44127-1839  
(216) 641-8300 - FAX:(216) 641-8150  
[www.fiberglass-afi.com](http://www.fiberglass-afi.com)

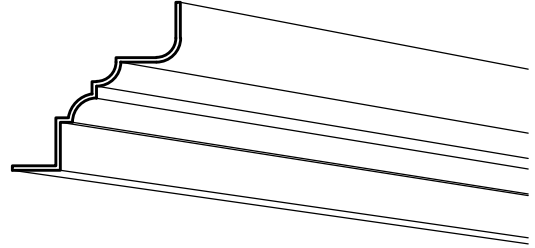
C-516

DEPTH: 6"  
HEIGHT: 1'-1"



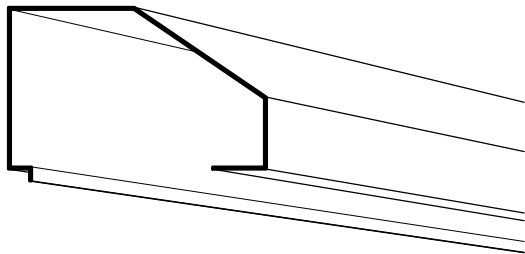
C-517

DEPTH: 7"  
HEIGHT: 7"



C-518

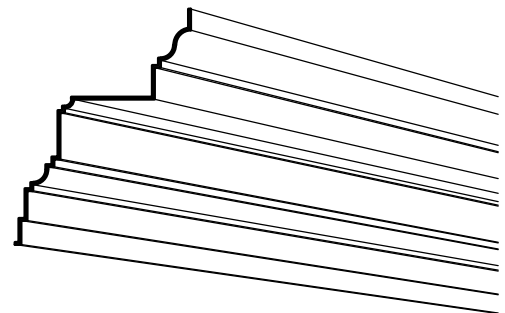
DEPTH: 1'-9 1/2"  
HEIGHT: 1'-2 1/2"



C-519

DEPTH: 1'-2 5/8"  
HEIGHT: 1'-7 5/8"

OPTIONAL BRACKET



CORNICE

SHEET NO.

**C-55**

2020

PROFILES

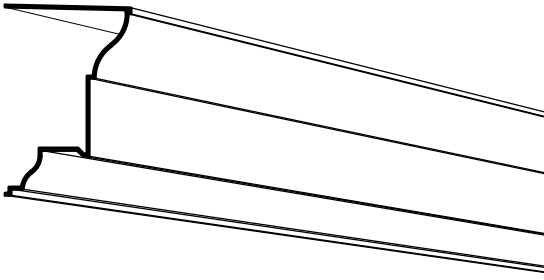


**ARCHITECTURAL FIBERGLASS, INC.**

8300 BESSEMER AVE., CLEVELAND, OHIO 44127-1839  
(216) 641-8300 - FAX:(216) 641-8150  
[www.fiberglass-afi.com](http://www.fiberglass-afi.com)

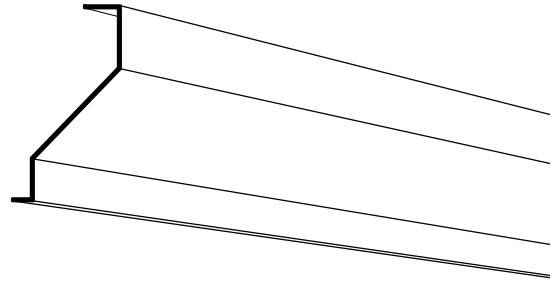
C-520

DEPTH: 10 1/2"  
HEIGHT: 1'-3 7/8"



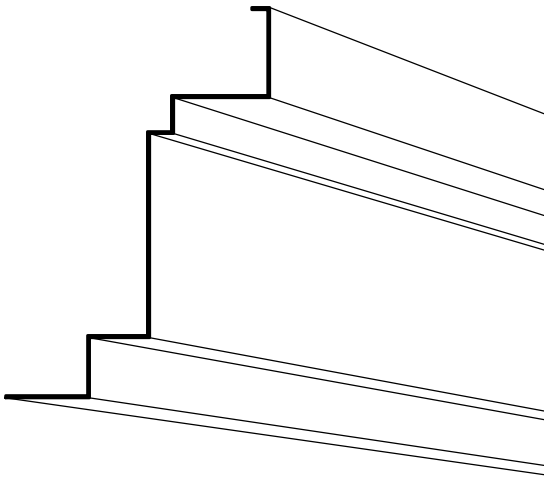
C-521

DEPTH: 9"  
HEIGHT: 1'-4 1/4"



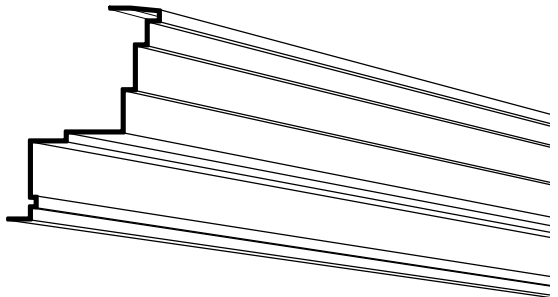
C-522

DEPTH: 1'-10"  
HEIGHT: 2'-8 1/2"



C-523

DEPTH: 1'-0 3/4"  
HEIGHT: 1'-5 3/4"



CORNICE

SHEET NO.

**C-56**

2020

PROFILES

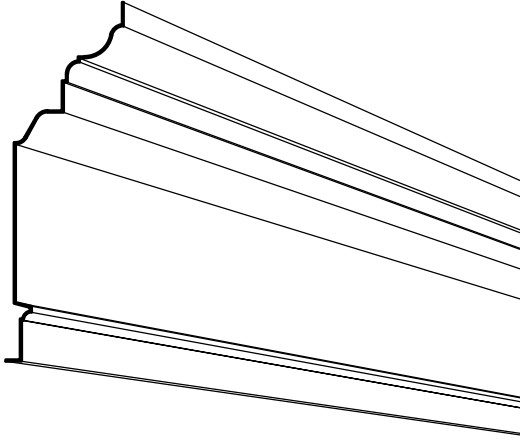


**ARCHITECTURAL FIBERGLASS, INC.**

8300 BESSEMER AVE., CLEVELAND, OHIO 44127-1839  
(216) 641-8300 - FAX:(216) 641-8150  
[www.fiberglass-afi.com](http://www.fiberglass-afi.com)

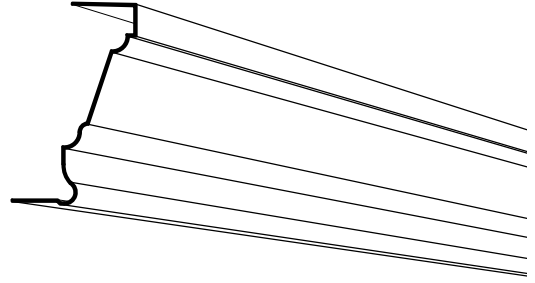
C-524

DEPTH: 1'-2 3/4"  
HEIGHT: 3'-8 7/8"



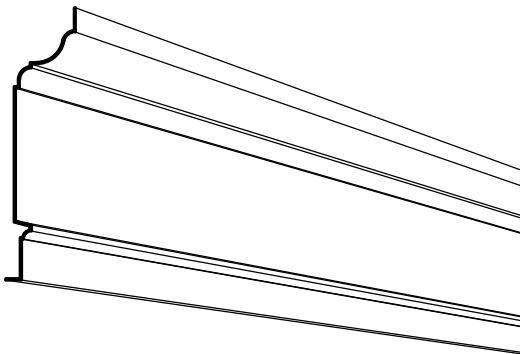
C-525

DEPTH: 1'-3 9/16"  
HEIGHT: 2'-1 3/16"



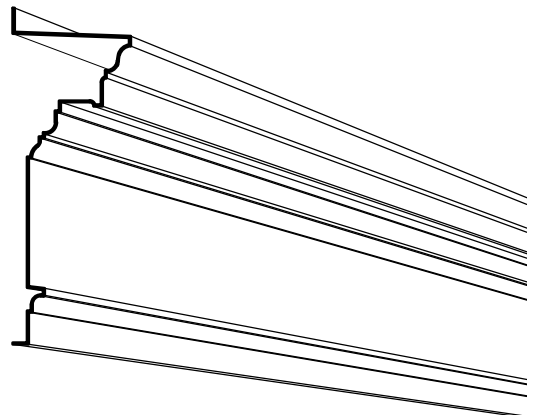
C-526

DEPTH: 8 3/4"  
HEIGHT: 2'-10"



C-527

DEPTH: 1'-2 3/4"  
HEIGHT: 3'-6"



CORNICE

SHEET NO.

**C-57**

2020

PROFILES



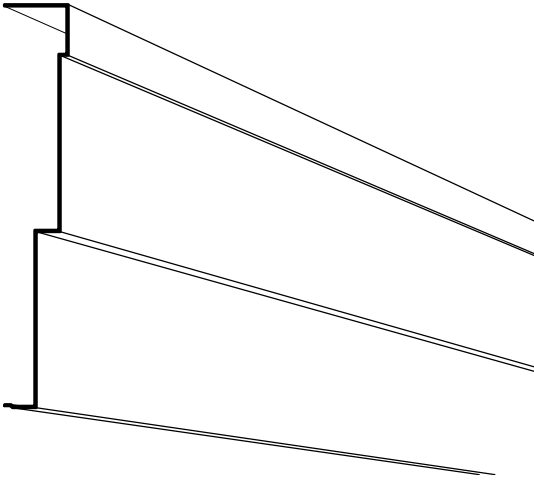
**ARCHITECTURAL FIBERGLASS, INC.**

8300 BESSEMER AVE., CLEVELAND, OHIO 44127-1839  
(216) 641-8300 - FAX:(216) 641-8150  
[www.fiberglass-afi.com](http://www.fiberglass-afi.com)

C-528

DEPTH: 8"

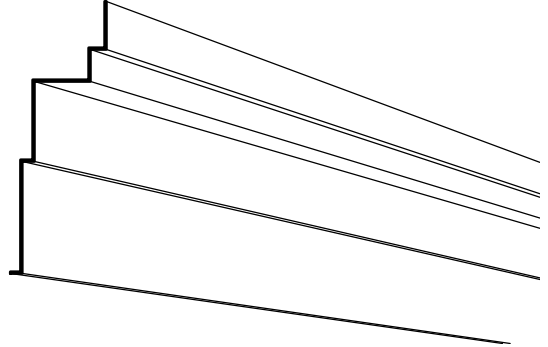
HEIGHT: 4'-2 3/8"



C-529

DEPTH 1'-0"

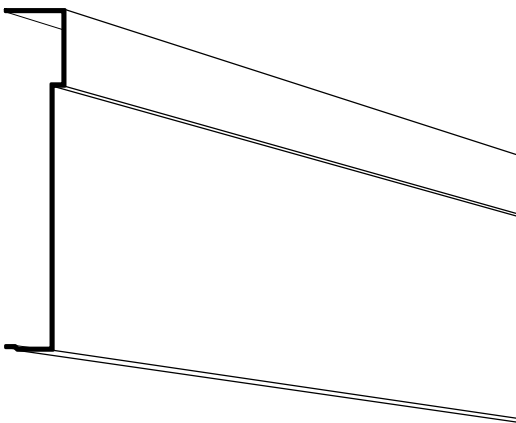
HEIGHT: 2'-10"



C-530

DEPTH: 5"

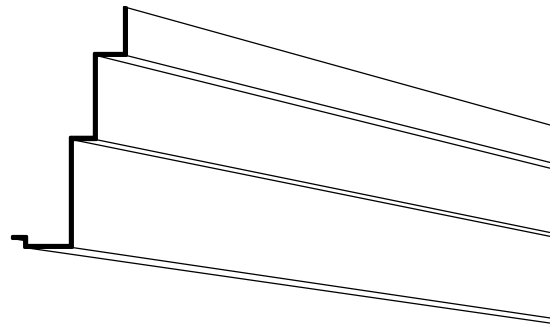
HEIGHT: 2'-4 3/8"



C-531

DEPTH: 9 1/2"

HEIGHT: 1'-8"



CORNICE

SHEET NO.

**C-58**

2020

PROFILES

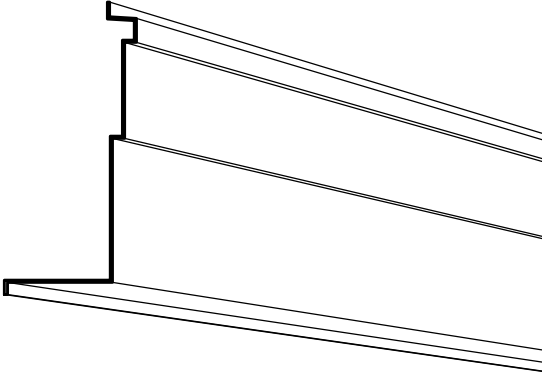


**ARCHITECTURAL FIBERGLASS, INC.**

8300 BESSEMER AVE., CLEVELAND, OHIO 44127-1839  
(216) 641-8300 - FAX:(216) 641-8150  
[www.fiberglass-afi.com](http://www.fiberglass-afi.com)

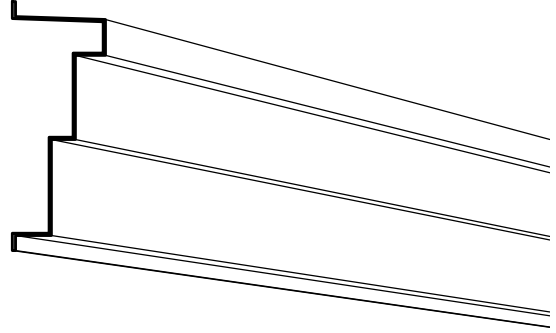
C-532

DEPTH: 11"  
HEIGHT: 2'-0 3/8"



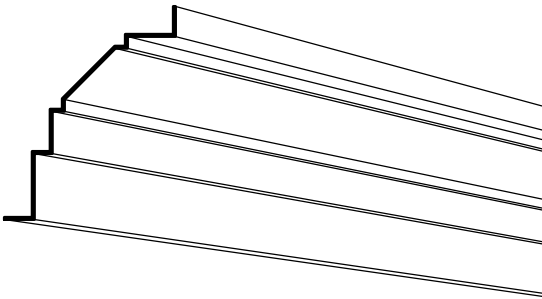
C-533

DEPTH: 7 3/4"  
HEIGHT: 1'-8 3/4"



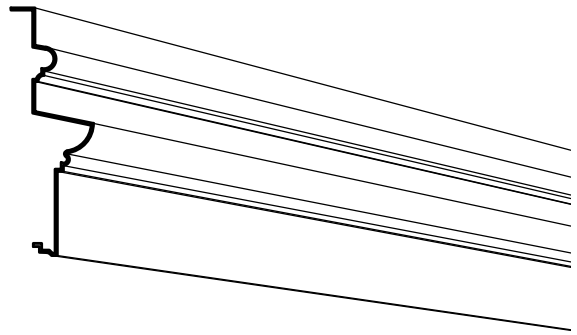
C-534

DEPTH: 1'-2 1/4"  
HEIGHT: 1'-5 3/4"



C-535

DEPTH: 5"  
HEIGHT: 1'-8 5/8"



CORNICE

SHEET NO.

**C-59**

2020

PROFILES

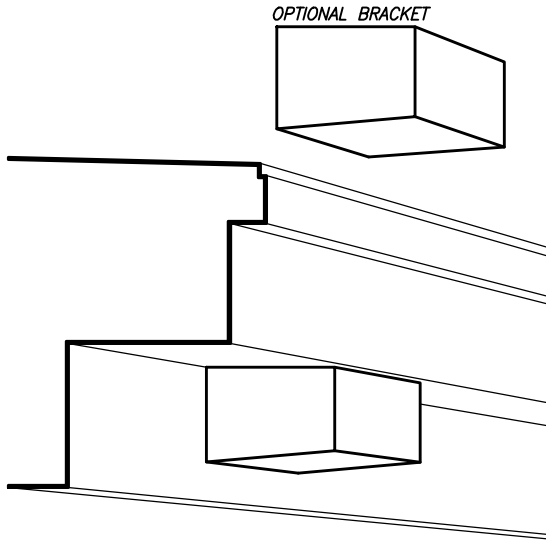


**ARCHITECTURAL FIBERGLASS, INC.**

8300 BESSEMER AVE., CLEVELAND, OHIO 44127-1839  
(216) 641-8300 - FAX:(216) 641-8150  
[www.fiberglass-afi.com](http://www.fiberglass-afi.com)

C-536

DEPTH: 1'-9 1/2"  
HEIGHT: 2'-3 1/2"



CORNICE

SHEET NO.

C-60

2020

PROFILES

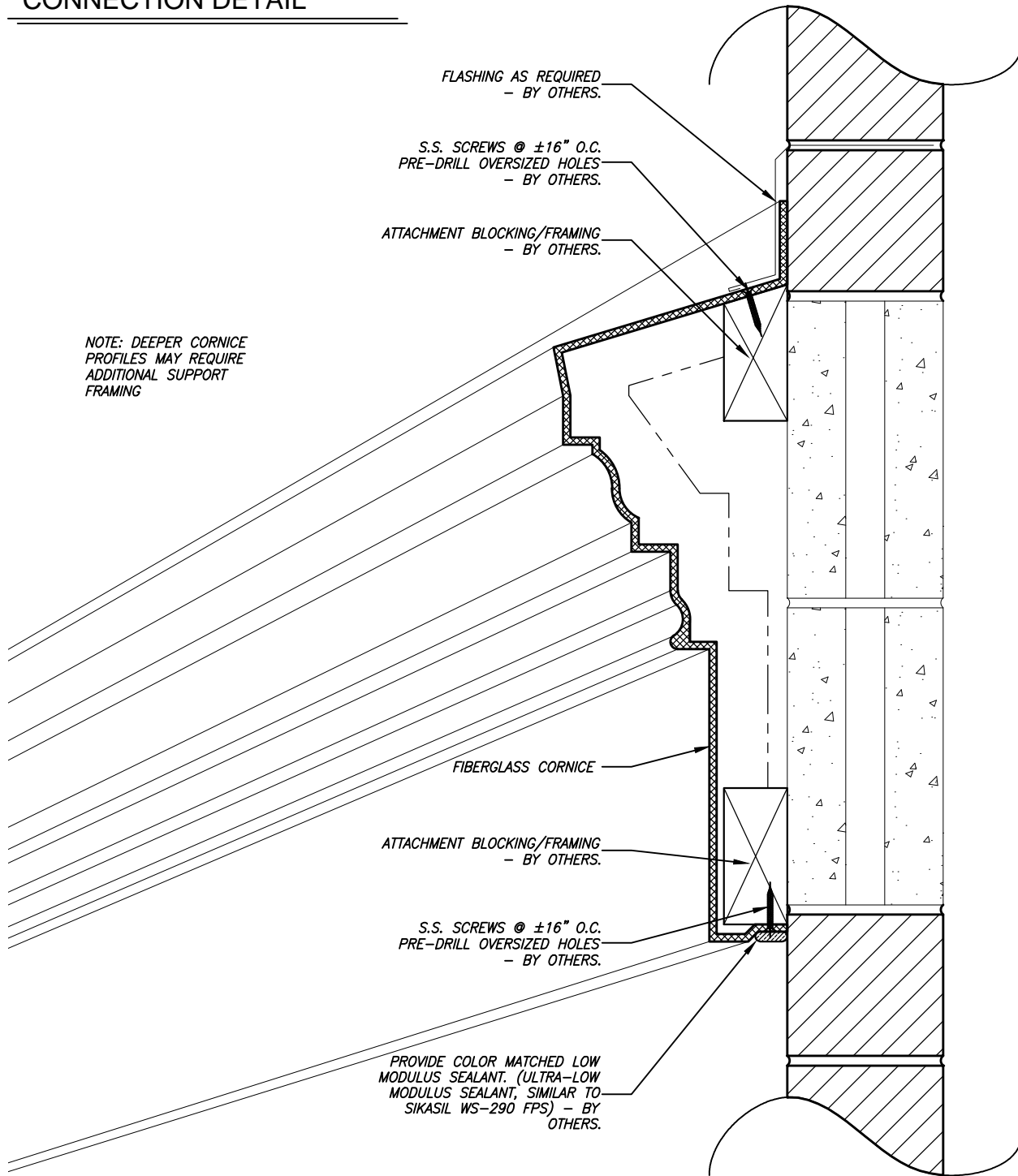


*ARCHITECTURAL FIBERGLASS, INC.*

8300 BESSEMER AVE., CLEVELAND, OHIO 44127-1839  
(216) 641-8300 - FAX:(216) 641-8150  
[www.fiberglass-afi.com](http://www.fiberglass-afi.com)



**WOOD BLOCKING  
CONNECTION DETAIL**



NOTE: DEEPER CORNICE  
PROFILES MAY REQUIRE  
ADDITIONAL SUPPORT  
FRAMING

FLASHING AS REQUIRED  
- BY OTHERS.

S.S. SCREWS @ ±16" O.C.  
PRE-DRILL OVERSIZED HOLES  
- BY OTHERS.

ATTACHMENT BLOCKING/FRAMING  
- BY OTHERS.

FIBERGLASS CORNICE

ATTACHMENT BLOCKING/FRAMING  
- BY OTHERS.

S.S. SCREWS @ ±16" O.C.  
PRE-DRILL OVERSIZED HOLES  
- BY OTHERS.

PROVIDE COLOR MATCHED LOW  
MODULUS SEALANT. (ULTRA-LOW  
MODULUS SEALANT, SIMILAR TO  
SIKASIL WS-290 FPS) - BY  
OTHERS.

CORNICE

SHEET NO.

**SD-1**

2020

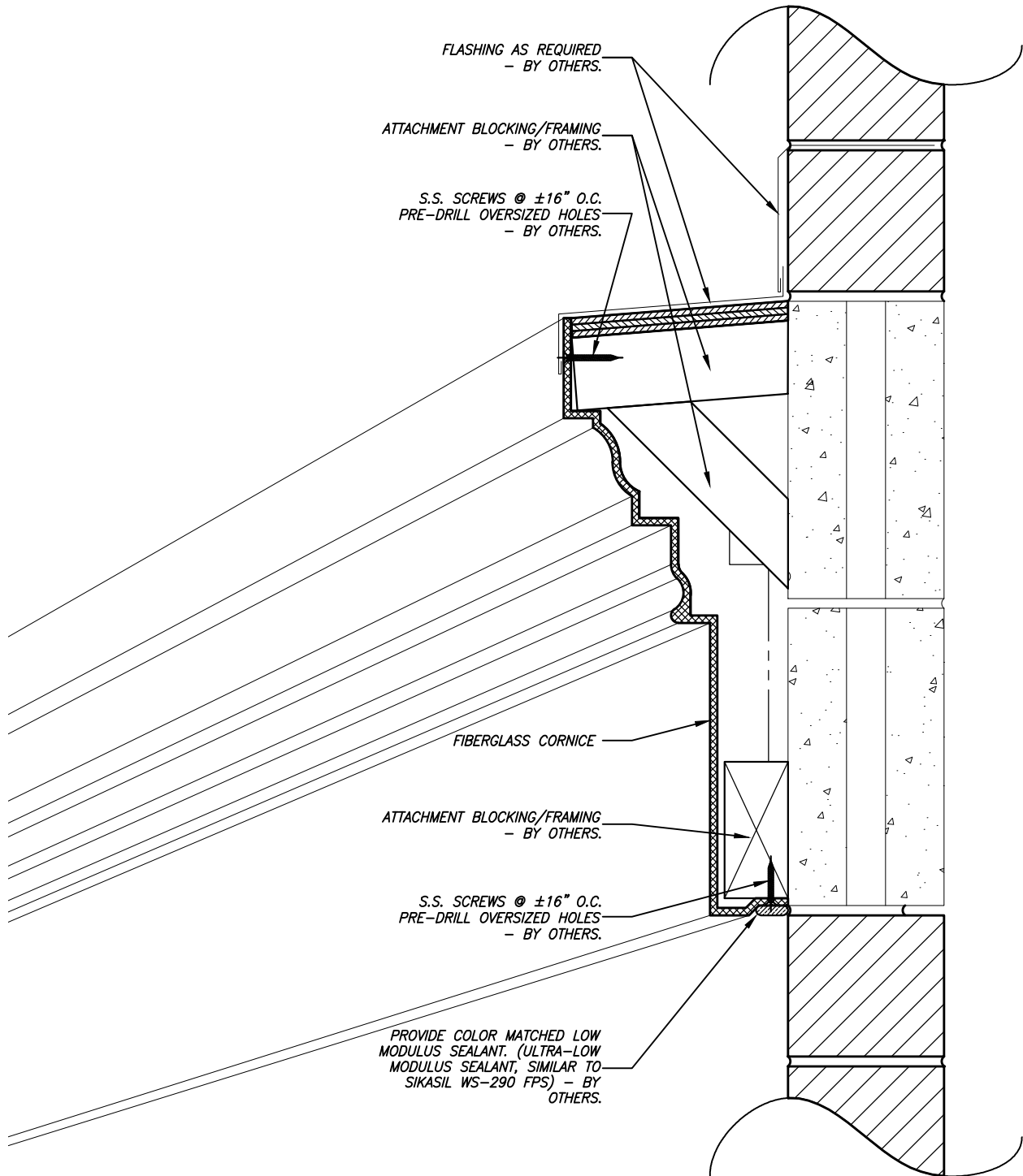
CONNECTIONS



**ARCHITECTURAL FIBERGLASS, INC.**

8300 BESSEMER AVE., CLEVELAND, OHIO 44127-1839  
(216) 641-8300 - FAX:(216) 641-8150  
www.fiberglass-afi.com

**SUPPORT FRAMING  
CONNECTION DETAIL**



CORNICE  
SHEET NO.  
**SD-2**  
2020

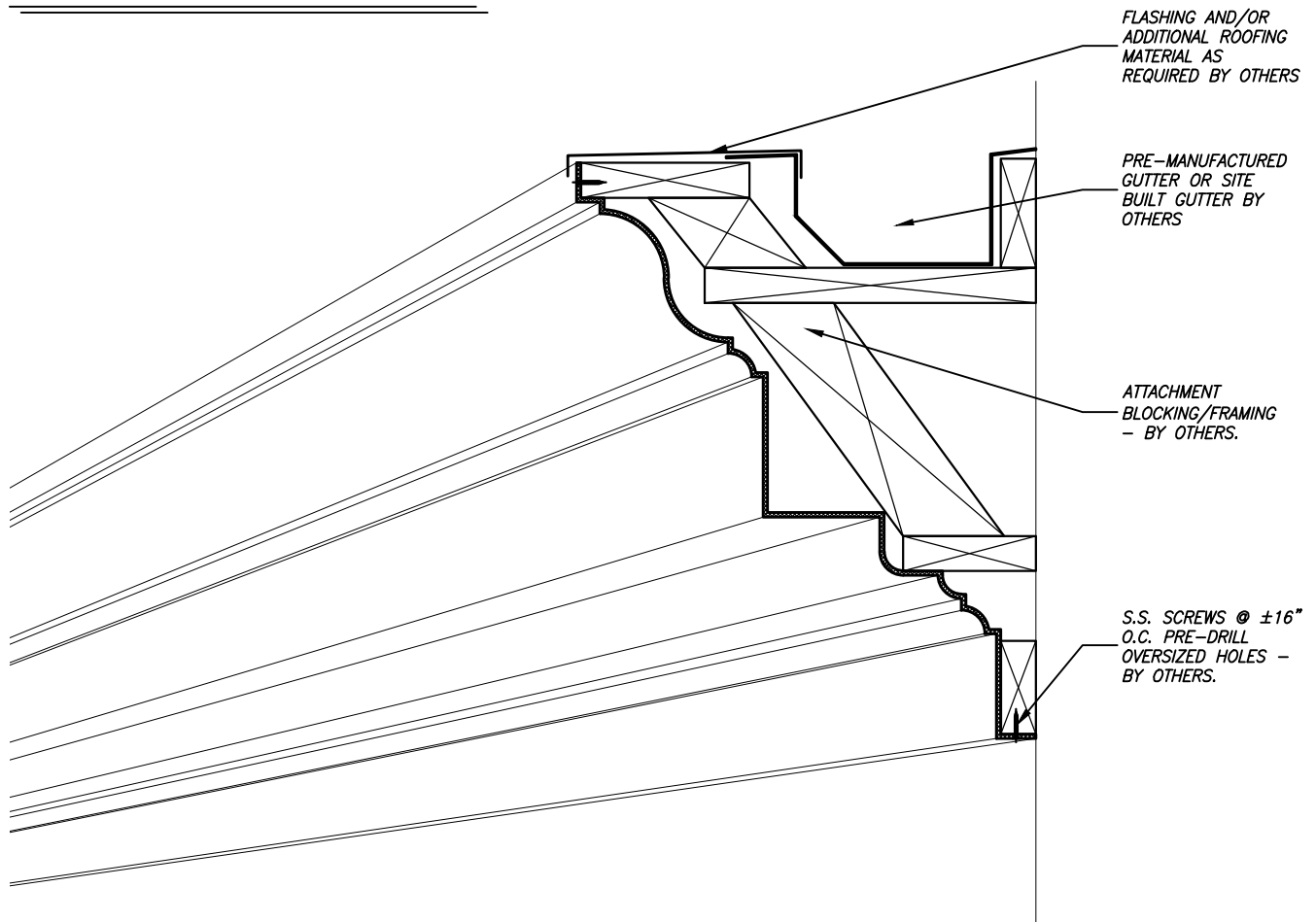
CONNECTIONS



**ARCHITECTURAL FIBERGLASS, INC.**

8300 BESSEMER AVE., CLEVELAND, OHIO 44127-1839  
(216) 641-8300 - FAX:(216) 641-8150  
www.fiberglass-afi.com

TYPICAL CORNICE  
WITH GUTTER INSTALLATION



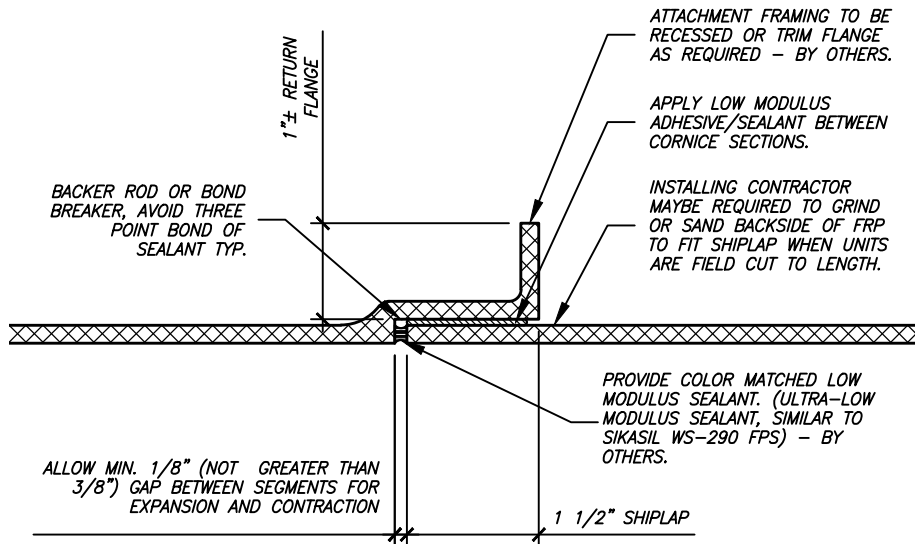
CORNICE  
SHEET NO.  
**SD-3**  
2020

INSTALLATION  
WITH GUTTERS

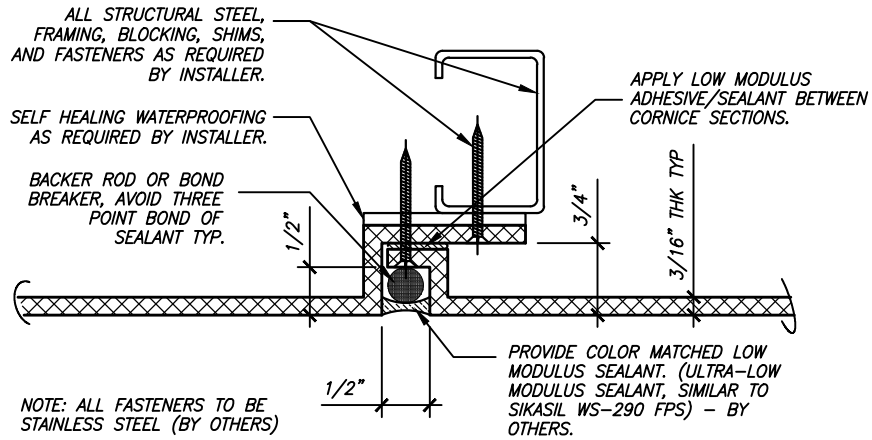


*ARCHITECTURAL FIBERGLASS, INC.*

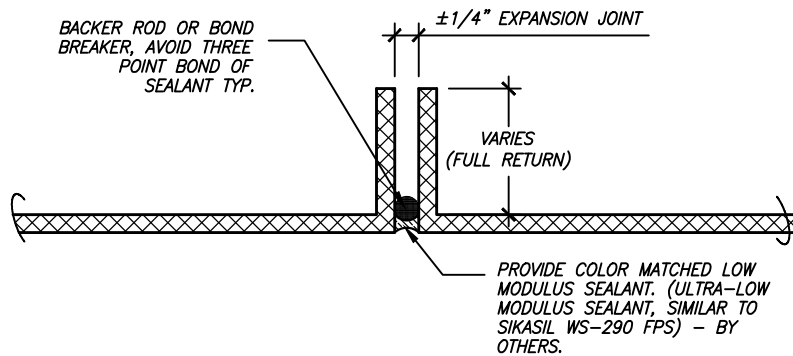
8300 BESSEMER AVE., CLEVELAND, OHIO 44127-1839  
(216) 641-8300 - FAX:(216) 641-8150  
www.fiberglass-afi.com



**TYPICAL SHIPLAP DETAIL**



**TYPICAL REVEAL DETAIL (SPECIAL ORDER)**



**TYPICAL BUTT JOINT DETAIL**

CORNICE  
SHEET NO.  
**SD-4**  
2020

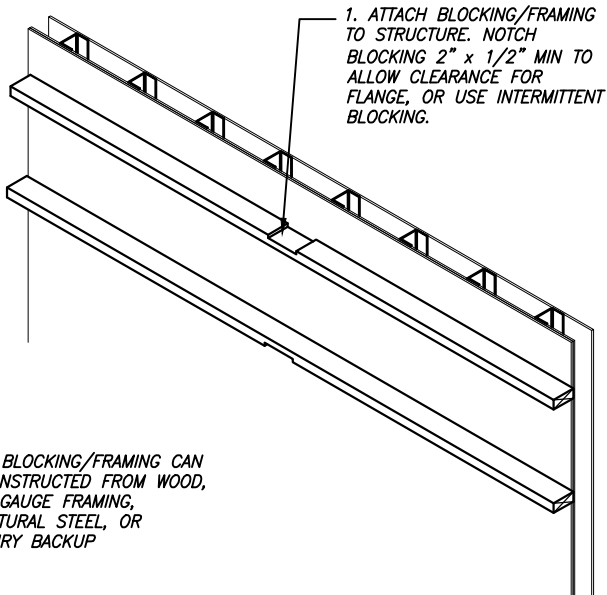
TYPICAL  
JOINT DETAILS



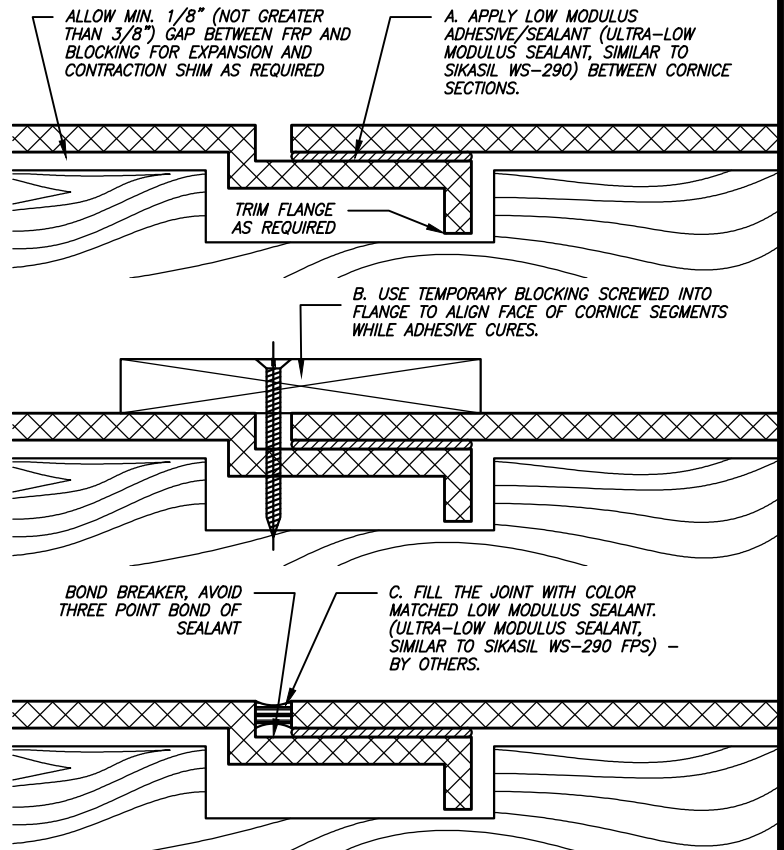
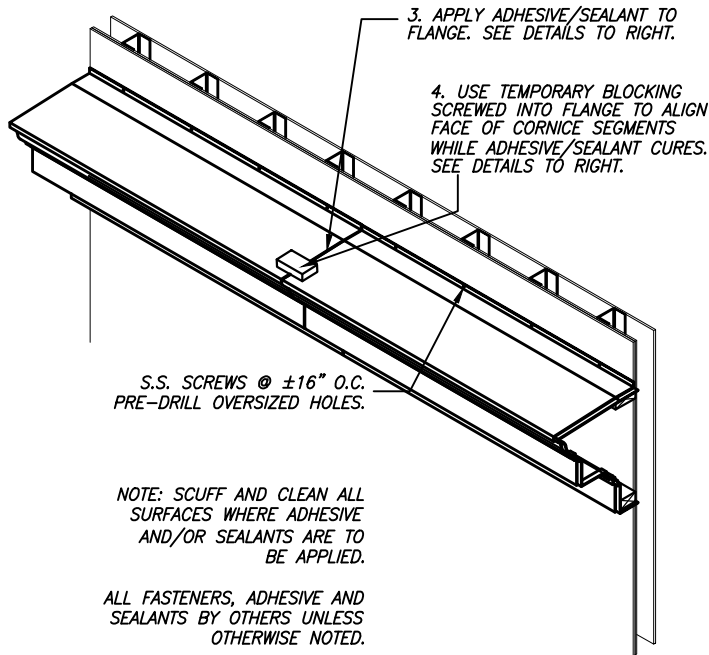
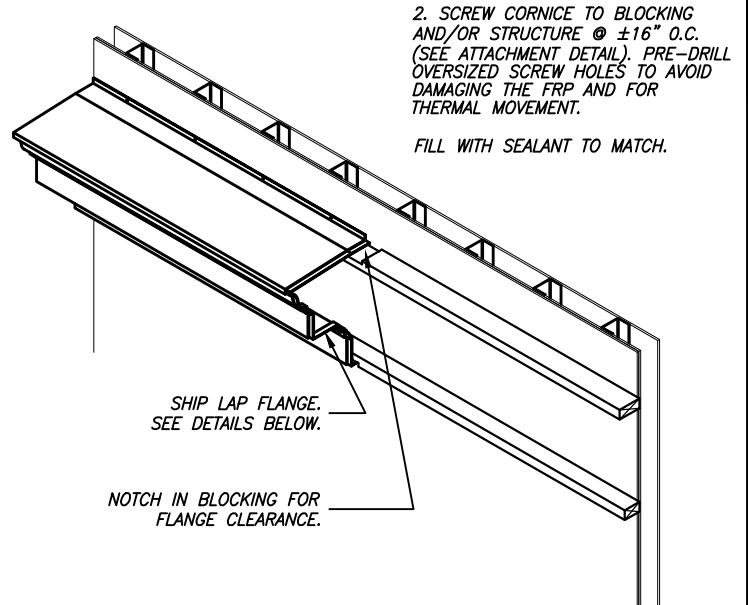
**ARCHITECTURAL FIBERGLASS, INC.**

8300 BESSEMER AVE., CLEVELAND, OHIO 44127-1839  
(216) 641-8300 - FAX:(216) 641-8150  
www.fiberglass-afi.com

# TYPICAL INSTALLATION FOR CORNICE WITH SHIP LAP JOINTS



NOTE: BLOCKING/FRAMING CAN BE CONSTRUCTED FROM WOOD, LIGHT GAUGE FRAMING, STRUCTURAL STEEL, OR MASONRY BACKUP



CORNICE  
SHEET NO.  
**SD-5**  
2020

TYPICAL  
INSTALLATION  
INSTRUCTIONS



**ARCHITECTURAL FIBERGLASS, INC.**

8300 BESSEMER AVE., CLEVELAND, OHIO 44127-1839  
(216) 641-8300 - FAX:(216) 641-8150  
www.fiberglass-afi.com



FIBERGLASS REINFORCED  
POLYESTER (FRP)  
COLUMN COVERS



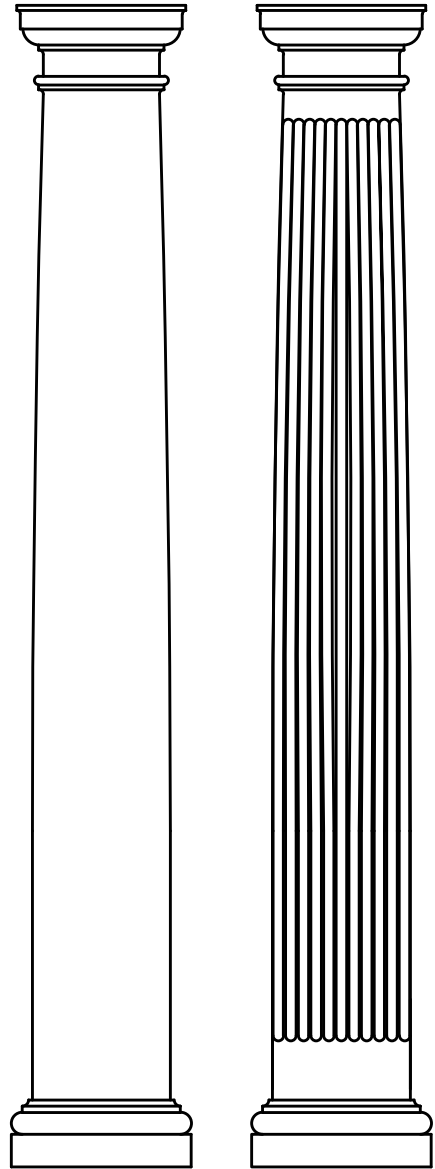
ARCHITECTURAL FIBERGLASS, INC.

8300 Bessemer Ave. \* Cleveland, OH 44127-1839 \* 216-641-8300 \* Fax 216-641-8150 \* [www.fiberglass-afi.com](http://www.fiberglass-afi.com)

## Fiberglass Reinforced Polyester (FRP) Column Covers

Usually referred to as Fiberglass Column Covers, they are manufactured with typical lightweight 3/16" thick fiberglass materials similar to a boat hull or a fiberglass shower surround. Fiberglass Column Covers serve no structural load-bearing capacities and are for decorative purposes only. Fiberglass Column Covers are hand-manufactured in halves specifically for use as wraps to conceal structural columns. Fiberglass Column Covers are the most versatile in design and are not limited to standard sizes. Various sizes and custom shapes can be achieved with the molding process. Fiberglass Column Covers can be pre-finished with a custom texture and colored gelcoat finishes, but joints and attachment points must be considered in the design. If painting is not the desired finish, custom designed joints can be created for vertical caulk joints. For standard column covers it is recommended that the columns be field painted so the vertical joint and attachment hardware can be field patched and repaired to create a monolithic column. Fiberglass Column Covers are most practical for large column diameters and custom sizes, designs and finishes, but may be more costly than the standard type Polymer Composite and Structural Columns.

- Weatherproof
- Insect Free
- Low Maintenance
- Customization
- Architecturally Correct



Smooth

Fluted

COLUMNS

SHEET NO.

CC-01

2020

FIBERGLASS  
COLUMN COVERS

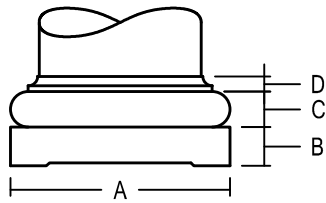


*ARCHITECTURAL FIBERGLASS, INC.*

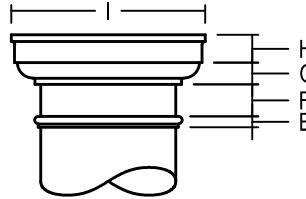
8300 BESSEMER AVE., CLEVELAND, OHIO 44127-1839  
(216) 641-8300 - FAX:(216) 641-8150  
[www.fiberglass-afi.com](http://www.fiberglass-afi.com)

# Fiberglass Reinforced Polyester (FRP) Column Covers

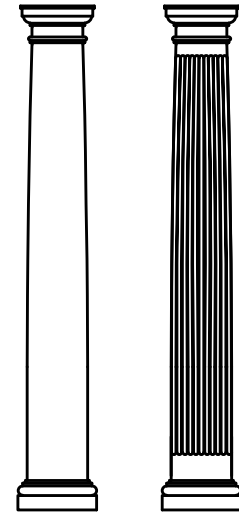
## Round Tapered Columns



Tuscan Base



Tuscan Profile & Cap



Round Tapered Shaft			Tuscan Base					Shaft Profile		Tuscan Cap			
Outside Diameter		Height	Plinth		Torus		Total	Astragal		Echinus	Abacus		Total
Bottom	Top		A	B	C	D	B-D	E	F	G	H	I	G-H
10"	8 1/2	6' - 12'	13 1/2	2 3/8	2 1/8	3/4	5 1/4	3/4	1 5/8	1 13/16	1 3/4	12 5/32	3 9/16
12"	10	6' - 12'	16 1/4	2 3/4	2 3/8	7/8	6	3/4	1 3/32	1 29/32	2	14 5/8	3 29/32
14"	12	8' - 16'	18 19/32	3 11/32	2 31/32	1	7 5/16	1	2 9/32	2 15/32	2 5/16	16 13/32	4 25/32
15"	12 1/2	8' - 10'	20	3 1/4	2 5/16	1 9/16	7 1/8	1 3/8	2 3/8	2 13/16	2 1/16	17 7/8	4 7/8
16"	13	8' - 12'	21 3/8	4	3 3/8	1 1/4	8 5/8	1 1/8	2 1/4	2 1/8	3	18 1/4	5 1/8
17"	14 1/2	8' - 10'	21 3/4	5	3 1/2	1 1/2	10	1 1/4	4 3/4	3	3 1/2	21	6 1/2
18"	15	8' - 24'	24 1/32	4 7/32	3 31/32	1 3/8	9 9/16	1 3/8	2 3/8	2 7/8	3	21 1/4	5 7/8
19"	16	10' - 15'	24 3/4	4 1/2	3	1 3/4	9 1/4	1 7/8	3 5/8	2 7/8	3 1/4	23 1/4	6 1/8
20"	17	10' - 24'	27	4 3/4	4 1/4	1 3/4	10 3/4	1 5/16	3 3/4	2 1/4	3 3/8	24 1/4	5 5/8
22"	18 1/2	10' - 22'	29 3/4	5 1/4	4 3/4	2 1/8	12 1/8	1 3/8	4	2 1/2	3 3/4	26 1/2	6 1/4
24"	20 1/8	8' - 20'	32	5 1/4	3 3/4	2 1/2	11 1/2	2 3/8	4 3/4	3 5/8	4 3/8	28 1/8	8
28"	24	10' - 25'	36	6	3 7/8	2 1/2	12 3/8	2 7/8	6 1/4	4 1/4	5	34	9 1/4
30"	25	16' - 30'	40 1/2	7 1/4	6 1/2	2 3/4	16 1/2	2 1/8	5 1/4	4 1/8	4 1/2	34 1/4	8 5/8
36"	30	18' - 28'	48 3/4	8 3/4	7 3/4	3 5/8	20 1/8	2 5/16	6 1/2	4 1/4	6 1/4	42 3/4	10 1/2
40" A	30	14' - 30'	52 3/4	8 1/2	6	4	18 1/2	3 1/2	9 3/8	6 5/8	7 1/4	46	13 7/8
40" B	33 5/16	14' - 30'	52 3/4	8 1/2	6	4	18 1/2	4 1/4	10 3/8	7 3/8	8	51 1/16	15 3/8
48"	39	20' - 30'	64	13	11	1	25	2 1/2	6	9	7 1/2	52	16 1/2

COLUMNS  
SHEET NO.  
**CC-02**  
2020

FIBERGLASS  
COLUMN COVERS

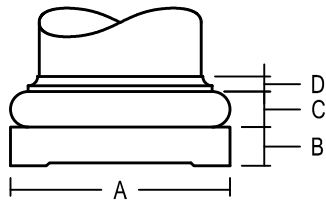
**ARCHITECTURAL FIBERGLASS, INC.**

8300 BESSEMER AVE., CLEVELAND, OHIO 44127-1839  
(216) 641-8300 - FAX:(216) 641-8150  
www.fiberglass-afi.com

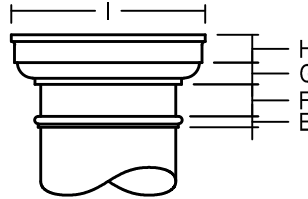


# Fiberglass Reinforced Polyester (FRP) Column Covers

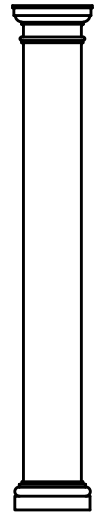
## Round Non-Tapered Columns



Tuscan Base



Tuscan Profile & Cap



Round Straight Shaft		Tuscan Base					Shaft Profile			Tuscan Cap		
Outside Diameter	Height	Plinth		Torus		Total B-D	Astragal		Echinus G	Abacus		Total G-H
		A	B	C	D		E	F		H	I	
10"	6' - 12'	13 1/2	2 3/8	2 1/8	3/4	5 1/4	3/4	1 1/8	1 3/4	2 1/4	14 3/8	4
12"	6' - 12'	16 1/4	2 3/4	2 3/8	7/8	6	1	2 1/4	2 1/4	2 1/2	16 1/2	4 3/4
14"	8' - 16'	18 19/32	3 11/32	2 31/32	1	7 5/16	1	2 5/8	2 3/8	2 3/4	19 1/8	5 1/8
16"	8' - 20'	21 3/8	4	3 3/8	1 1/4	8 5/8	1 3/8	2 3/8	2 7/8	3	21 3/8	5 7/8
18"	8' - 20'	24 1/32	4 7/32	3 31/32	1 3/8	9 9/16	1 1/2	3 1/4	2 3/4	3 3/8	24 1/4	6 1/8
20"	10' - 24'	27	4 3/4	4 1/4	1 3/4	10 3/4	1 1/2	3 1/2	3	3 3/4	26 5/8	6 3/4
22"	10' - 22'	29 3/4	5 1/4	4 3/4	2 1/8	12 1/8	1 5/8	4 1/8	3 1/8	4 1/8	28 3/4	7 1/4
24"	8' - 20'	32	5 1/4	3 3/4	2 1/2	11 1/2	1 3/4	4 1/2	3 1/2	4 1/2	31 1/2	8
30"	16' - 24'	40 1/2	7 1/4	6 1/2	2 3/4	16 1/2	2	5 1/4	4 1/4	5 1/2	40	9 3/4

\* Actual outside diameters are approximately 5/16" to 1/2" less than shown.  
 + All columns available fluted.

COLUMNS  
 SHEET NO.  
**CC-03**  
 2020

FIBERGLASS  
 COLUMN COVERS



**ARCHITECTURAL FIBERGLASS, INC.**

8300 BESSEMER AVE., CLEVELAND, OHIO 44127-1839  
 (216) 641-8300 - FAX:(216) 641-8150  
 www.fiberglass-afi.com

COLUMN COVER INSTALLATION INSTRUCTIONS

1. COLUMN COVER SHAFTS, BASES AND CAPITALS ARE LABELED "A" AND "B" AS MATCHING SETS. IF THEY ARE NOT LABELED THEY ARE ALL IDENTICAL AND MATCH ACCORDINGLY.
2. THE SHAFT SHOULD BE SIZED TO THE OVERALL HEIGHT FROM THE FLOOR TO THE CEILING. ALWAYS CUT THE SHAFT AT THE FLOOR LEVEL. SHAFTS CAN BE CUT WITH A HACKSAW OR GRINDER. CUT OR SHIM TO ALLOW FOR ANY PITCH ON THE FLOOR. THE COLUMN SHAFT SHOULD SPAN THE ENTIRE DISTANCE FROM FLOOR TO THE CEILING OR TOP OF COLUMN.
3. BLOCKING SHOULD BE INSTALLED FOR ATTACHMENT OF COLUMN COVER TO STRUCTURE AND TO COLUMN CAPITAL, SHAFT AND BASE. IT IS RECOMMENDED THAT NON-CORROSIVE MATERIAL BE USED FOR BLOCKING. THE BLOCKING SHOULD BE PERMANENTLY ATTACHED TO THE BEAM, FLOOR OR CEILING AND SNUG WITH THE COLUMN CAPITAL, SHAFT AND BASE. AN L-BRACKET CAN ALSO BE USED TO SECURE COLUMN SHAFTS AND BASES IF DESIRED. L-BRACKETS CAN BE SCREWED, BOLTED OR RIVETED TO THE COLUMN AND/OR BASE.
4. APPLY A HIGH QUALITY CONSTRUCTION ADHESIVE (RECOMMENDED: WELD-ON STRUCTURAL METHACRYLATE ADHESIVE SS218 SERIES; OR LORD 7545-F URETHANE ADHESIVE) TO THE BUTT-JOINT OF EACH COLUMN TO BOND THE HALVES TOGETHER. MAKE SURE FLANGES ARE FREE FROM DIRT AND DUST. ALIGN, JOIN AND SECURE HALVES TOGETHER THE ENTIRE LENGTH OF THE COLUMN WITH BINDING STRAPS. USE A RUBBER Mallet OR WOOD BLOCKS WHERE NECESSARY TO GET THE TWO SIDES OF THE SEAM TO ALIGN. STRAPS SHOULD BE USED EVERY 12"-16" ALONG THE FULL HEIGHT OF THE COLUMN. EXCESS GLUE FROM THE JOINT SHOULD BE CLEANED BEFORE CURING.
5. THE COLUMN SHOULD BE SECURED TO THE BLOCKING OR L-BRACKET WITH COUNTERSUNK SCREWS OR RIVETS. MAKE SURE THE COLUMN IS SECURE FROM TOP TO BOTTOM TO THE BLOCKING.
6. SECURE THE CAPITAL AND BASE AROUND THE COLUMN SHAFT IN THE SAME MANNER AS THE SHAFT. THE BASE MAY NEED TO BE CUT OR SANDED TO ACCOMMODATE THE LEVELING OF THE FLOOR. THE CAPITAL AND BASE SHALL BE INSTALLED AROUND THE OUTSIDE OF THE SHAFT. THE SHAFT DOES NOT SIT ON TOP OF THE BASE.
7. SAND THE EXCESS GLUE ALONG THE COLUMN JOINT AND PREPARE FOR PROPER ADHESION OF BODY FILLER (BONDO). APPLY A LAYER OF POLYESTER BODY FILLER OVER THE JOINTS (BONDO). ALSO FILL ANY VISIBLE SCREW HEADS AND RIVETS WITH POLYESTER BODY FILLER (BONDO).
8. SAND JOINTS AND SCREW HEADS TO A UNIFORM FINISH. APPLY MORE BODY FILLER AND SAND AS NEEDED. CAULK GAPS BETWEEN SHAFT, BASE AND CAPITAL AS DESIRED.
9. PRIME THE JOINTS AND PATCHED AREAS. BEFORE PAINTING THE COLUMN IT IS RECOMMENDED TO LIGHTLY SAND, OR DEGLOSS THE ENTIRE COLUMN WITH A SCOTCHBRITE PAD OR 200-400 GRIT PAPER TO PREPARE FOR PAINTING.
10. WIPE DOWN THE COLUMN TO REMOVE ANY DUST AND RESIDUE. USE A HIGH QUALITY OIL BASE PAINT. PRIMER IS NOT NEEDED IF THE OIL BASE PAINT IS THE DESIRED COLOR. FOR THE BEST DURABILITY AND ADHESION TO THE COLUMN SURFACE WE RECOMMEND OIL BASE PAINT. IF AN ACRYLIC LATEX PAINT IS DESIRED, WE RECOMMEND USING A HIGH QUALITY PRIMER LIKE SHERWIN WILLIAMS PREPRITE ANCHOR BOND AND A TOPCOAT LIKE SHERWIN WILLIAMS SUPER PAINT. FOLLOW THE SAME PROCEDURE FOR THE CAP AND BASE.

COLUMNS

SHEET NO.

CC-04

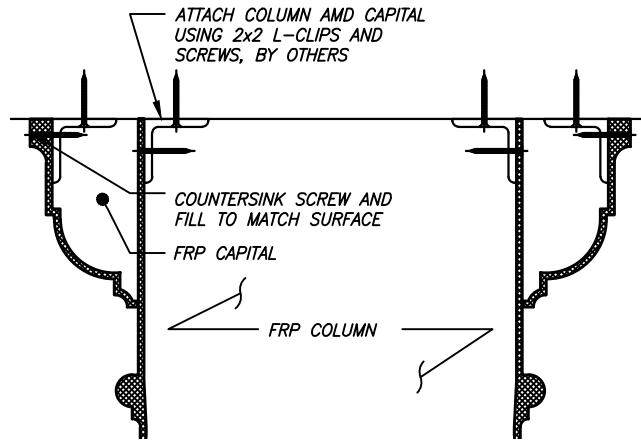
2020

FIBERGLASS  
COLUMN COVERS

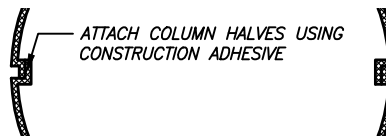


**ARCHITECTURAL FIBERGLASS, INC.**

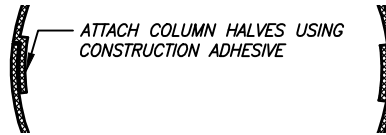
8300 BESSEMER AVE., CLEVELAND, OHIO 44127-1839  
(216) 641-8300 - FAX:(216) 641-8150  
www.fiberglass-afi.com



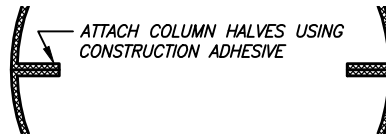
ATTACHMENT AT CAPITAL



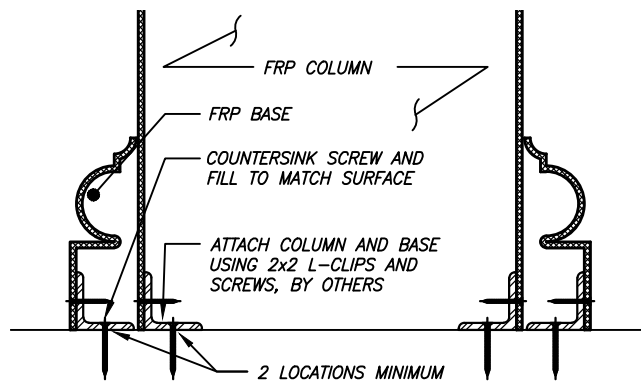
REVEAL JOINT (SPECIAL ORDER)



SHIP LAP JOINT (SPECIAL ORDER)



BUTT JOINT (STANDARD)



ATTACHMENT AT BASE

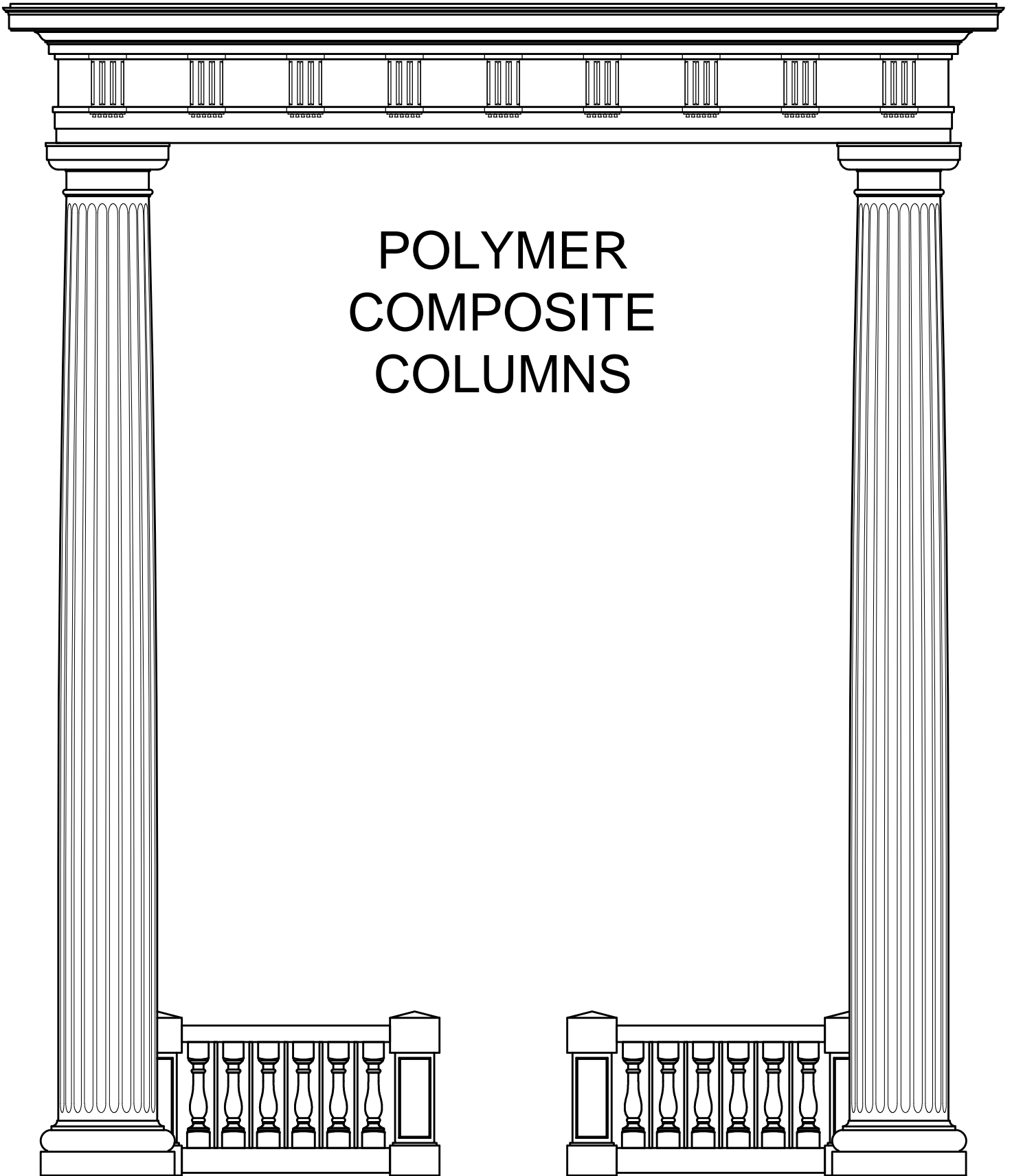
COLUMNS  
SHEET NO.  
**SD-01**  
2020

ATTACHMENT  
DETAILS



**ARCHITECTURAL FIBERGLASS, INC.**

8300 BESSEMER AVE., CLEVELAND, OHIO 44127-1839  
(216) 641-8300 - FAX:(216) 641-8150  
www.fiberglass-afi.com



POLYMER  
COMPOSITE  
COLUMNS



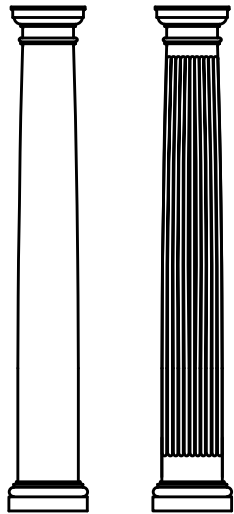
ARCHITECTURAL FIBERGLASS, INC.

8300 Bessemer Ave. \* Cleveland, OH 44127-1839 \* 216-641-8300 \* Fax 216-641-8150 \* [www.fiberglass-afi.com](http://www.fiberglass-afi.com)

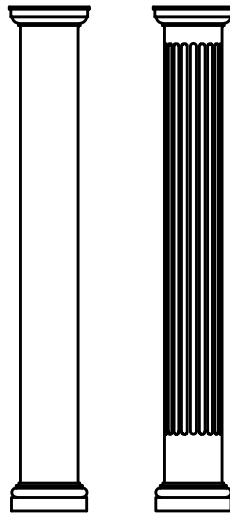
# Centrifugal Spun Cast Fiberglass Reinforced Polymer (FRP) Composite Columns

Usually referred to as Polymer Composite Columns, they are manufactured as structural columns but can be used as column covers. They are hollow throughout which allows the columns to be factory split in halves to wrap structural posts. These columns are the most dense and heaviest of all the fiberglass materials. The column material thickness is from 1/4" to over 1" and is similar to concrete or cultured marble. The advantage of polymer columns is that they are very hard to the touch and solid sounding if knocked upon. Columns can be manufactured in standard sizes that range from 6" to 24" diameters. Heights range from 6' to 24'. They have load-bearing capacities from 6,000 to 20,000 pounds. Columns are tapered, straight, smooth or fluted, and can be manufactured with decorative capitals. Polymer Composite Columns are mass produced and the most economical and practical for smaller sized commodity type columns ranging from 6" diameter to 14" diameter and are still fairly manageable despite their heavy weight. Columns larger than 14" diameter may require additional manpower or lifting equipment. All Polymer Composite Columns need to be painted after installation and the design is limited only to the standard sizes listed in the tables on the following pages.

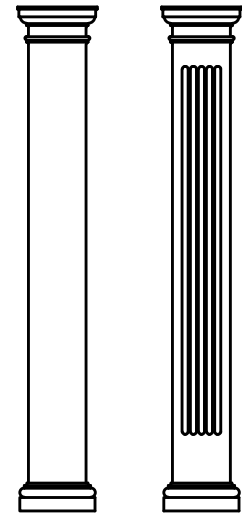
- Weatherproof
- Insect Free
- Low Maintenance
- Load-Bearing
- Architecturally Correct



Smooth  
Fluted  
Round Tapered



Smooth  
Fluted  
Round Non-Tapered



Smooth  
Fluted  
Square Non-Tapered

COLUMNS  
SHEET NO.  
**PC-01**  
2020

POLYMER  
COMPOSITE  
COLUMNS

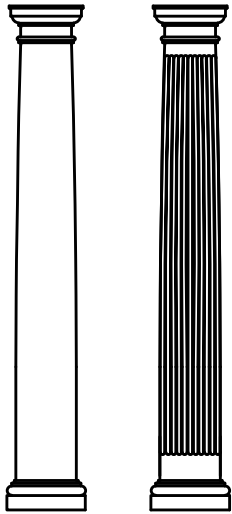


*ARCHITECTURAL FIBERGLASS, INC.*

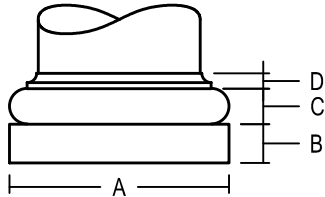
8300 BESSEMER AVE., CLEVELAND, OHIO 44127-1839  
(216) 641-8300 - FAX:(216) 641-8150  
www.fiberglass-afi.com

# Centrifugal Spun Cast Fiberglass Reinforced Polymer (FRP) Composite Columns

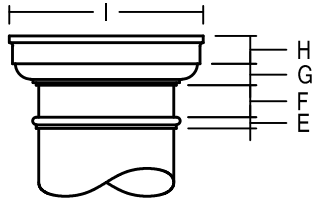
## Round Tapered Columns



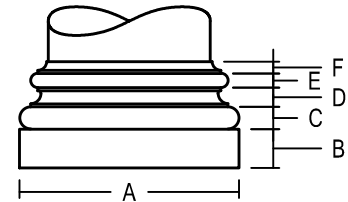
Nominal Shaft Diameter	Optional Attic Base						Total B-F
	Plinth		Torus				
	A	B	C	D	E	F	
6"	7 15/16	1					3 1/2
8"	10 7/8	1 7/8	1 1/8	7/8	3/4	1/2	5 1/8
10"	13 1/2	2 3/8	1 1/4	1 1/8	7/8	5/8	6 1/4
12"	16 1/8	2 3/4	1 1/2	1 3/8	1	5/8	7 1/4
14"	18 1/2	3 5/16	1 3/4	1 21/32	1 1/4	11/16	8 21/32
16"	21 3/16	3 3/4	2 7/32	1 7/8	1 15/32	13/16	10 1/8
18"	23 15/16	4 7/32	2 11/32	2 1/8	1 7/16	1 1/8	11 1/4
20"	27 1/16	4 3/4	2 11/16	2 3/8	1 3/4	1 7/16	13
24"	32 1/2	5 3/4	3 5/16	2 13/16	2 1/8	1 3/4	15 3/4



Tuscan Base



Tuscan Profile & Cap



Optional Attic Base

Round Tapered Shaft			Tuscan Base					Shaft Profile		Tuscan Cap			
Outside Diameter*		Height	Plinth		Torus		Total B-D	Astragal		Echinus G	Abacus		Total G-H
Bottom	Top		A	B	C	D		E	F		H	I	
6"	4 3/4	5' - 8'	7 31/32	1 1/2	1 1/4	15/32	3 7/32	1/2	31/32	31/32	1 1/16	7 1/2	2 1/32
8"	6 1/2	5' - 10'	10 7/8	1 7/8	1 3/4	5/8	4 1/4	1/2	1 3/4	1 5/16	1 3/8	9 7/8	2 11/16
10"	8 1/2	4' - 12'	13 1/2	2 3/8	2 1/8	3/4	5 1/4	3/4	1 5/8	1 13/16	1 3/4	12 5/32	3 9/16
12"	10	5' - 16'	16 1/4	2 3/4	2 3/8	7/8	6	3/4	1 3/32	1 29/32	2	14 5/8	3 29/32
14"	12	6' - 20'	18 19/32	3 11/32	2 31/32	1	7 5/16	1	2 9/32	2 15/32	2 5/16	16 13/32	4 25/32
16"	13 1/2	5' - 20'	21 5/16	3 27/32	3 11/32	1 1/8	8 5/16	1	2 1/4	2 23/32	2 23/32	19 3/32	5 7/16
18"	15	8' - 24'	24 1/32	4 7/32	3 31/32	1 3/8	9 9/16	1	2 1/4	2 31/32	2 31/32	21 5/16	5 15/16
20"	17	6' - 24'	27	4 3/4	4 1/16	1 3/4	10 9/16	1 5/16	2 3/4	3 1/8	3 7/16	24 1/4	6 9/16
24"	20	8' - 24'	32 1/2	5 3/4	5 1/4	2 1/4	13 1/4	1 5/8	4 3/4	3 3/16	4 1/8	28 3/4	7 5/16

\* Actual outside diameters are approximately 5/16" to 1/2" less than shown.  
 + All columns available fluted.  
 See PC-05 for load capacity and inside clearance

COLUMNS  
 SHEET NO.  
**PC-02**  
 2020

POLYMER  
 COMPOSITE  
 COLUMNS

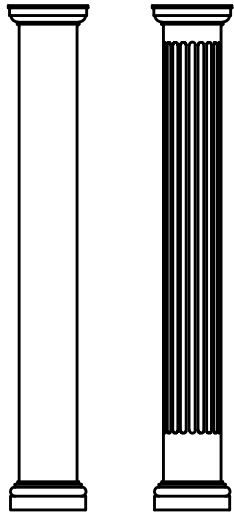


**ARCHITECTURAL FIBERGLASS, INC.**

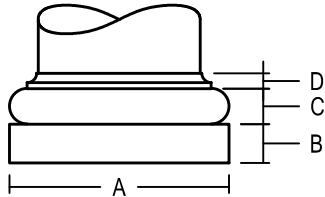
8300 BESSEMER AVE., CLEVELAND, OHIO 44127-1839  
 (216) 641-8300 - FAX:(216) 641-8150  
 www.fiberglass-afi.com

# Centrifugal Spun Cast Fiberglass Reinforced Polymer (FRP) Composite Columns

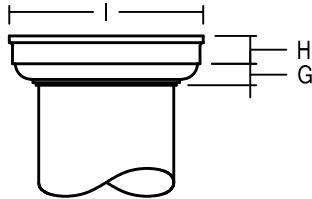
## Round Non-Tapered Columns



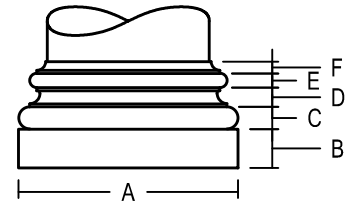
Nominal Shaft Diameter	Optional Attic Base						Total B-F
	Plinth		Torus				
	A	B	C	D	E	F	
6"	7 15/16	1					3 1/2
8"	10 7/8	1 7/8	1 1/8	7/8	3/4	1/2	5 1/8
10"	13 1/2	2 3/8	1 1/4	1 1/8	7/8	5/8	6 1/4
12"	16 1/8	2 3/4	1 1/2	1 3/8	1	5/8	7 1/4
14"	18 1/2	3 5/16	1 3/4	1 21/32	1 1/4	11/16	8 21/32
16"	21 3/16	3 3/4	2 7/32	1 7/8	1 15/32	13/16	10 1/8
18"	23 15/16	4 7/32	2 11/32	2 1/8	1 7/16	1 1/8	11 1/4
20"	27 1/16	4 3/4	2 11/16	2 3/8	1 3/4	1 7/16	13
24"	32 1/2	5 3/4	3 5/16	2 13/16	2 1/8	1 3/4	15 3/4



Tuscan Base



Tuscan Profile & Cap



Optional Attic Base

Round Straight Shaft		Tuscan Base					Tuscan Cap			
Outside Diameter	Height	Plinth		Torus		Total	Echinus	Abacus		Total
		A	B	C	D	B-D	G	H	I	G-H
8"	8' - 10'	10 7/8	1 7/8	1 3/4	5/8	4 1/4	1 13/16	1 3/4	12 5/32	3 9/16
10"	8' - 10'	13 1/2	2 3/8	2 1/8	3/4	5 1/4	1 29/32	2	14 5/8	3 29/32
12"	8' - 12'	16 1/4	2 3/4	2 3/8	7/8	6	2 15/32	2 5/16	16 13/32	4 25/32
14"	8' - 14'	18 19/32	3 11/32	2 31/32	1	7 5/16	2 23/32	2 23/32	19 3/32	5 7/16
16"	8' - 10'	21 5/16	3 27/32	3 11/32	1 1/8	8 5/16	2 31/32	2 31/32	21 5/16	5 15/16
18"	8' - 11'	24 1/32	4 7/32	3 31/32	1 3/8	9 9/16	3 1/8	3 7/16	24 1/4	6 9/16
20"	8' - 11'	27	4 3/4	4 1/16	1 3/4	10 9/16	3 3/16	4 1/8	28 3/4	7 5/16
24"	8' - 15'	32 1/2	5 3/4	5 1/4	2 1/4	13 1/4	4 7/16	5 1/8	35 3/4	9 9/16

\* Actual outside diameters are approximately 5/16" to 1/2" less than shown.  
 + All columns available fluted.  
 See PC-05 for load capacity and inside clearance

COLUMNS  
 SHEET NO.  
**PC-03**  
 2020

POLYMER  
 COMPOSITE  
 COLUMNS

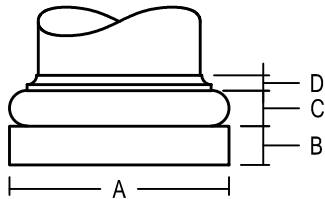
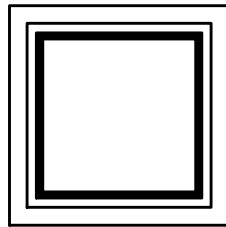


**ARCHITECTURAL FIBERGLASS, INC.**

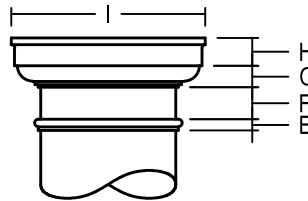
8300 BESSEMER AVE., CLEVELAND, OHIO 44127-1839  
 (216) 641-8300 - FAX:(216) 641-8150  
 www.fiberglass-afi.com

# Centrifugal Spun Cast Fiberglass Reinforced Polymer (FRP) Composite Columns

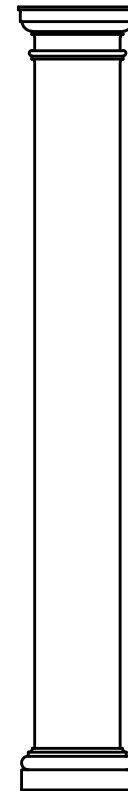
## Square Non-Tapered Columns



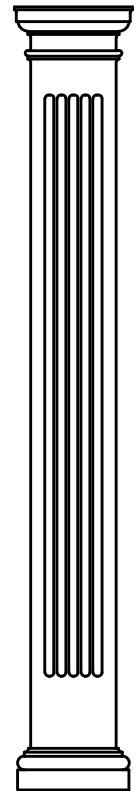
Tuscan Base



Tuscan Profile & Cap



Smooth



Fluted

Square Straight Shaft		Tuscan Base					Shaft Profile		Tuscan Cap			
Outside Width	Height	Plinth		Torus		Total	Astragal		Echinus	Abacus		Total
		A	B	C	D	B-D	E	F	G	H	I	G-H
6"	8' - 10'	8	1 1/2	1 1/4	15/32	3 7/32	3/4	1	31/32	1 1/16	8 7/16	2 1/32
8"	8' - 10'	10 7/8	1 7/8	1 3/4	5/8	4 1/4	3/4	1 3/4	1 3/4	1 3/8	11 1/4	2 11/16
10"	8' - 12'	13 1/2	2 3/8	2 1/8	3/4	5 1/4	3/4	1 9/16	1 13/16	1 3/4	13 7/32	3 9/16
12"	8' - 16'	17	2 3/4	2 3/8	7/8	6	3/4	1 1/8	1 7/8	2	17 1/4	3 7/8
14"	8' - 16'	18 13/16	3 3/8	2 15/16	1 1/16	7 3/8	1	2 3/16	2 15/32	2 11/32	18 11/16	4/1316

\* Actual outside widths are approximately 1/8" less than shown.  
 + All columns available fluted.  
 See PC-05 for load capacity and inside clearance

COLUMNS  
 SHEET NO.  
**PC-04**  
 2020

POLYMER  
 COMPOSITE  
 COLUMNS



**ARCHITECTURAL FIBERGLASS, INC.**

8300 BESSEMER AVE., CLEVELAND, OHIO 44127-1839  
 (216) 641-8300 - FAX:(216) 641-8150  
 www.fiberglass-afi.com



## Centrifugal Spun Cast Fiberglass Reinforced Polymer (FRP) Composite Columns Round Tapered Columns

NOMINAL SHAFT DIAMETER	LOAD CAPACITY		INSIDE CLEARANCE		TOP VIEW LOADING DEFINITIONS Concentric Loading      Eccentric Loading	
	CONCENTRIC LOAD	ECCENTRIC LOAD	INSIDE ROUND	INSIDE SQUARE		
6"	6,000	6,000	3 1/2"	2 1/2"		
8"	10,000	6,600	5"	3 1/2"		
10"	14,000	10,720	7"	4 15/16"		
12"	18,000	13,200	8 3/4"	6"		
14"	20,000	11,520	9"	6 3/8"		
16"	20,000	13,200	10 1/2"	7 7/16"		
18"	20,000	9,040	11 3/4"	8 5/16"		
20"	20,000	18,960	13 7/8"	10"		
24"	20,000	13,200	17"	12 3/16"		

## Centrifugal Spun Cast Fiberglass Reinforced Polymer (FRP) Composite Columns Round Non-Tapered Columns

NOMINAL SHAFT DIAMETER	LOAD CAPACITY		INSIDE CLEARANCE		TOP VIEW LOADING DEFINITIONS Concentric Loading      Eccentric Loading	
	CONCENTRIC LOAD	ECCENTRIC LOAD	INSIDE ROUND	INSIDE SQUARE		
8"	10,000	8,240	6 3/8"	4 1/2"		
10"	14,000	11,520	8"	5 5/8"		
12"	18,000	11,520	10 3/8"	7 5/16"		
14"	20,000	18,120	11 1/8"	7 7/8"		
16"	20,000	13,200	13"	9 3/16"		
18"	20,000	9,040	14 1/2"	10 1/4"		
20"	20,000	18,960	16 1/2"	11 5/8"		
24"	20,000	13,200	19 1/2"	13 3/4"		

## Centrifugal Spun Cast Fiberglass Reinforced Polymer (FRP) Composite Columns Square Non-Tapered Columns

NOMINAL SHAFT WIDTH	LOAD CAPACITY		INSIDE CLEARANCE		LOADING DEFINITIONS (top view)	
	CONCENTRIC LOAD	ECCENTRIC LOAD	INSIDE ROUND	INSIDE SQUARE		
6"	6,000	6,000	4 1/2"	4 1/2"		
8"	10,000	10,000	5 1/2"	5 1/2"		
10"	14,000	12,380	8 1/2"	8 1/2"		
12"	18,000	17,320	10 1/2"	10 1/2"		
14"	20,000	17,320	12 1/2"	12 1/2"		

COLUMNS  
SHEET NO.  
**PC-05**  
2020

POLYMER  
COMPOSITE  
COLUMNS



**ARCHITECTURAL FIBERGLASS, INC.**

8300 BESSEMER AVE., CLEVELAND, OHIO 44127-1839  
(216) 641-8300 - FAX:(216) 641-8150  
www.fiberglass-afi.com

### COLUMN INSTALLATION INSTRUCTIONS

1. MEASURE THE EXACT FLOOR TO CEILING HEIGHT USING A PLUMB TO INSURE ACCURACY.
2. CUT THE BOTTOM OF THE COLUMN SHAFT AS NEEDED TO ACHIEVE THE MEASUREMENT TAKEN IN STEP 1. USE AN ABRASIVE BLADE. CAUTION: BECAUSE ONLY THE SHAFT IS LOAD BEARING, ITS TOP AND BOTTOM EDGES MUST BE LEVEL TO ACHIEVE FULL, EVEN CONTACT BETWEEN LOAD SURFACES AND SHAFT. USE A RASP TO LEVEL AS REQUIRED. NOTE: ALL HEIGHT ADJUSTMENTS MUST BE MADE FROM THE BOTTOM OF THE SHAFT. FOR THE CAP TO FIT CORRECTLY, THE TOP OF THE SHAFT MUST BE TRIMMED ONLY ENOUGH TO ACHIEVE LEVEL CONTACT WITH LOAD SURFACES, OR TO ACHIEVE CORRECT INSTALLATION OF DECORATIVE CAPITALS.
3. SLIP ONE-PIECE CAP AND BASE ONTO COLUMN SHAFT (SEE FIGURE 1). THE TWO-PIECE CAP AND BASE ARE ATTACHED AFTER THE SHAFT IS INSTALLED. IF THIS COLUMN IS INSTALLED WHERE IT COULD COLLECT WATER OR DEBRIS, THE TOP OF THE COLUMN AND CAP MUST BE FLASHED (COVERED) TO PREVENT SUCH COLLECTION. USE LEAD, COPPER, ALUMINUM, GALVANIZED, ETC. FLASHING CUT SLIGHTLY LARGER THAN THE CAP, AND FOLD THE EDGES DOWN OVER THE CAP AFTER STEP 5. IT IS NOT PERMISSIBLE AT ANY TIME TO FILL THE INTERIOR OF THE COLUMN SHAFT WITH SAND, CONCRETE OR ANY OTHER MATERIAL.
4. IF INSTALLATION REQUIRES SOME METHOD OF SECURING THE COLUMN IN PLACE BEFORE LOAD IS APPLIED, AN L-BRACKET WITH NUTS AND BOLTS (SEE FIGURE 2) NOTE: ALWAYS DRILL CLEARANCE HOLES IN COLUMNS AND SECURE WITH THROUGH-BOLTS -- DO NOT USE SCREWS -- AND DO NOT OVER-TIGHTEN.
5. APPLY STANDARD CONSTRUCTION ADHESIVE TO FLASHING (IF USED), TOP SURFACE OF CAP AND BOTTOM SURFACE OF BASE; THEN TIP LOOSELY ASSEMBLED COLUMN SHAFT INTO POSITION, ALIGN FLASHING (IF USED), AND LOWER LOAD ONTO SHAFT TO HOLD IT IN POSITION. ALIGN SQUARE PART OF CAP WITH LOAD SURFACE (OR FLASHING) ABOVE AND PUSH UP AGAINST IT TO SECURE. ALIGN SQUARE PART OF BASE WITH LOAD SURFACE BELOW CAP AND PUSH DOWN UNTIL IT IS SECURE.
6. CAULK GAPS BETWEEN SHAFT AND CAP AND BASE AS DESIRED.
7. ALL ROUND COLUMNS ARE FACTORY SANDED. ALL SURFACES OF CAP AND BASE, SQUARE COLUMNS, AND THE CONCAVE AREA AT THE BOTTOM OF THE FLUTES ON FLUTED COLUMNS REQUIRE PREPARATION BY SANDING WITH 80 TO 100 GRIT SANDPAPER. SAND TO REMOVE ALL GLOSSY AREAS. ALWAYS FOLLOW THE INSTRUCTIONS OF THE PAINT MANUFACTURER.
  - A. TO PAINT WITH OIL BASE PAINT, REMOVE ALL DUST AND DIRT BY THOROUGHLY WIPING COLUMN WITH CLEANER COMPATIBLE WITH YOUR CHOSEN PAINT. ALLOW TO DRY COMPLETELY. USE A HIGH QUALITY OIL BASE PAINT. PRIMER IS NOT NEEDED IF THE OIL BASE PAINT IS THE DESIRED COLOR.
  - B. TO PAINT WITH ACRYLIC LATEX PAINT, WE RECOMMEND USING A HIGH QUALITY PRIMER LIKE SHERWIN-WILLIAMS® PREPRITE® ANCHOR-BOND AND A TOPCOAT LIKE SHERWIN-WILLIAMS® SUPERPAINT®. REMOVE ALL DUST AND DIRT BEFORE PAINTING BY THOROUGHLY CLEANING WITH A CLEANER LIKE SIMPLE GREEN® OR ISOPROPYL ALCOHOL. ALLOW TO DRY COMPLETELY BEFORE PRIMING.

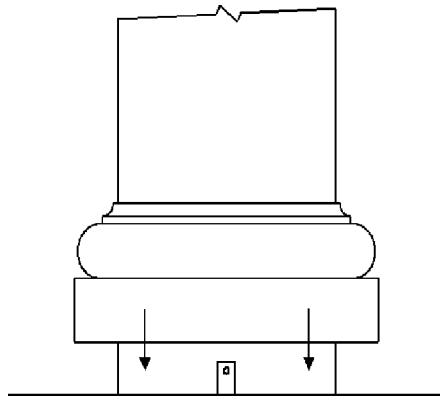


Figure 1

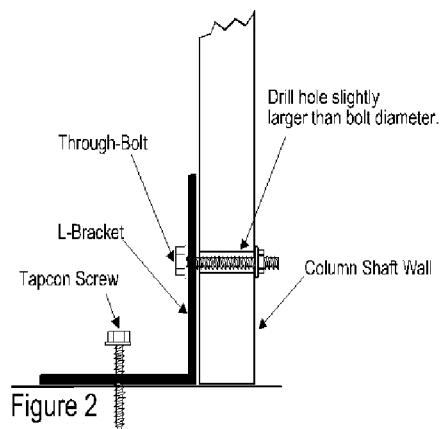


Figure 2

### SPLIT COLUMN INSTALLATION INSTRUCTIONS

1. COLUMNS MAY BE FACTORY SPLIT TO COVER LALLY COLUMNS, POSTS, ETC. OR FIELD SPLIT USING AN ABRASIVE CARBORUNDUM OR CARBIDE BLADE. NOTE: SPLIT COLUMNS ARE NOT LOAD BEARING, EVEN WHEN REASSEMBLED.
2. TO REJOIN HALVES APPLY A GOOD QUALITY CONSTRUCTION ADHESIVE TO ALL JOINT SURFACES. PLACE THE COLUMN HALVES AROUND THE EXISTING SUPPORT COLUMN. CAREFULLY ALIGN THE TWO HALVES TOGETHER. LOOSELY INSTALL RATCHET OR NYLON STRAPS AROUND THE ASSEMBLED COLUMN APPROXIMATELY 2 TO 3 FEET APART. INSERT 1/8" SPACERS OR SHIMS INTO EACH JOINT OF THE COLUMN AND THEN PULL THE STRAPS TIGHT. AFTER ALL STRAPS AND SPACERS HAVE BEEN INSTALLED, POSITION THE COLUMN AND SECURE THE L-BRACKETS TO THE TOP AND BOTTOM SURFACES.
3. WHEN CONSTRUCTION ADHESIVE CURES USE POLYESTER BODY FILLER (BONDO OR DURAGLAS) TO FILL THE JOINT. FOLLOW THE BODY FILLER MANUFACTURER'S MIXING RECOMMENDATIONS. WORK THE BODY FILLER INTO THE JOINTS WITH A PLASTIC BODY FILLER SPREADER OR PUTTY KNIFE.
4. WIPE OR SCRAPE AWAY ANY EXCESS BODY FILLER. AFTER THE BODY FILLER HAS CURED, REMOVE THE STRAPS AND REMOVE THE SPACERS. FILL THE AREAS OF THE JOINTS WHERE THE SPACERS AND STRAPS HAD BEEN WITH BODY FILLER.
5. AFTER ALL OF THE BODY FILLER HAS CURED, SAND THE JOINTS SMOOTH WITH SANDPAPER. IF NECESSARY, FILL ANY LOW SPOTS WITH BODY FILLER. SAND AGAIN UNTIL SMOOTH.
6. APPLY CONSTRUCTION ADHESIVE TO THE TOP OF THE CAP. PUSH THE CAP UP AGAINST THE CEILING SURFACE BEING CAREFUL TO ALIGN THE SQUARE PORTION OF THE CAP TO THE SURFACE. APPLY CONSTRUCTION ADHESIVE TO THE BOTTOM OF THE BASE. PUSH THE BASE DOWN AGAINST THE FLOOR SURFACE BEING CAREFUL TO ALIGN THE SQUARE PORTION OF THE BASE TO THE SURFACE.
7. CAULK THE JOINT BETWEEN THE CAP AND THE COLUMN SHAFT AND THE JOINT BETWEEN THE BASE AND THE SHAFT. FINISH COLUMNS AS INDICATED ABOVE.

COLUMNS

SHEET NO.

PC-06

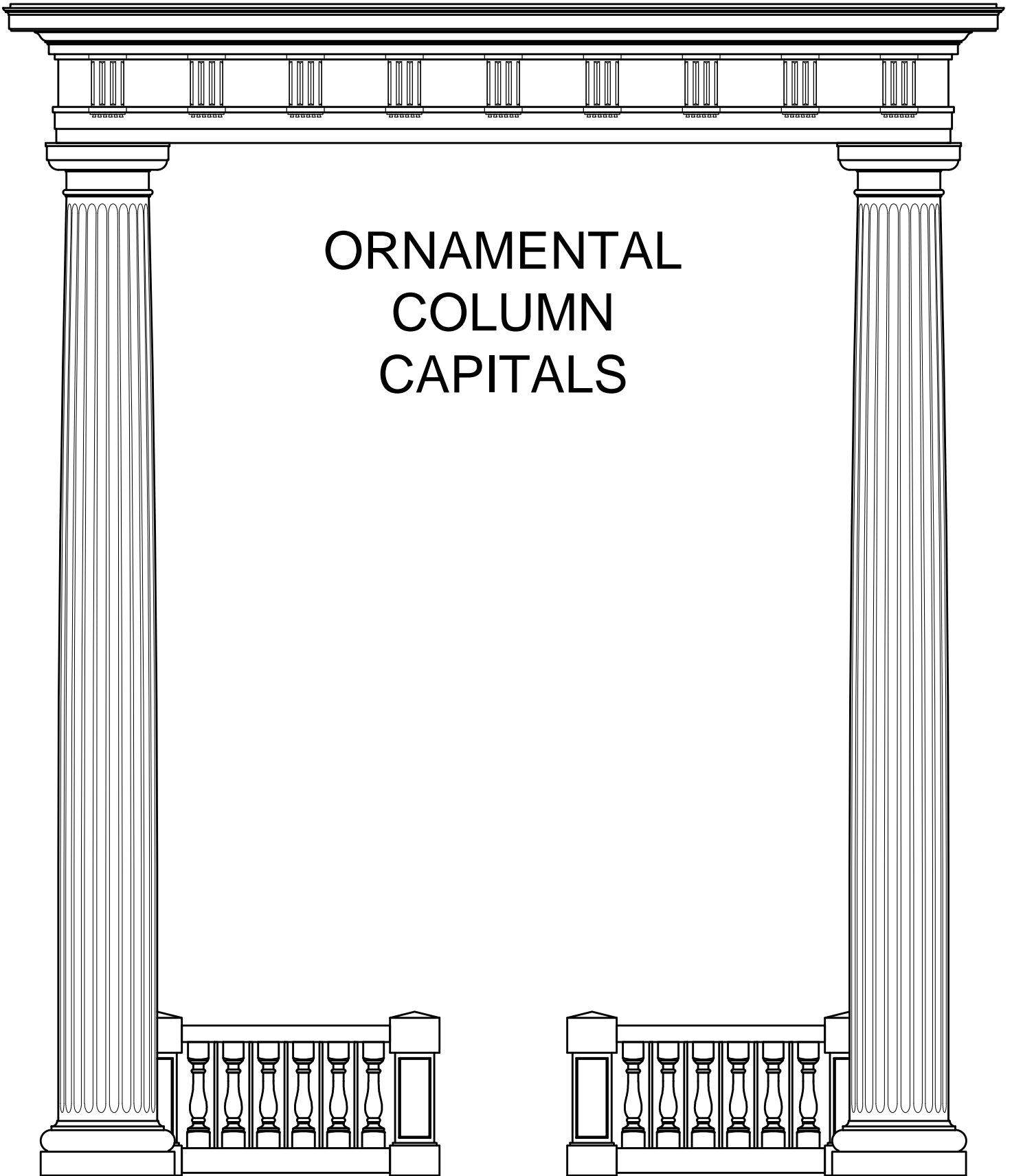
2020

POLYMER  
COMPOSITE  
COLUMNS



ARCHITECTURAL FIBERGLASS, INC.

8300 BESSEMER AVE., CLEVELAND, OHIO 44127-1839  
(216) 641-8300 - FAX:(216) 641-8150  
www.fiberglass-afi.com



ORNAMENTAL  
COLUMN  
CAPITALS



ARCHITECTURAL FIBERGLASS, INC.

8300 Bessemer Ave. \* Cleveland, OH 44127-1839 \* 216-641-8300 \* Fax 216-641-8150 \* [www.fiberglass-afi.com](http://www.fiberglass-afi.com)

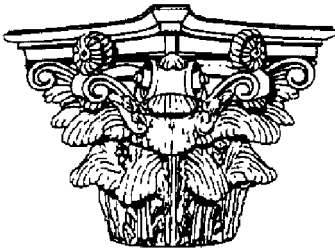
# Ornamental Column Capitals

Ornamental capitals are manufactured from a number of composite materials including fiberglass. Capitals can be manufactured load-bearing to hold substantial weight and are designed with architecturally correct proportions to the size and style of columns. Each capital is a reproduction of ancient Roman and Greek architecture. The fine detail and craftsmanship is seen in each ornamental capital. ARCHITECTURAL FIBERGLASS, INC. can mold off of existing capitals to create historical reproductions of the original architecture. This includes other decorative ornamentation such as cornice and columns.

Ornamental capitals are interchangeable with all three column material types. Most capitals can be manufactured to accommodate square columns. Ask for pricing and availability.

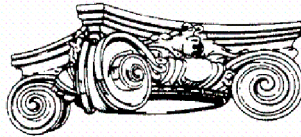
## ROMAN CORINTHIAN

Column base diameters: 6" - 24", 30", 36"



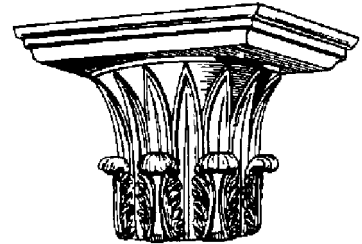
## SCAMOZZI

Column base diameters: 6" - 24", 30", 36"



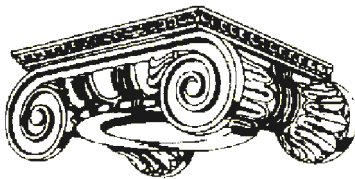
## TEMPLE OF WIND

Column base diameters: 6" - 24", 30", 36"



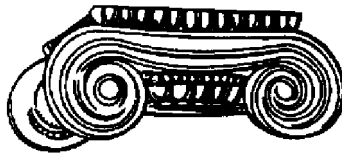
## ROMAN IONIC

Column base diameters: 6" - 24", 30", 36"



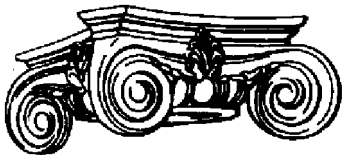
## GREEK ERECHTHEUM

Column base diameters: 6" - 24", 30", 36"



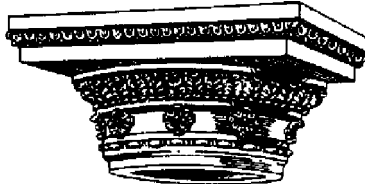
## EMPIRE

Special Order Only  
Column base diameters: 6" - 24"



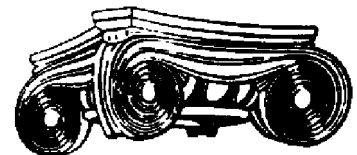
## ROMAN DORIC

Special Order Only  
Column base diameters: 6" - 18"



## GREEK ANGULAR

Special Order Only  
Column base diameters: 6" - 24", 28"



COLUMNS

SHEET NO.

OC-01

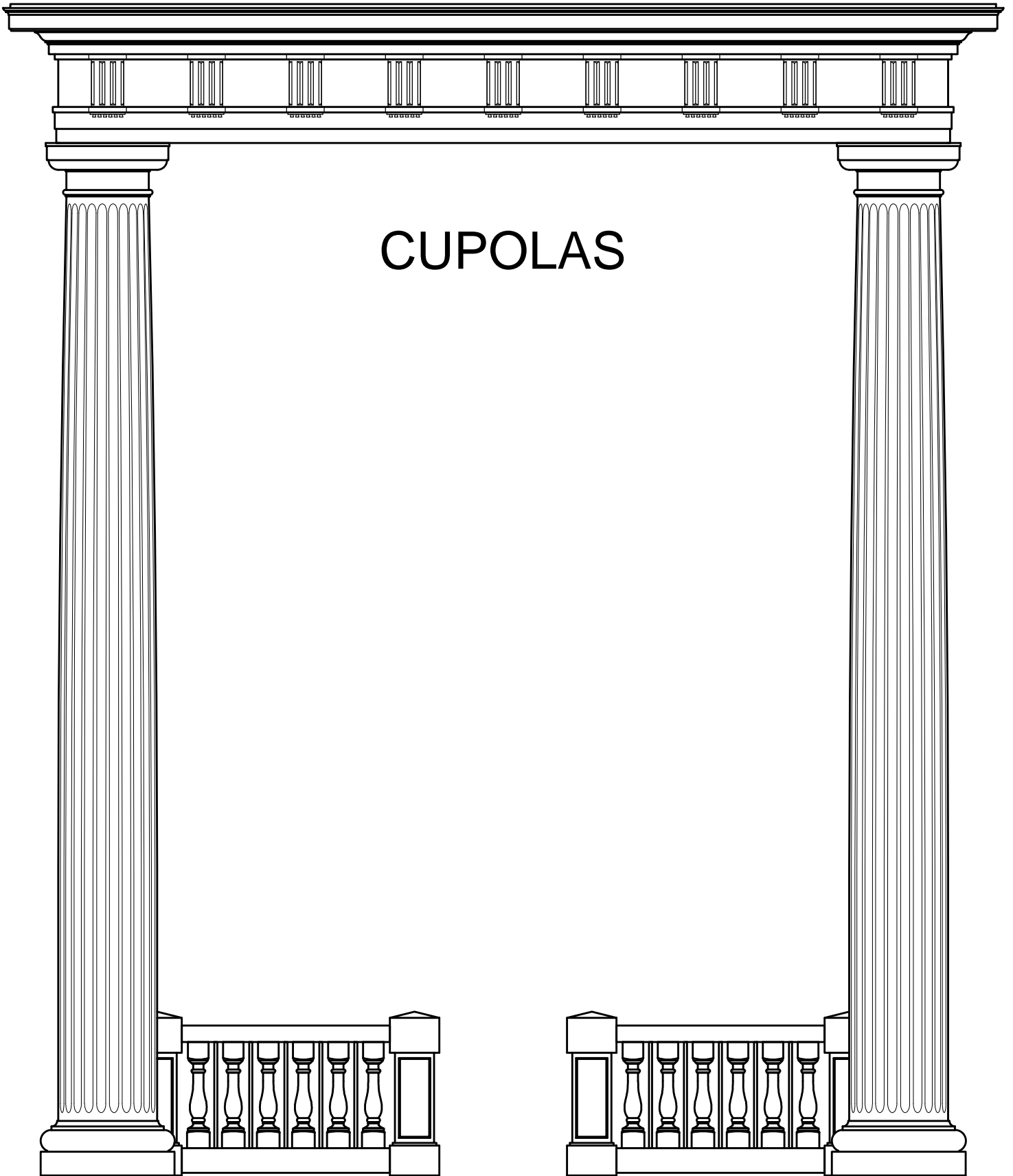
2020

ORNAMENTAL  
COLUMN CAPITALS



*ARCHITECTURAL FIBERGLASS, INC.*

8300 BESSEMER AVE., CLEVELAND, OHIO 44127-1839  
(216) 641-8300 - FAX:(216) 641-8150  
www.fiberglass-afi.com



# CUPOLAS



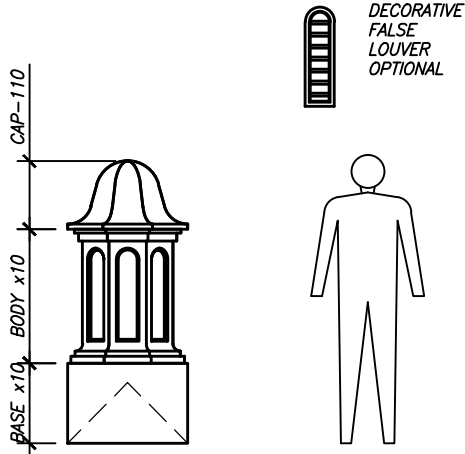
**ARCHITECTURAL FIBERGLASS, INC.**

8300 Bessemer Ave. \* Cleveland, OH 44127-1839 \* 216-641-8300 \* Fax 216-641-8150 \* [www.fiberglass-afi.com](http://www.fiberglass-afi.com)

# Jefferson Cupola Series

## CST-110

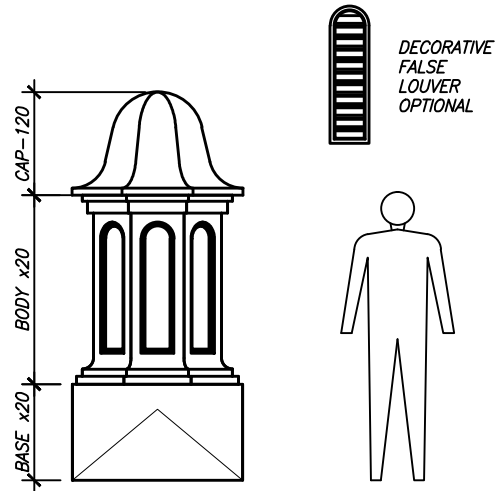
HEIGHT: 5'-10 1/2"  
 WIDTH: 2'-6"  
 FOOTPRINT: 2'-6"



NOTE: SQUARE BASE SHOWN  
 OCTAGONAL BASE OPTIONAL

## CST-120

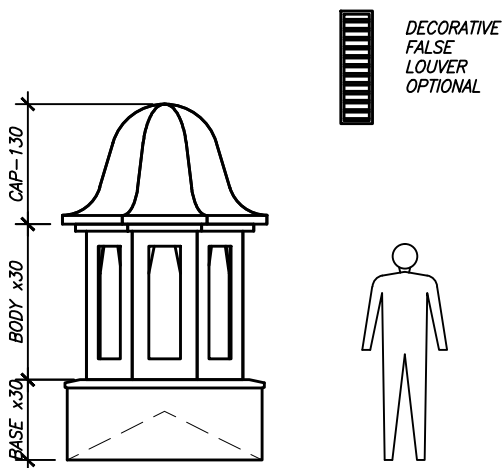
HEIGHT: 8'-1"  
 WIDTH: 3'-6 3/4"  
 FOOTPRINT: 3'-6 1/2"



NOTE: SQUARE BASE SHOWN  
 OCTAGONAL BASE OPTIONAL

## CST-130

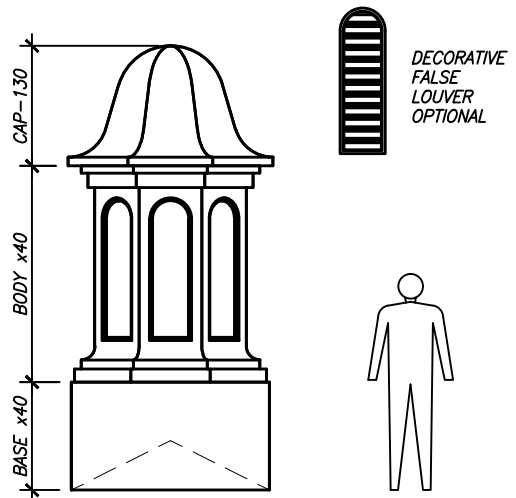
HEIGHT: 9'-10 5/8"  
 WIDTH: 5'-8 1/4"  
 FOOTPRINT: 5'-5"



NOTE: SQUARE BASE SHOWN  
 OCTAGONAL BASE OPTIONAL

## CST-140

HEIGHT: 12'-4"  
 WIDTH: 5'-8 1/4"  
 FOOTPRINT: 5'-6"



NOTE: SQUARE BASE SHOWN  
 OCTAGONAL BASE OPTIONAL

CUPOLAS

SHEET NO.

CP-01

2020



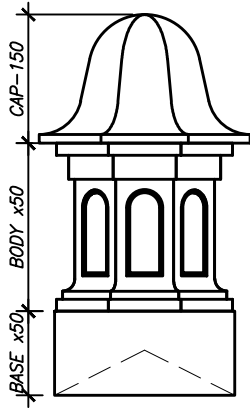
# ARCHITECTURAL FIBERGLASS, INC.

8300 BESSEMER AVE., CLEVELAND, OHIO 44127-1839  
 (216) 641-8300 - FAX:(216) 641-8150  
 www.fiberglass-afi.com

# Jefferson Cupola Series

## CST-150

HEIGHT: 15'-10 1/4"  
 WIDTH: 8'-9 1/2"  
 FOOTPRINT: 7'-6"

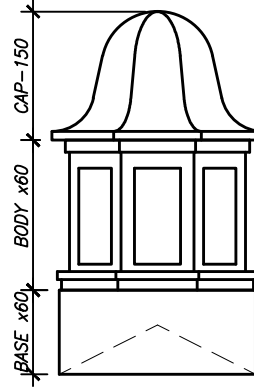


DECORATIVE  
 FALSE  
 LOUVER  
 OPTIONAL

NOTE: SQUARE BASE SHOWN  
 OCTAGONAL BASE OPTIONAL

## CST-160

HEIGHT: 15'-1 1/4"  
 WIDTH: 8'-9 1/2"  
 FOOTPRINT: 8'-2"



DECORATIVE  
 FALSE  
 LOUVER  
 OPTIONAL

NOTE: SQUARE BASE SHOWN  
 OCTAGONAL BASE OPTIONAL

INTENTIONALLY LEFT BLANK

INTENTIONALLY LEFT BLANK

CUPOLAS

SHEET NO.

CP-02

2020



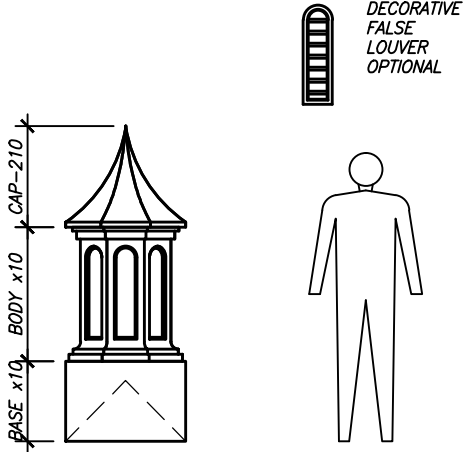
**ARCHITECTURAL FIBERGLASS, INC.**

8300 BESSEMER AVE., CLEVELAND, OHIO 44127-1839  
 (216) 641-8300 - FAX:(216) 641-8150  
 www.fiberglass-afi.com

# Hamilton Cupola Series

## CST-210

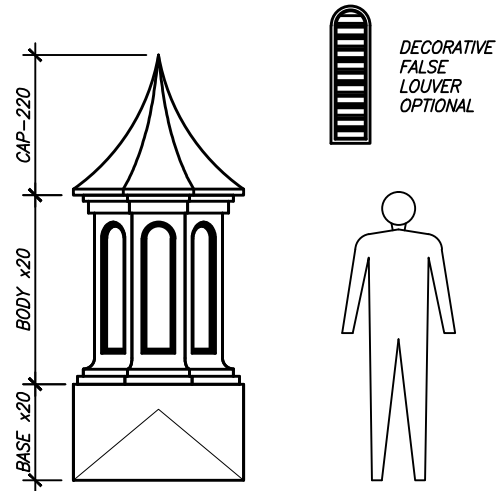
HEIGHT: 6'-6 3/4"  
 WIDTH: 2'-6"  
 FOOTPRINT: 2'-6"



NOTE: SQUARE BASE SHOWN  
 OCTAGONAL BASE OPTIONAL

## CST-220

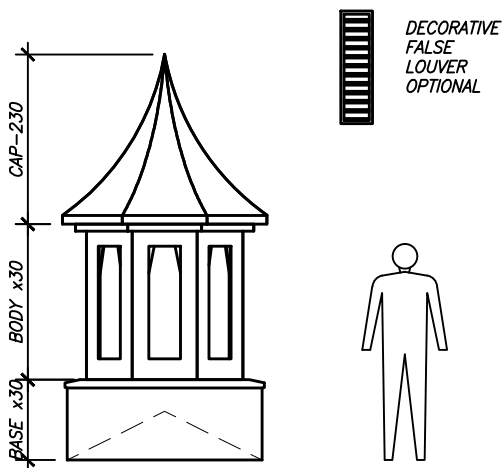
HEIGHT: 8'-10 1/4"  
 WIDTH: 3'-6 1/2"  
 FOOTPRINT: 3'-6 1/2"



NOTE: SQUARE BASE SHOWN  
 OCTAGONAL BASE OPTIONAL

## CST-230

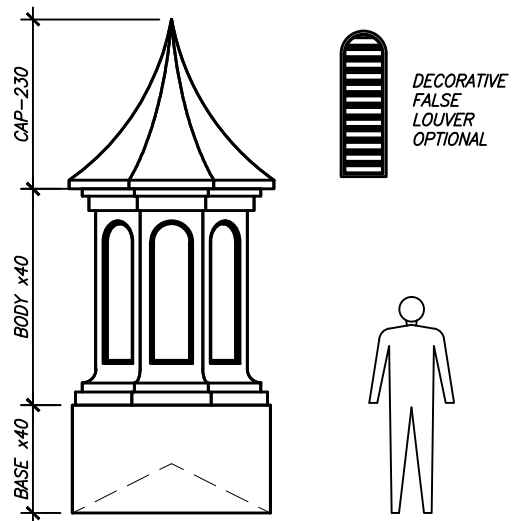
HEIGHT: 11'-3 1/8"  
 WIDTH: 5'-8 1/4"  
 FOOTPRINT: 5'-5"



NOTE: SQUARE BASE SHOWN  
 OCTAGONAL BASE OPTIONAL

## CST-240

HEIGHT: 13'-8 1/2"  
 WIDTH: 5'-8 1/4"  
 FOOTPRINT: 5'-6"



NOTE: SQUARE BASE SHOWN  
 OCTAGONAL BASE OPTIONAL

CUPOLAS

SHEET NO.

CP-03

2020



# ARCHITECTURAL FIBERGLASS, INC.

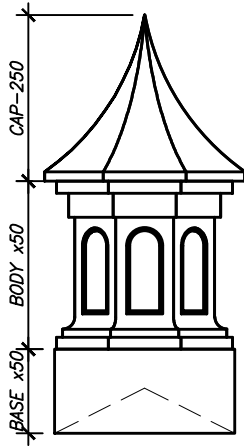
8300 BESSEMER AVE., CLEVELAND, OHIO 44127-1839  
 (216) 641-8300 - FAX:(216) 641-8150  
 www.fiberglass-afi.com



# Hamilton Cupola Series

## CST-250

HEIGHT: 17'-5"  
 WIDTH: 8'-4"  
 FOOTPRINT: 7'-6"

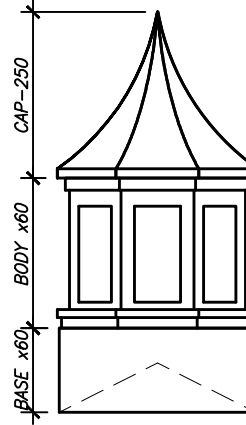


DECORATIVE  
 FALSE  
 LOUVER  
 OPTIONAL

NOTE: SQUARE BASE SHOWN  
 OCTAGONAL BASE OPTIONAL

## CST-260

HEIGHT: 16'-8"  
 WIDTH: 8'-4"  
 FOOTPRINT: 8'-2"



DECORATIVE  
 FALSE  
 LOUVER  
 OPTIONAL

NOTE: SQUARE BASE SHOWN  
 OCTAGONAL BASE OPTIONAL

INTENTIONALLY LEFT BLANK

INTENTIONALLY LEFT BLANK

CUPOLAS

SHEET NO.

**CP-04**

2020



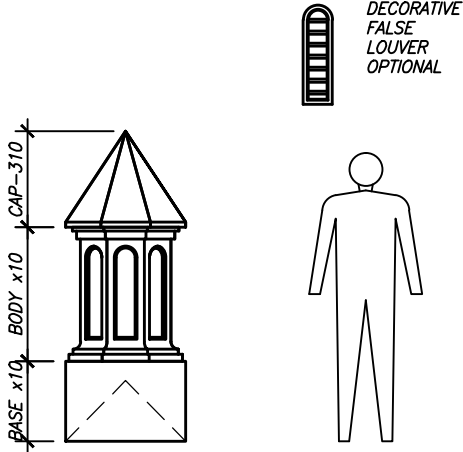
**ARCHITECTURAL FIBERGLASS, INC.**

8300 BESSEMER AVE., CLEVELAND, OHIO 44127-1839  
 (216) 641-8300 - FAX:(216) 641-8150  
 www.fiberglass-afi.com

# Franklin Cupola Series

## CST-310

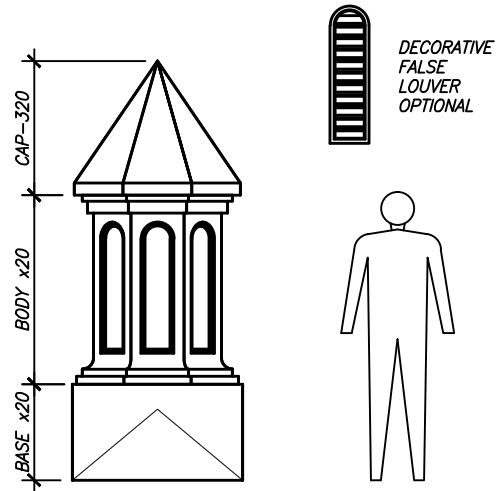
HEIGHT: 6'-5 1/2"  
 WIDTH: 2'-6"  
 FOOTPRINT: 2'-6"



NOTE: SQUARE BASE SHOWN  
 OCTAGONAL BASE OPTIONAL

## CST-320

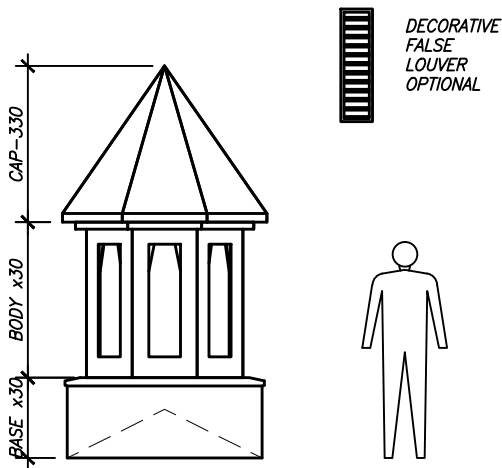
HEIGHT: 8'-8 3/4"  
 WIDTH: 3'-5 1/2"  
 FOOTPRINT: 3'-6 1/2"



NOTE: SQUARE BASE SHOWN  
 OCTAGONAL BASE OPTIONAL

## CST-330

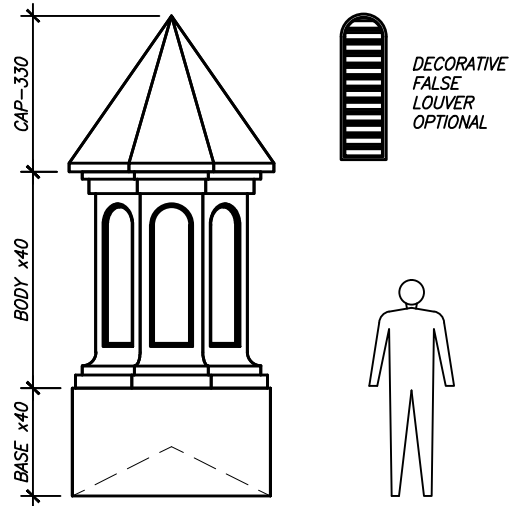
HEIGHT: 10'-10 5/8"  
 WIDTH: 5'-8 1/4"  
 FOOTPRINT: 5'-5"



NOTE: SQUARE BASE SHOWN  
 OCTAGONAL BASE OPTIONAL

## CST-340

HEIGHT: 13'-4"  
 WIDTH: 5'-8 1/4"  
 FOOTPRINT: 5'-6"



NOTE: SQUARE BASE SHOWN  
 OCTAGONAL BASE OPTIONAL

CUPOLAS

SHEET NO.

CP-05

2020



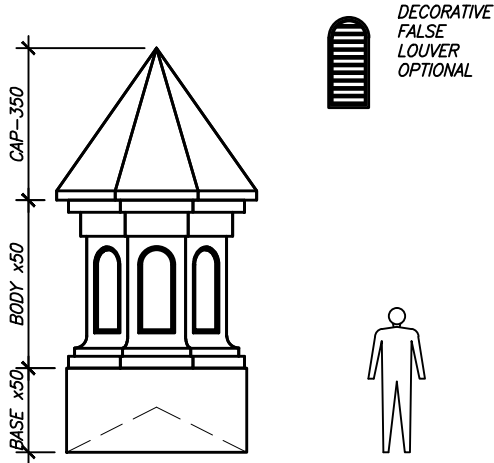
# ARCHITECTURAL FIBERGLASS, INC.

8300 BESSEMER AVE., CLEVELAND, OHIO 44127-1839  
 (216) 641-8300 - FAX:(216) 641-8150  
 www.fiberglass-afi.com

# Franklin Cupola Series

CST-350

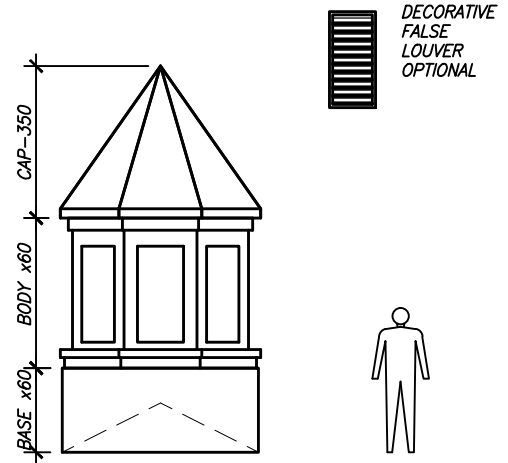
HEIGHT: 16'-10"  
 WIDTH: 8'-4"  
 FOOTPRINT: 7'-6"



NOTE: SQUARE BASE SHOWN  
 OCTAGONAL BASE OPTIONAL

CST-360

HEIGHT: 16'-1"  
 WIDTH: 8'-4"  
 FOOTPRINT: 8'-2"



NOTE: SQUARE BASE SHOWN  
 OCTAGONAL BASE OPTIONAL

INTENTIONALLY LEFT BLANK

INTENTIONALLY LEFT BLANK

CUPOLAS

SHEET NO.

**CP-06**

2020



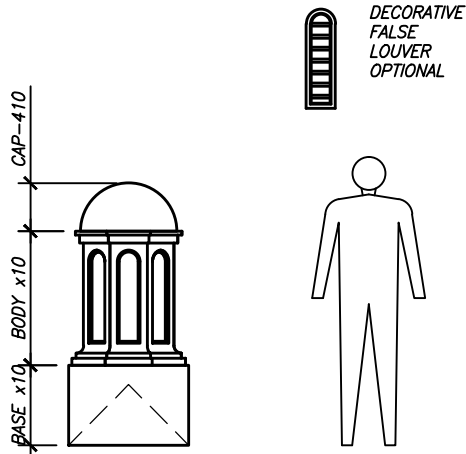
**ARCHITECTURAL FIBERGLASS, INC.**

8300 BESSEMER AVE., CLEVELAND, OHIO 44127-1839  
 (216) 641-8300 - FAX:(216) 641-8150  
 www.fiberglass-afi.com

# Madison Cupola Series

## CST-410

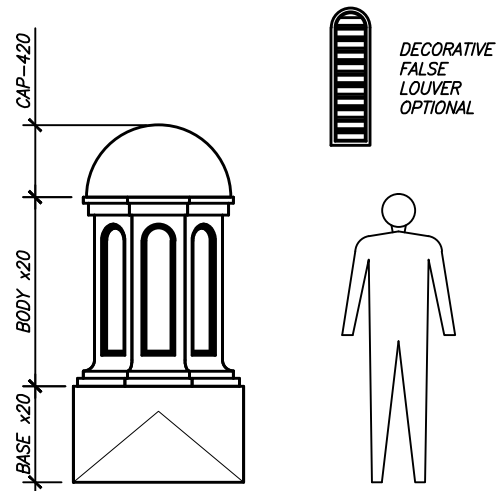
HEIGHT: 5'-5 1/2"  
 WIDTH: 2'-6"  
 FOOTPRINT: 2'-6"



NOTE: SQUARE BASE SHOWN  
 OCTAGONAL BASE OPTIONAL

## CST-420

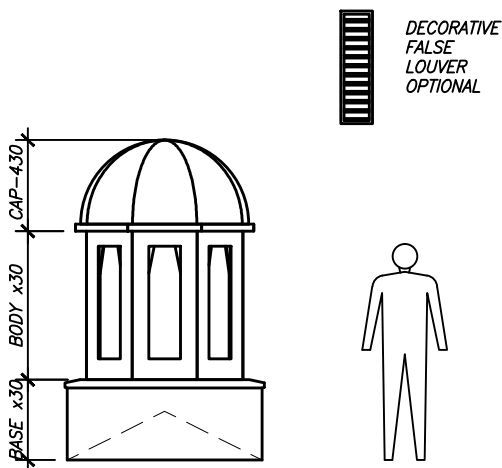
HEIGHT: 7'-5 1/4"  
 WIDTH: 3'-6 1/2"  
 FOOTPRINT: 3'-6 1/2"



NOTE: SQUARE BASE SHOWN  
 OCTAGONAL BASE OPTIONAL

## CST-430

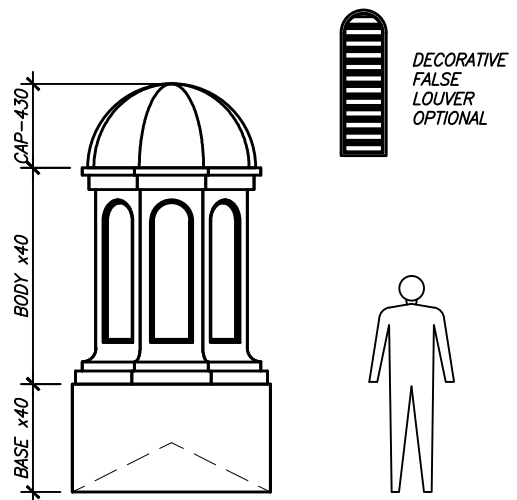
HEIGHT: 8'-10 5/8"  
 WIDTH: 5'-6 1/2"  
 FOOTPRINT: 5'-5"



NOTE: SQUARE BASE SHOWN  
 OCTAGONAL BASE OPTIONAL

## CST-440

HEIGHT: 11'-4"  
 WIDTH: 5'-6"  
 FOOTPRINT: 5'-6"



NOTE: SQUARE BASE SHOWN  
 OCTAGONAL BASE OPTIONAL

CUPOLAS

SHEET NO.

CP-07

2020



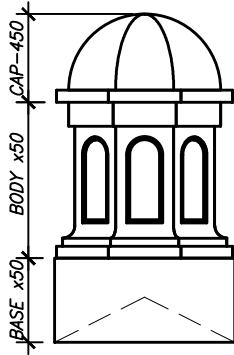
# ARCHITECTURAL FIBERGLASS, INC.

8300 BESSEMER AVE., CLEVELAND, OHIO 44127-1839  
 (216) 641-8300 - FAX:(216) 641-8150  
 www.fiberglass-afi.com

# Madison Cupola Series

CST-450

HEIGHT: 13'-8"  
 WIDTH: 7'-6"  
 FOOTPRINT: 7'-6"



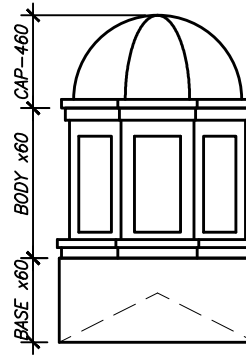
NOTE: SQUARE BASE SHOWN  
 OCTAGONAL BASE OPTIONAL



DECORATIVE  
 FALSE  
 LOUVER  
 OPTIONAL

CST-460

HEIGHT: 13'-7 3/8"  
 WIDTH: 8'-4"  
 FOOTPRINT: 8'-2"



NOTE: SQUARE BASE SHOWN  
 OCTAGONAL BASE OPTIONAL



DECORATIVE  
 FALSE  
 LOUVER  
 OPTIONAL

INTENTIONALLY LEFT BLANK

INTENTIONALLY LEFT BLANK

CUPOLAS

SHEET NO.

**CP-08**

2020

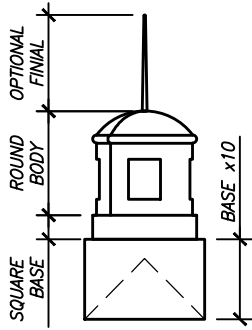


**ARCHITECTURAL FIBERGLASS, INC.**

8300 BESSEMER AVE., CLEVELAND, OHIO 44127-1839  
 (216) 641-8300 - FAX:(216) 641-8150  
 www.fiberglass-afi.com

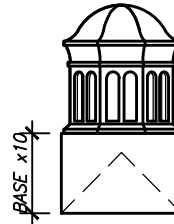
CST-500

HEIGHT: 4'-4"  
WIDTH: 2'-6"  
FOOTPRINT: 2'-6"



CST-501

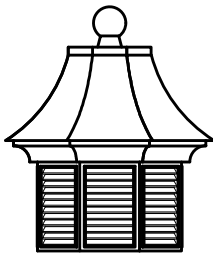
HEIGHT: 4'-4"  
WIDTH: 2'-6"  
FOOTPRINT: 2'-6"



CST-502

HEIGHT: 4'-3"  
WIDTH: 4'-4"  
FOOTPRINT: 3'-0"

SHOWN WITH  
OPTIONAL  
FINIAL



CST-503

HEIGHT: 6'-7 1/2"  
WIDTH: 3'-9"  
FOOTPRINT: 2'-7 1/2"



CUPOLAS

SHEET NO.

CP-09

2020

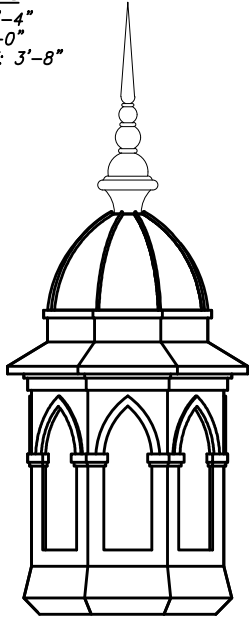


**ARCHITECTURAL FIBERGLASS, INC.**

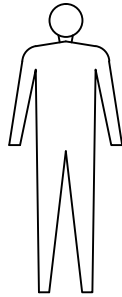
8300 BESSEMER AVE., CLEVELAND, OHIO 44127-1839  
(216) 641-8300 - FAX:(216) 641-8150  
www.fiberglass-afi.com

CST-505

HEIGHT: 8'-4"  
WIDTH: 5'-0"  
FOOTPRINT: 3'-8"

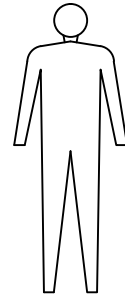
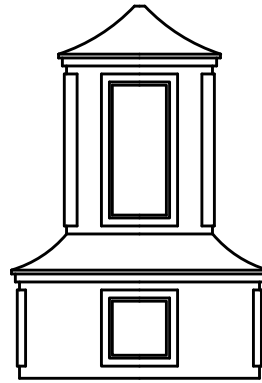


SHOWN WITH  
OPTIONAL  
FINIAL FST-410



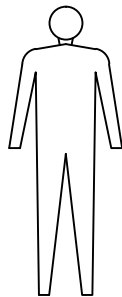
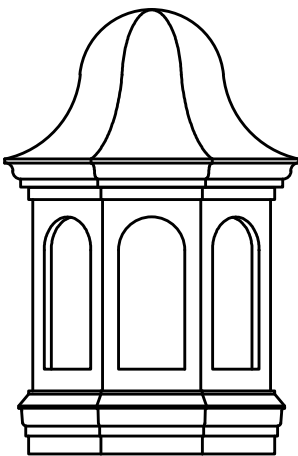
CST-510

HEIGHT: 7'-9"  
WIDTH: 5'-4"  
FOOTPRINT: 5'-0"



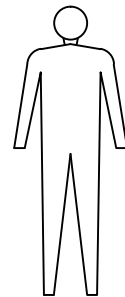
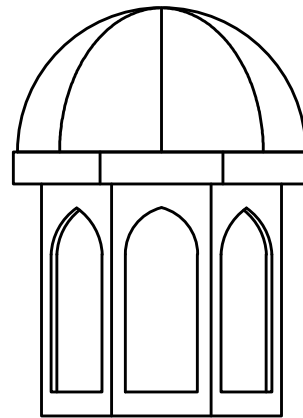
CST-515

HEIGHT: 9'-3"  
WIDTH: 6'-1 1/2"  
FOOTPRINT: 5'-1 1/2"



CST-516

HEIGHT: 8'-6"  
WIDTH: 6'-2"  
FOOTPRINT: 5'-0"



CUPOLAS

SHEET NO.

CP-10

2020

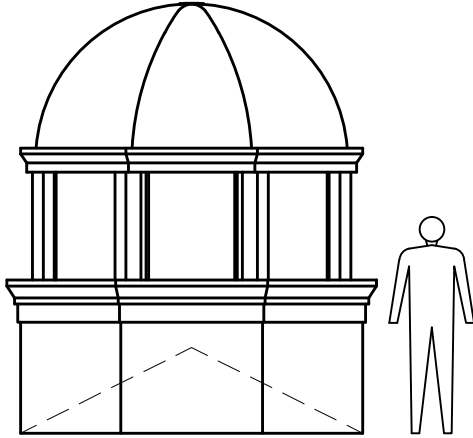


**ARCHITECTURAL FIBERGLASS, INC.**

8300 BESSEMER AVE., CLEVELAND, OHIO 44127-1839  
(216) 641-8300 - FAX:(216) 641-8150  
www.fiberglass-afi.com

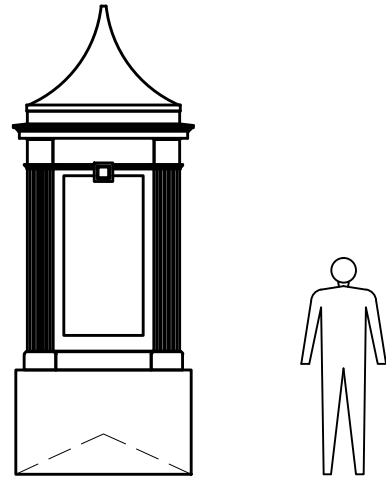
CST-520

HEIGHT: 11'-11"  
WIDTH: 10'-3 1/4"  
FOOTPRINT: 9'-6"



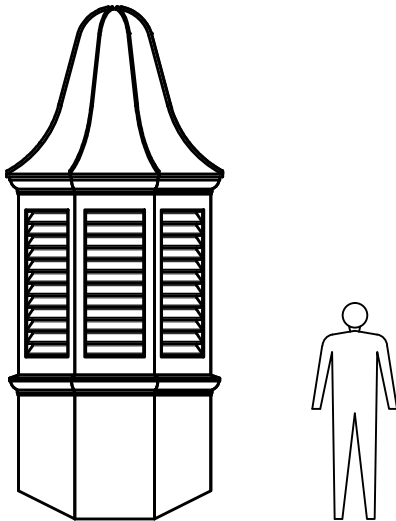
CST-525

HEIGHT: 13'-0"  
WIDTH: 5'-0"  
FOOTPRINT: 4'-10 3/8"



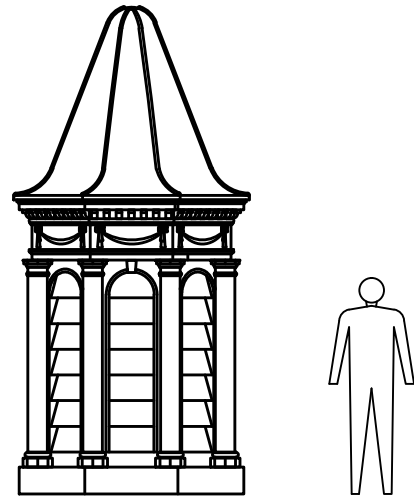
CST-526

HEIGHT: 14'-2"  
WIDTH: 6'-0"  
FOOTPRINT: 5'-4"



CST-530

HEIGHT: 13'-6 1/8"  
WIDTH: 6'-6 1/2"  
FOOTPRINT: 6'-2 7/8"



CUPOLAS

SHEET NO.

CP-11

2020



**ARCHITECTURAL FIBERGLASS, INC.**

8300 BESSEMER AVE., CLEVELAND, OHIO 44127-1839  
(216) 641-8300 - FAX:(216) 641-8150  
www.fiberglass-afi.com

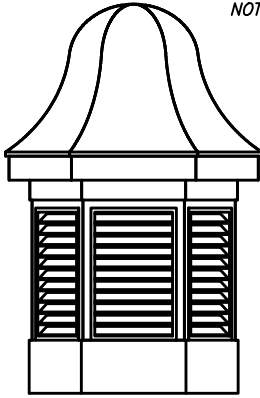


CST-535

HEIGHT: 16'-2 1/2"

WIDTH: 9'-3"

FOOTPRINT: 7'-6 3/8"



NOTE: CUPOLA IS 6-SIDED

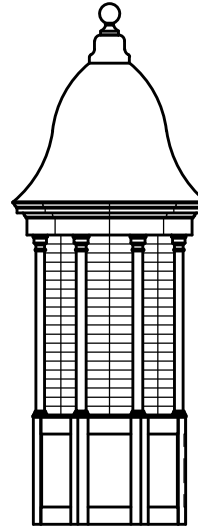


CST-540

HEIGHT: 21'-8 1/8"

WIDTH: 8'-0 1/2"

FOOTPRINT: 6'-4"

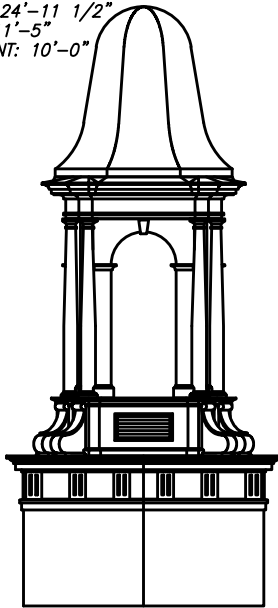


CST-545

HEIGHT: 24'-11 1/2"

WIDTH: 11'-5"

FOOTPRINT: 10'-0"

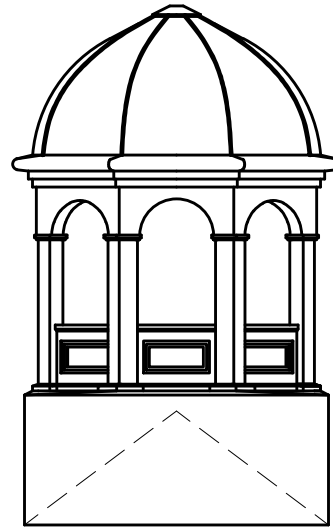


CST-550

HEIGHT: 21'-7 1/2"

WIDTH: 13'-8"

FOOTPRINT: 12'-8"



CUPOLAS

SHEET NO.

CP-12

2020

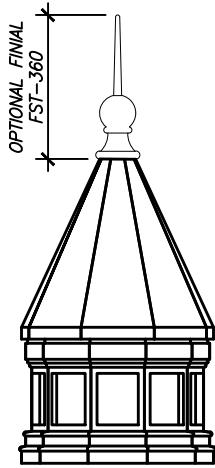


**ARCHITECTURAL FIBERGLASS, INC.**

8300 BESSEMER AVE., CLEVELAND, OHIO 44127-1839  
(216) 641-8300 - FAX:(216) 641-8150  
www.fiberglass-afi.com

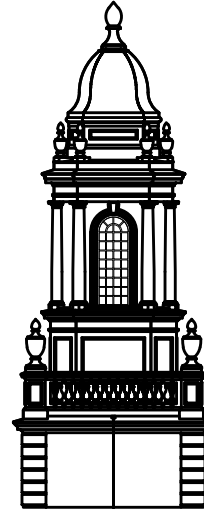
CST-555

HEIGHT: 12'-8"  
WIDTH: 8'-2"  
FOOTPRINT: 8'-0"



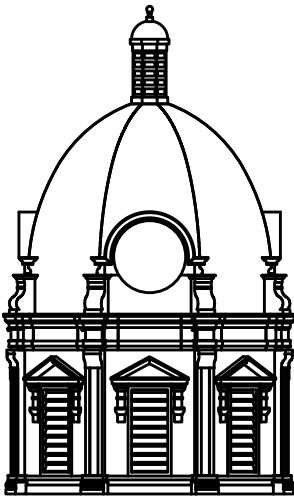
CST-560

HEIGHT: 42'-1"  
WIDTH: 16'-8"  
FOOTPRINT: 15'-0"



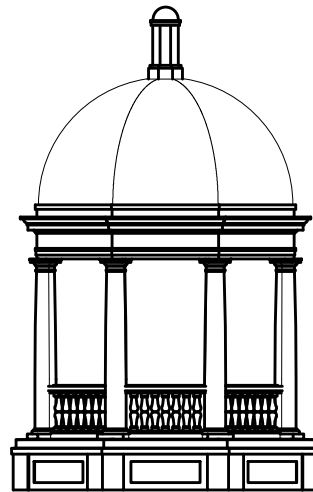
CST-565

HEIGHT: 27'-0"  
WIDTH: 16'-2 1/2"  
FOOTPRINT: 15'-4"



CST-570

HEIGHT: 26'-9"  
WIDTH: 17'-1"  
FOOTPRINT: 16'-11"



CUPOLAS

SHEET NO.

CP-13

2020

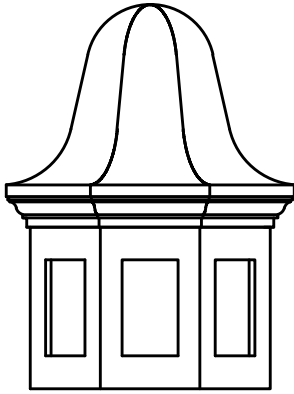


**ARCHITECTURAL FIBERGLASS, INC.**

8300 BESSEMER AVE., CLEVELAND, OHIO 44127-1839  
(216) 641-8300 - FAX:(216) 641-8150  
www.fiberglass-afi.com

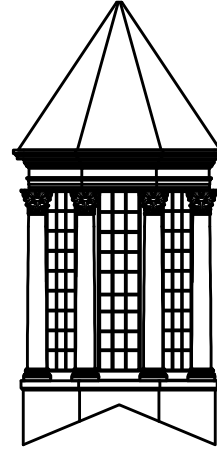
CST-575

HEIGHT: 16'-0"  
WIDTH: 12'-0"  
FOOTPRINT: 10'-0"



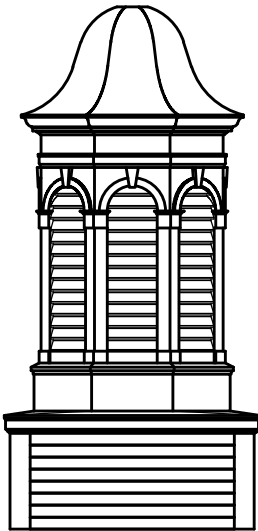
CST-580

HEIGHT: 36'-10 5/8"  
WIDTH: 17'-7 1/2"  
FOOTPRINT: 16'-0"



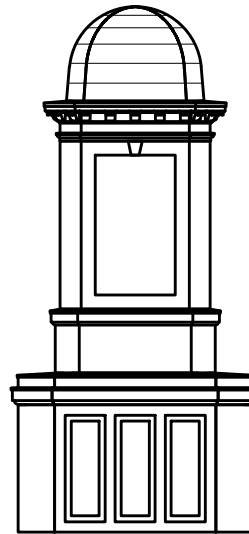
CST-585

HEIGHT: 21'-9"  
WIDTH: 10'-8"  
FOOTPRINT: 10'-2"



CST-590

HEIGHT: 21'-10 1/2"  
WIDTH: 10'-4"  
FOOTPRINT: 9'-9"



CUPOLAS

SHEET NO.

CP-14

2020



**ARCHITECTURAL FIBERGLASS, INC.**

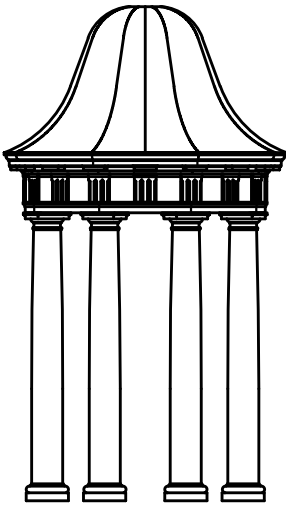
8300 BESSEMER AVE., CLEVELAND, OHIO 44127-1839  
(216) 641-8300 - FAX:(216) 641-8150  
[www.fiberglass-afi.com](http://www.fiberglass-afi.com)

*CST-595*

*HEIGHT: 20'-7"*

*WIDTH: 11'-9"*

*FOOTPRINT: 10'-0"*

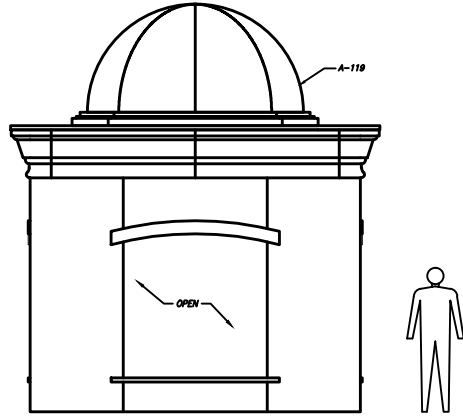


*CST-600*

*HEIGHT: 16'-11 3/4"*

*WIDTH: 15'-4"*

*FOOTPRINT: 13'-9"*



*INTENTIONALLY LEFT BLANK*

*INTENTIONALLY LEFT BLANK*

CUPOLAS

SHEET NO.

**CP-15**

2020

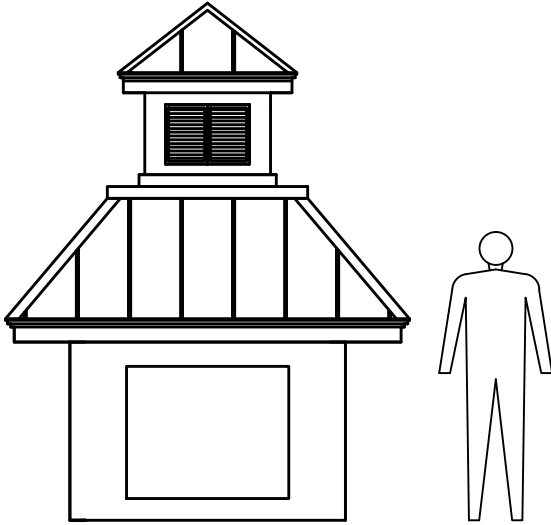


**ARCHITECTURAL FIBERGLASS, INC.**

8300 BESSEMER AVE., CLEVELAND, OHIO 44127-1839  
(216) 641-8300 - FAX:(216) 641-8150  
www.fiberglass-afi.com

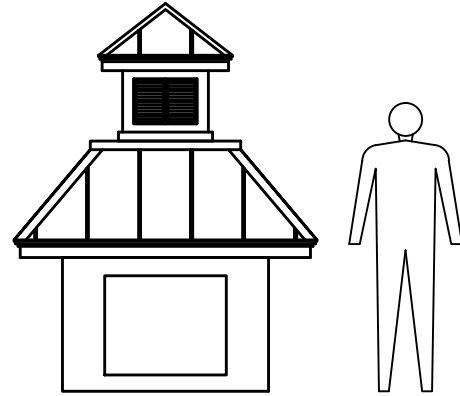
CST-610

HEIGHT: 10'-9 1/4"  
WIDTH: 8'-4 7/8"  
FOOTPRINT: 5'-8 7/8"



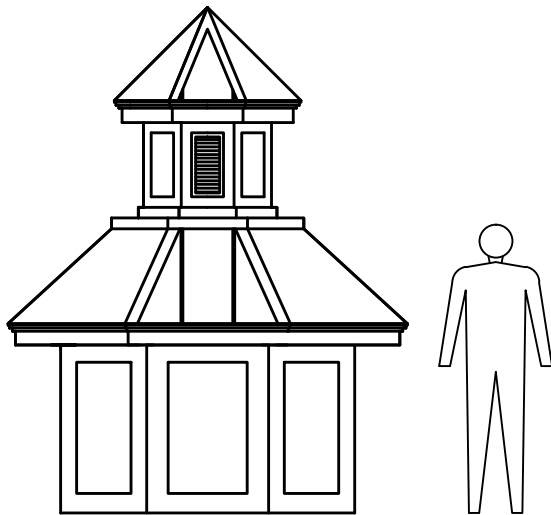
CST-620

HEIGHT: 8'-1"  
WIDTH: 6'-3 11/16"  
FOOTPRINT: 4'-3 1/2"



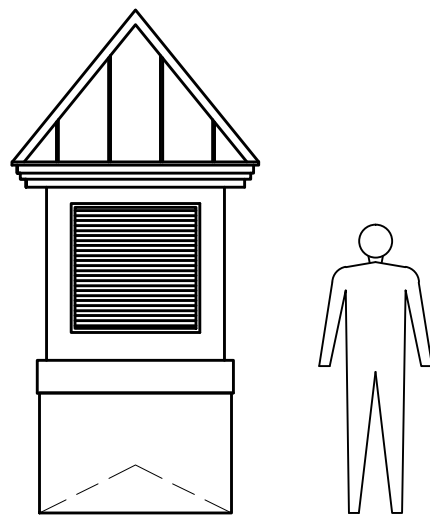
CST-630

HEIGHT: 10'-6 3/8"  
WIDTH: 8'-3 13/16"  
FOOTPRINT: 6'-1 1/2"



CST-640

HEIGHT: 10'-5 3/4"  
WIDTH: 5'-1 5/8"  
FOOTPRINT: 4'-0"



CUPOLAS

SHEET NO.

CP-16

2020

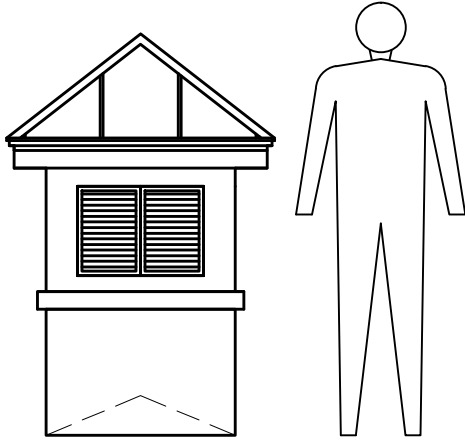


**ARCHITECTURAL FIBERGLASS, INC.**

8300 BESSEMER AVE., CLEVELAND, OHIO 44127-1839  
(216) 641-8300 - FAX:(216) 641-8150  
www.fiberglass-afi.com

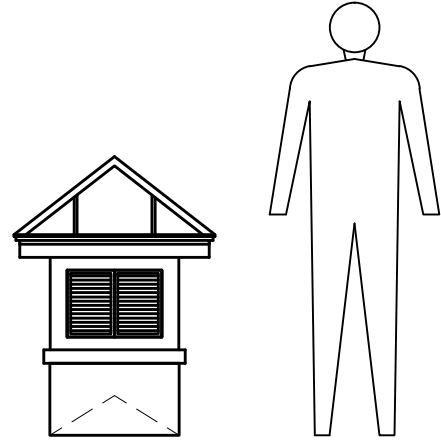
CST-650

HEIGHT: 5'-6 7/8"  
WIDTH: 3'-8 11/16"  
FOOTPRINT: 2'-7 1/2"



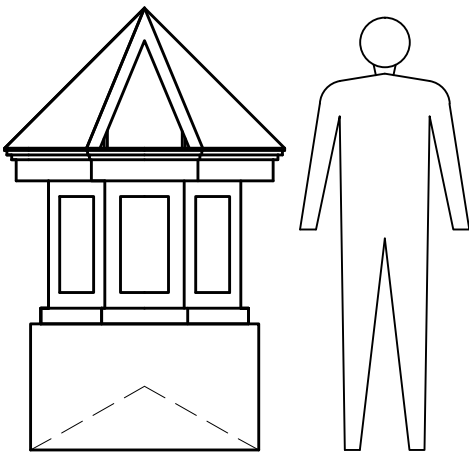
CST-660

HEIGHT: 3'-10 3/8"  
WIDTH: 2'-9 1/2"  
FOOTPRINT: 1'-9 1/2"



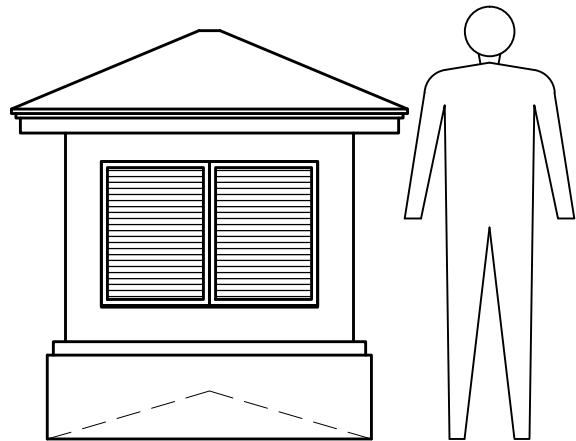
CST-670

HEIGHT: 6'-1 5/8"  
WIDTH: 3'-10 11/16"  
FOOTPRINT: 3'-2"



CST-680

HEIGHT: 5'-8"  
WIDTH: 5'-6"  
FOOTPRINT: 4'-6"



CUPOLAS

SHEET NO.

CP-17

2020

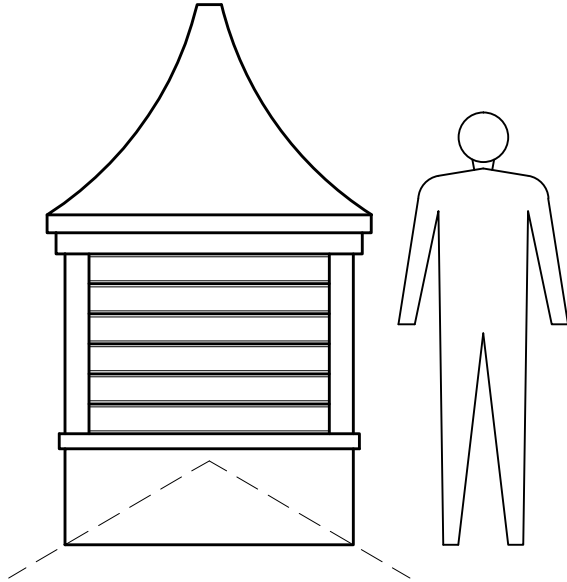


**ARCHITECTURAL FIBERGLASS, INC.**

8300 BESSEMER AVE., CLEVELAND, OHIO 44127-1839  
(216) 641-8300 - FAX:(216) 641-8150  
www.fiberglass-afi.com

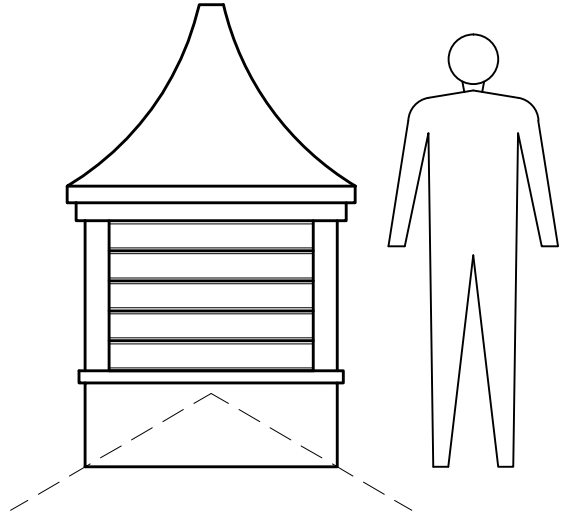
*CST-695*

HEIGHT: 7'-6"  
WIDTH: 4'-6"  
FOOTPRINT: 4'-0"



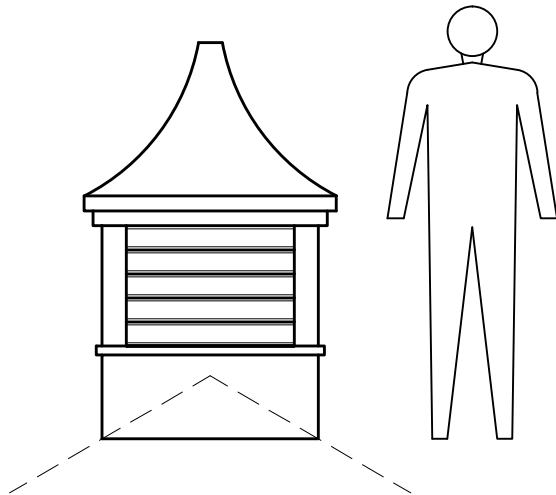
*CST-694*

HEIGHT: 6'-5"  
WIDTH: 4'-0"  
FOOTPRINT: 3'-6"



*CST-693*

HEIGHT: 5'-6"  
WIDTH: 3'-6"  
FOOTPRINT: 3'-0"



*INTENTIONALLY LEFT BLANK*

CUPOLAS

SHEET NO.

**CP-18**

2020

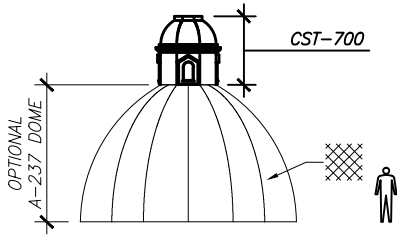
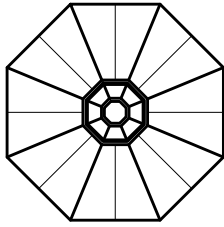


**ARCHITECTURAL FIBERGLASS, INC.**

8300 BESSEMER AVE., CLEVELAND, OHIO 44127-1839  
(216) 641-8300 - FAX:(216) 641-8150  
[www.fiberglass-afi.com](http://www.fiberglass-afi.com)

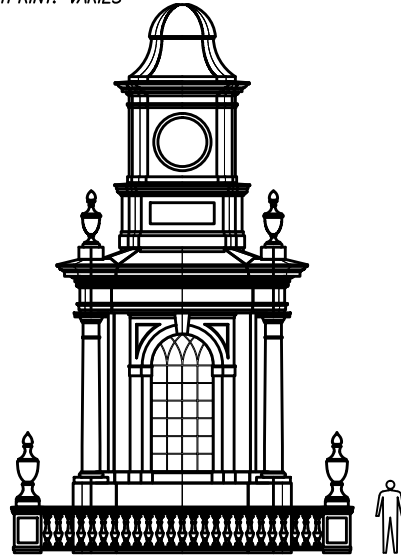
CST-700

HEIGHT: 7'-7 1/2"  
WIDTH: 7'-2"  
FOOTPRINT: 6'-2"



CST-705

HEIGHT: 45'-8"  
WIDTH: VARIES  
FOOTPRINT: VARIES



INTENTIONALLY LEFT BLANK

INTENTIONALLY LEFT BLANK

CUPOLAS

SHEET NO.

CP-19

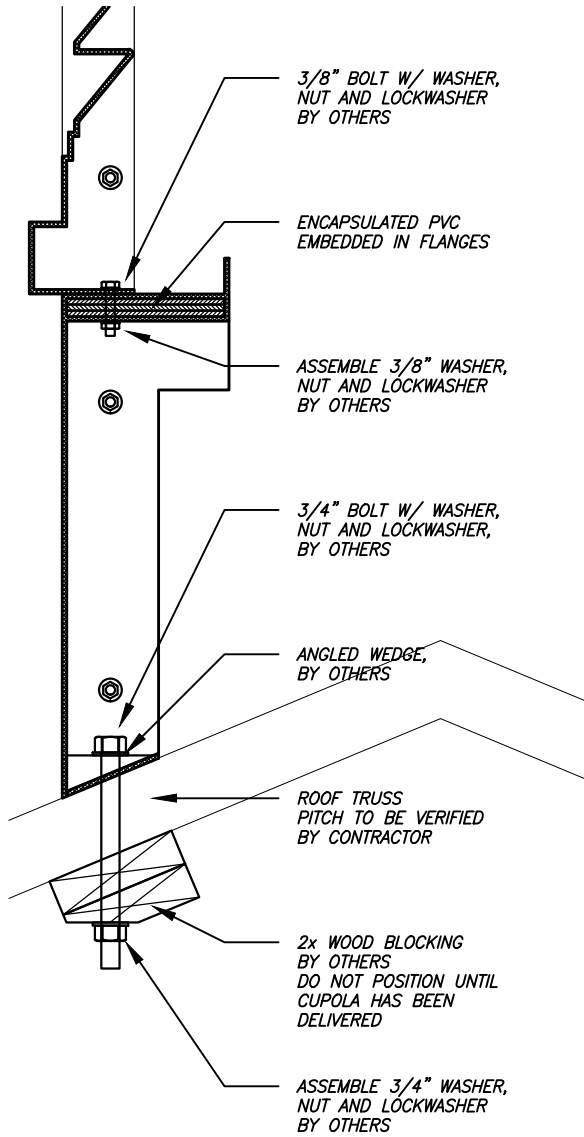
2020



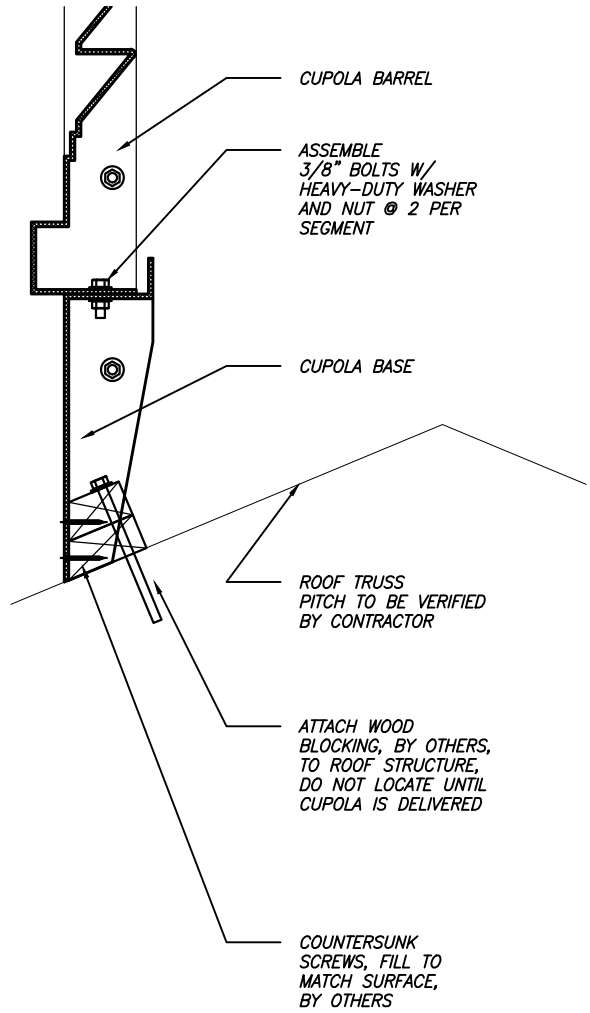
**ARCHITECTURAL FIBERGLASS, INC.**

8300 BESSEMER AVE., CLEVELAND, OHIO 44127-1839  
(216) 641-8300 - FAX:(216) 641-8150  
www.fiberglass-afi.com





**1** ATTACHMENT TYPE 1  
 SD-1 SCALE: 1-1/2" = 1'-0"



**2** ATTACHMENT TYPE 2  
 SD-1 SCALE: 1-1/2" = 1'-0"

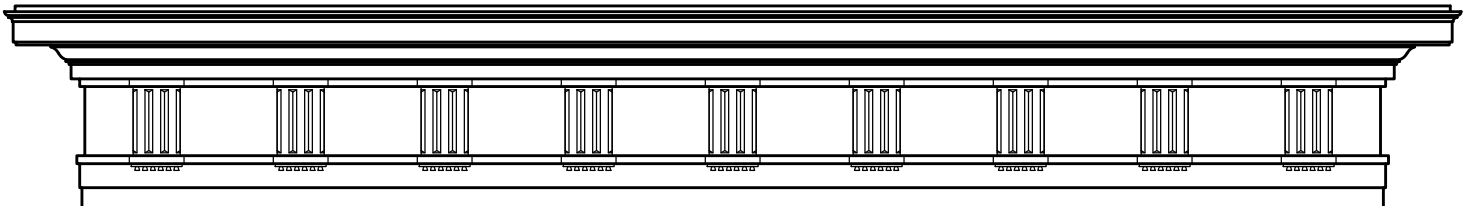
CUPOLAS  
 SHEET NO.  
**SD-01**  
 2020

ATTACHMENT  
 DETAILS



**ARCHITECTURAL FIBERGLASS, INC.**

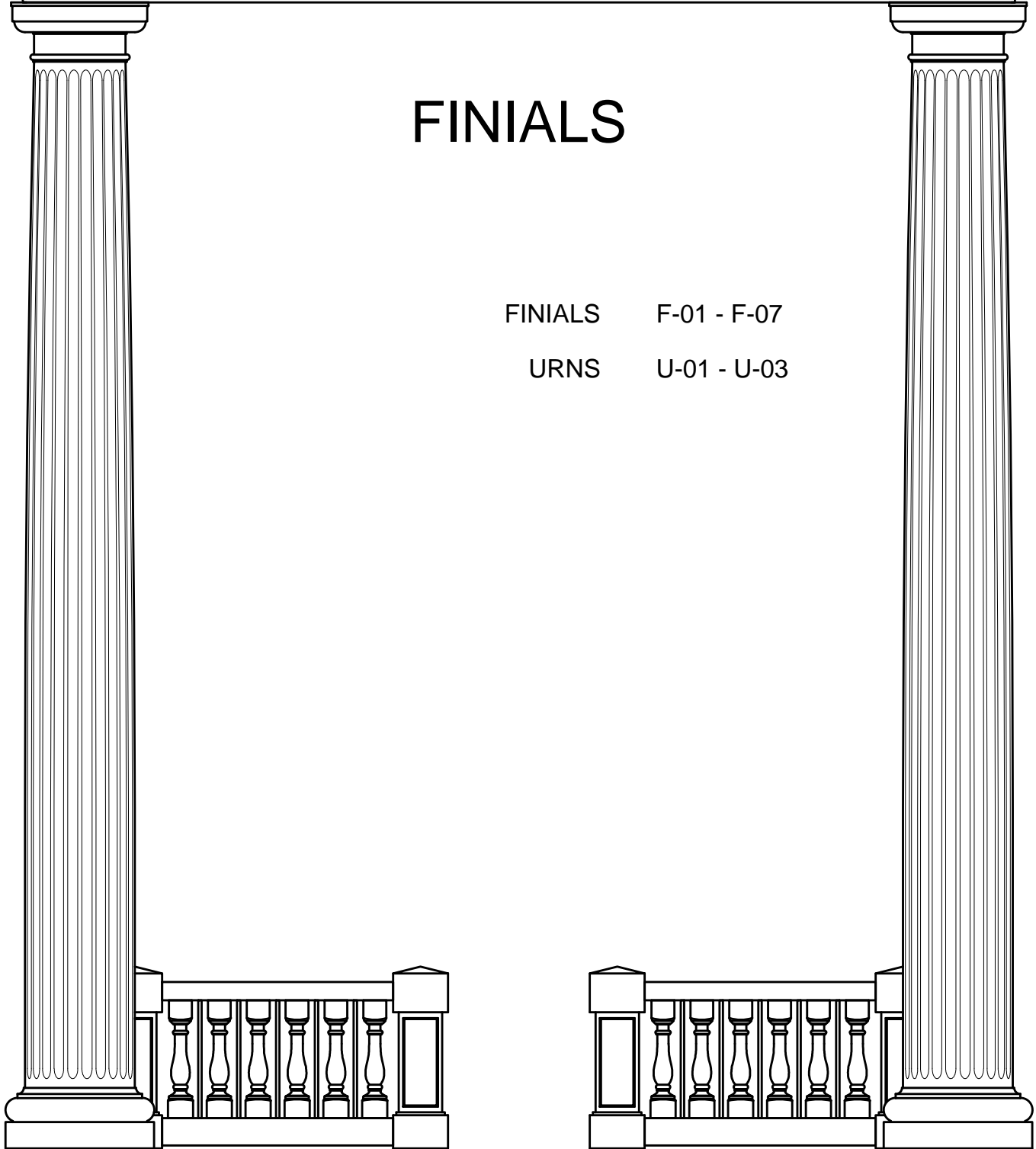
8300 BESSEMER AVE., CLEVELAND, OHIO 44127-1839  
 (216) 641-8300 - FAX:(216) 641-8150  
 www.fiberglass-afi.com



# FINIALS

FINIALS      F-01 - F-07

URNS         U-01 - U-03



## ARCHITECTURAL FIBERGLASS, INC.

8300 Bessemer Ave. \* Cleveland, OH 44127-1839 \* 216-641-8300 \* Fax 216-641-8150 \* [www.fiberglass-afi.com](http://www.fiberglass-afi.com)



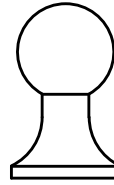
*FST-104*

HEIGHT: 5 3/8"  
WIDTH: 4"



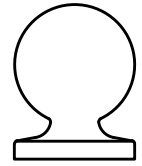
*FST-106*

HEIGHT: 8"  
WIDTH: 6"  
FOOTPRINT: 5 7/8"



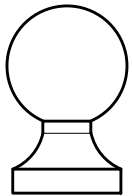
*FST-108*

HEIGHT: 1'-2 1/2"  
WIDTH: 9"



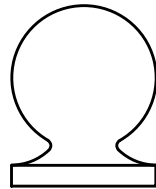
*FST-110*

HEIGHT: 1'-0 7/8"  
WIDTH: 10"



*FST-120*

HEIGHT: 1'-3 5/8"  
WIDTH: 10"  
FOOTPRINT: 9"



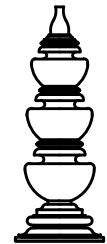
*FST-122*

HEIGHT: 1'-3"  
WIDTH: 1'-0"



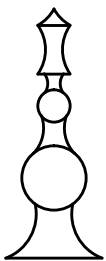
*FST-130*

HEIGHT: 2'-3 5/8"  
WIDTH: 7 1/4"  
FOOTPRINT: 3 1/2"



*FST-140*

HEIGHT: 2'-5 1/4"  
WIDTH: 11"



*FST-145*

HEIGHT: 2'-7 1/8"  
WIDTH: 1'-0"



*FST-150*

HEIGHT: 2'-8"  
WIDTH: 8"  
FOOTPRINT: 6"



*FST-160*

HEIGHT: 2'-7 3/4"  
WIDTH: 1'-0"



*FST-165*

HEIGHT: 3'-7"  
WIDTH: 8"  
FOOTPRINT: 5 1/2"

FINIALS

SHEET NO.

**F-01**

2016



**ARCHITECTURAL FIBERGLASS, INC.**

8300 BESSEMER AVE., CLEVELAND, OHIO 44127-1839  
(216) 641-8300 - FAX:(216) 641-8150  
www.fiberglass-afi.com



*FST-170*

HEIGHT: 3'-11 1/2"  
WIDTH: 1'-2"  
FOOTPRINT: 1'-0"



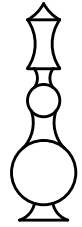
*FST-180*

HEIGHT: 4'-3 1/4"  
WIDTH: 1'-6 1/4"  
FOOTPRINT: 1'-5"



*FST-190*

HEIGHT: 4'-4 3/8"  
WIDTH: 8"



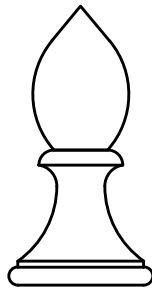
*FST-195*

HEIGHT: 4'-6 1/8"  
WIDTH: 1'-4"  
FOOTPRINT: 1'-0"



*FST-200*

HEIGHT: 4'-8"  
WIDTH: 8"



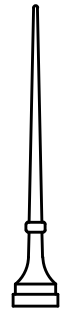
*FST-205*

HEIGHT: 3'-10 1/2"  
WIDTH: 2'-0"  
FOOTPRINT: 1'-9"



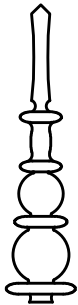
*FST-210*

HEIGHT: 5'-6"  
WIDTH: 9"  
FOOTPRINT: 7"



*FST-215*

HEIGHT: 6'-0"  
WIDTH: 11 1/4"



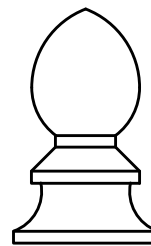
*FST-220*

HEIGHT: 6'-2 1/4"  
WIDTH: 1'-5 1/4"  
FOOTPRINT: 5 3/4"



*FST-230*

HEIGHT: 7'-0"  
WIDTH: 1'-3"  
FOOTPRINT: 1'-0"



*FST-235*

HEIGHT: 1'-7 1/2"  
WIDTH: 1'-0"



*FST-240*

HEIGHT: 1'-0"  
WIDTH: 4"

FINIALS

SHEET NO.

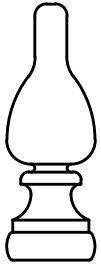
**F-02**

2016



**ARCHITECTURAL FIBERGLASS, INC.**

8300 BESSEMER AVE., CLEVELAND, OHIO 44127-1839  
(216) 641-8300 - FAX:(216) 641-8150  
www.fiberglass-afi.com



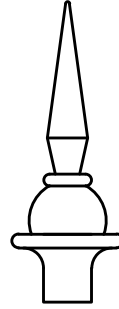
*FST-245*

HEIGHT: 1'-4"  
WIDTH: 5 1/2"  
FOOTPRINT: 4 3/4"



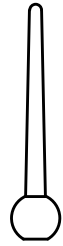
*FST-250*

HEIGHT: 1'-0 1/2"  
WIDTH: 3 1/2"  
FOOTPRINT: 3"



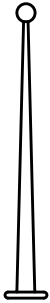
*FST-255*

HEIGHT: 1'-6 3/4"  
WIDTH: 7"  
FOOTPRINT: 3"



*FST-260*

HEIGHT: 2'-5 3/8"  
WIDTH: 6"  
FOOTPRINT: 3"



*FST-265*

HEIGHT: 2'-0 1/2"  
WIDTH: 3 1/2"  
FOOTPRINT: 3"



*FST-270*

HEIGHT: 2'-0"  
WIDTH: 1 1/2"  
FOOTPRINT: 1 1/8"



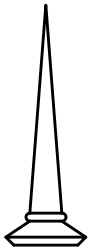
*FST-275*

HEIGHT: 2'-0"  
WIDTH: 1 1/8"



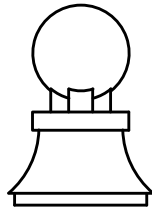
*FST-280*

HEIGHT: 2'-6"  
WIDTH: 2 1/2"



*FST-285*

HEIGHT: 2'-6"  
WIDTH: 10"  
FOOTPRINT: 8"



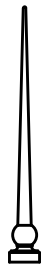
*FST-290*

HEIGHT: 2'-9 1/4"  
WIDTH: 2'-0"  
FOOTPRINT: 1'-10"



*FST-295*

HEIGHT: 3'-1"  
WIDTH: 6"



*FST-300*

HEIGHT: 3'-6 1/2"  
WIDTH: 5"

FINIALS

SHEET NO.

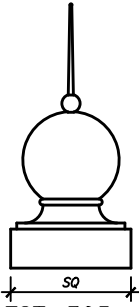
**F-03**

2016



**ARCHITECTURAL FIBERGLASS, INC.**

8300 BESSEMER AVE., CLEVELAND, OHIO 44127-1839  
(216) 641-8300 - FAX:(216) 641-8150  
www.fiberglass-afi.com



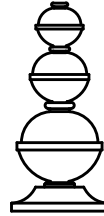
*FST-305*

HEIGHT: 3'-8"  
WIDTH: 1'-8"



*FST-310*

HEIGHT: 3'-11 1/8"  
WIDTH: 1'-0"  
FOOTPRINT: 6"



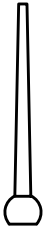
*FST-315*

HEIGHT: 4'-4 1/8"  
WIDTH: 2'-0"



*FST-320*

HEIGHT: 4'-4"  
WIDTH: 1'-6"



*FST-325*

HEIGHT: 4'-7"  
WIDTH: 9"  
FOOTPRINT: 6 7/8"



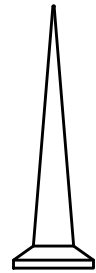
*FST-330*

HEIGHT: 3'-11 1/2"  
WIDTH: 1'-5"



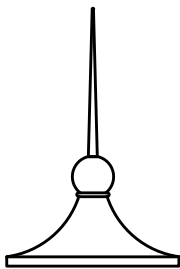
*FST-335*

HEIGHT: 4'-11 1/2"  
WIDTH: 1'-5"



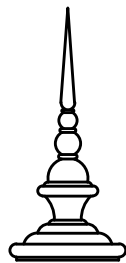
*FST-340*

HEIGHT: 5'-5 1/2"  
WIDTH: 1'-8"



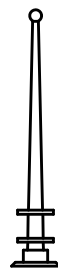
*FST-345*

HEIGHT: 5'-4 3/8"  
WIDTH: 3'-7"



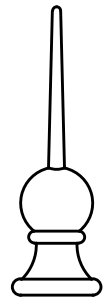
*FST-350*

HEIGHT: 5'-3"  
WIDTH: 2'-5"  
FOOTPRINT: 2'-1 1/2"



*FST-355*

HEIGHT: 5'-4"  
WIDTH: 1'-0"



*FST-360*

HEIGHT: 6'-0"  
WIDTH: 1'-10"  
FOOTPRINT: 1'-6"

FINIALS

SHEET NO.

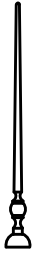
**F-04**

2016



**ARCHITECTURAL FIBERGLASS, INC.**

8300 BESSEMER AVE., CLEVELAND, OHIO 44127-1839  
(216) 641-8300 - FAX:(216) 641-8150  
www.fiberglass-afi.com



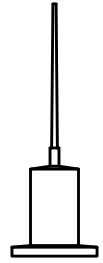
*FST-365*

HEIGHT: 6'-9 3/8"  
WIDTH: 8"



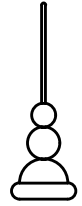
*FST-370*

HEIGHT: 9'-11"  
WIDTH: 1'-4"



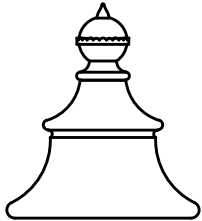
*FST-375*

HEIGHT: 14'-0"  
WIDTH: 4'-8 1/2"



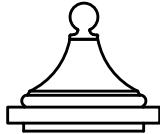
*FST-380*

HEIGHT: 4'-1"  
WIDTH: 1'-4"  
FOOTPRINT: 1'-0"



*FST-385*

HEIGHT: 4'-5 1/2"  
WIDTH: 4'-0"  
FOOTPRINT: 3'-8"



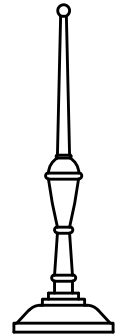
*FST-390*

HEIGHT: 2'-8"  
WIDTH: 3'-2"  
FOOTPRINT: 2'-6"



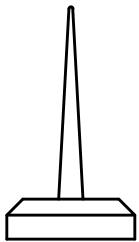
*FST-395*

HEIGHT: 4'-6"  
WIDTH: 10"



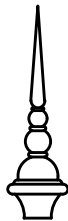
*FST-400*

HEIGHT: 9'-1"  
WIDTH: 2'-9"



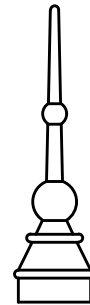
*FST-405*

HEIGHT: 4'-10"  
WIDTH: 2'-8"



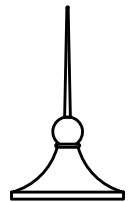
*FST-410*

HEIGHT: 4'-5"  
WIDTH: 1'-3"  
FOOTPRINT: 6 3/4"



*FST-415*

HEIGHT: 6'-2"  
WIDTH: 1'-8"  
FOOTPRINT: 1'-6"



*FST-420*

HEIGHT: 4'-0"  
WIDTH: 2'-4"

FINIALS

SHEET NO.

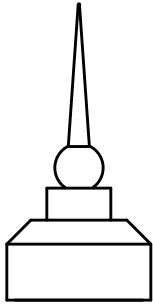
**F-05**

2016



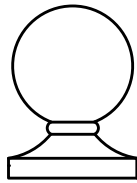
**ARCHITECTURAL FIBERGLASS, INC.**

8300 BESSEMER AVE., CLEVELAND, OHIO 44127-1839  
(216) 641-8300 - FAX:(216) 641-8150  
www.fiberglass-afi.com



*FST-425*

HEIGHT: 6'-2"  
WIDTH: 3'-0"



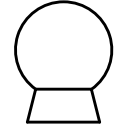
*FST-430*

HEIGHT: 3'-7"  
WIDTH: 2'-8"



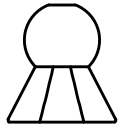
*FST-435*

HEIGHT: 10"  
WIDTH: 4"



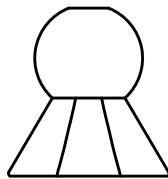
*FST-440*

HEIGHT: 10"  
WIDTH: 8"  
FOOTPRINT: 6"



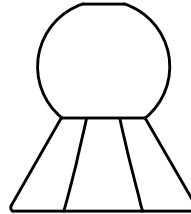
*FST-445*

HEIGHT: 9-3/4"  
WIDTH: 9"



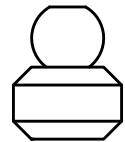
*FST-450*

HEIGHT: 1'-2"  
WIDTH: 1'-1 3/8"



*FST-455*

HEIGHT: 1'-5 1/4"  
WIDTH: 1'-3 1/2"



*FST-470*

HEIGHT: 1'-10"  
WIDTH: 1'-6"  
FOOTPRINT: 1'-0"



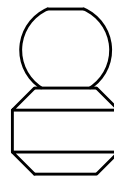
*FST-475*

HEIGHT: 1'-8 7/8"  
WIDTH: 1'-2 3/4"  
FOOTPRINT: 9 3/4"



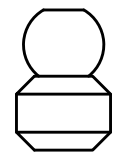
*FST-480*

HEIGHT: 1'-7"  
WIDTH: 1'-0"  
FOOTPRINT: 8"



*FST-485*

HEIGHT: 1'-8 5/8"  
WIDTH: 1'-1 1/4"  
FOOTPRINT: 7 3/4"



*FST-490*

HEIGHT: 1'-5 1/2"  
WIDTH: 11'-0 3/4"  
FOOTPRINT: 7 1/4"

FINIALS

SHEET NO.

**F-06**

2016



**ARCHITECTURAL FIBERGLASS, INC.**

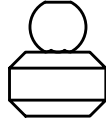
8300 BESSEMER AVE., CLEVELAND, OHIO 44127-1839  
(216) 641-8300 - FAX:(216) 641-8150  
www.fiberglass-afi.com





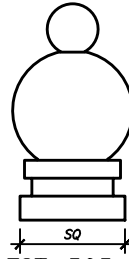
*FST-495*

HEIGHT: 1'-2 3/4"  
WIDTH: 0'-11"  
FOOTPRINT: 7 1/2"



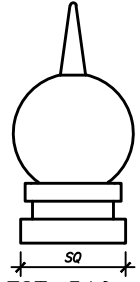
*FST-500*

HEIGHT: 1'-2 1/4"  
WIDTH: 1'-0"  
FOOTPRINT: 8"



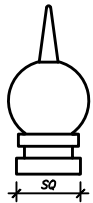
*FST-505*

HEIGHT: 3'-0"  
WIDTH: 1'-8"  
FOOTPRINT: 1'-5 1/2"



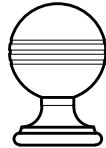
*FST-510*

HEIGHT: 3'-4"  
WIDTH: 1'-8"  
FOOTPRINT: 1'-5 1/2"



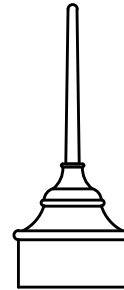
*FST-515*

HEIGHT: 1'-9"  
WIDTH: 10"  
FOOTPRINT: 8"



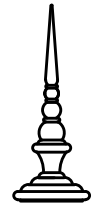
*FST-520*

HEIGHT: 1'-5 5/8"  
WIDTH: 1'-0"  
FOOTPRINT: 9 1/2"



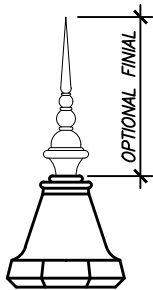
*FST-525*

HEIGHT: 7'-10"  
WIDTH: 3'-3"  
FOOTPRINT: 3'-0"



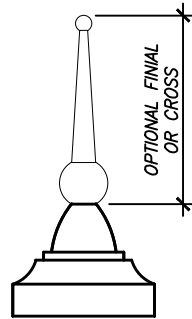
*FST-530*

HEIGHT: 4'-1"  
WIDTH: 1'-3 1/2"  
FOOTPRINT: 1'-3 1/2"



*FST-535*

HEIGHT: 3'-1"  
WIDTH: 3'-3"  
FOOTPRINT: 2'-9"



*FST-540*

HEIGHT: 2'-4"  
WIDTH: 2'-11 1/2"

FINIALS

SHEET NO.

**F-07**

2016

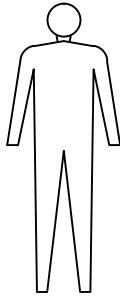


**ARCHITECTURAL FIBERGLASS, INC.**

8300 BESSEMER AVE., CLEVELAND, OHIO 44127-1839  
(216) 641-8300 - FAX:(216) 641-8150  
www.fiberglass-afi.com

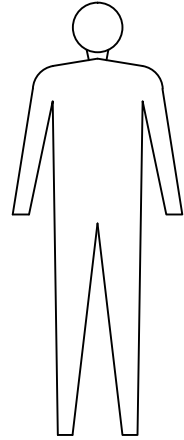
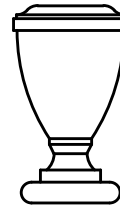
URN-101

HEIGHT: 7'-7 1/2"  
WIDTH: 3'-1 1/2"  
FOOTPRINT: 2'-3"



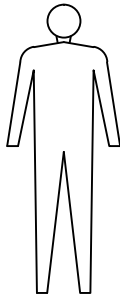
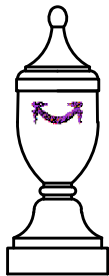
URN-102

HEIGHT: 2'-8 7/8"  
WIDTH: 1'-7"  
FOOTPRINT: 1'-1"



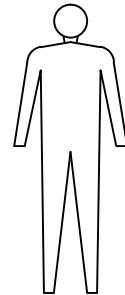
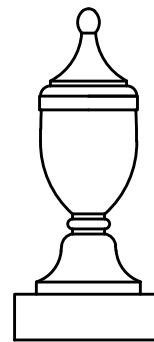
URN-103

HEIGHT: 5'-6 3/4"  
WIDTH: 2'-1"



URN-104

HEIGHT: 6'-10 3/4"  
WIDTH: 3'-1"



URNS

SHEET NO.

**U-01**

2016

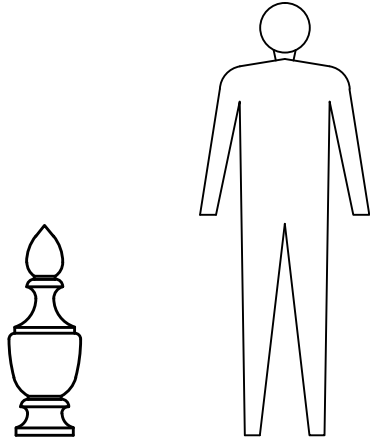


**ARCHITECTURAL FIBERGLASS, INC.**

8300 BESSEMER AVE., CLEVELAND, OHIO 44127-1839  
(216) 641-8300 - FAX:(216) 641-8150  
[www.fiberglass-afi.com](http://www.fiberglass-afi.com)

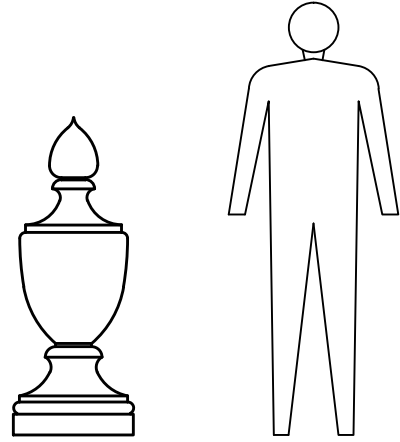
URN-105

HEIGHT: 2'-11"  
WIDTH: 1'-0"  
FOOTPRINT: 9 1/2"



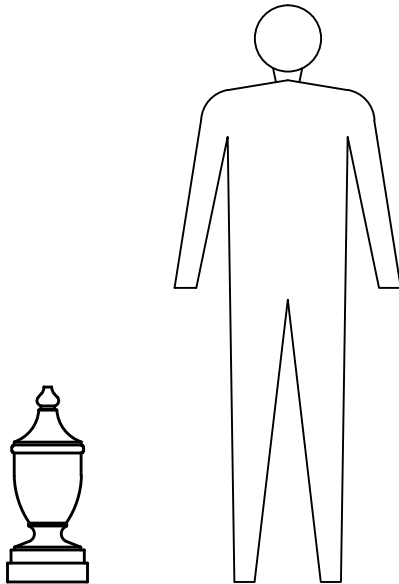
URN-106

HEIGHT: 4'-4 7/8"  
WIDTH: 1'-8"



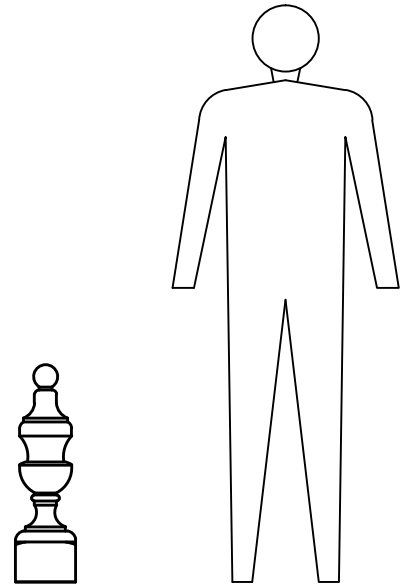
URN-107

HEIGHT: 2'-0 3/8"  
WIDTH: 10"



URN-108

HEIGHT: 2'-3 1/8"  
WIDTH: 7-1/2"



URNS

SHEET NO.

**U-02**

2016

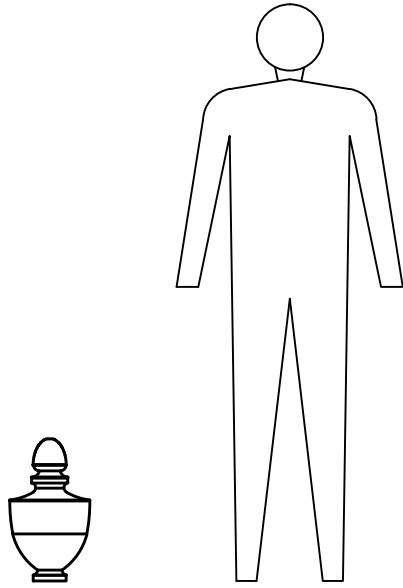


**ARCHITECTURAL FIBERGLASS, INC.**

8300 BESSEMER AVE., CLEVELAND, OHIO 44127-1839  
(216) 641-8300 - FAX:(216) 641-8150  
[www.fiberglass-afi.com](http://www.fiberglass-afi.com)

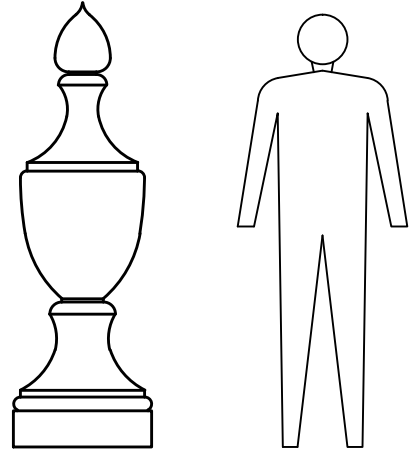
URN-109

HEIGHT: 1'-5 3/4"  
WIDTH: 10"  
FOOTPRINT: 4 1/8"



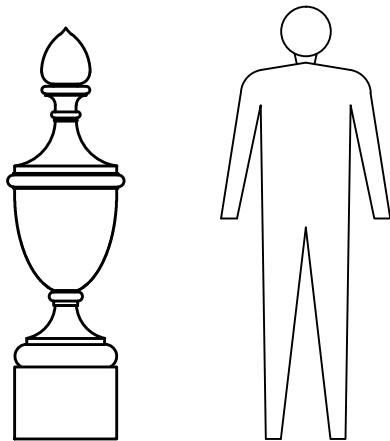
URN-110

HEIGHT: 6'-2"  
WIDTH: 1'-11"



URN-111

HEIGHT: 5'-8 1/2"  
WIDTH: 1'-7 1/2"  
FOOTPRINT: 1'-5"



URNS

SHEET NO.

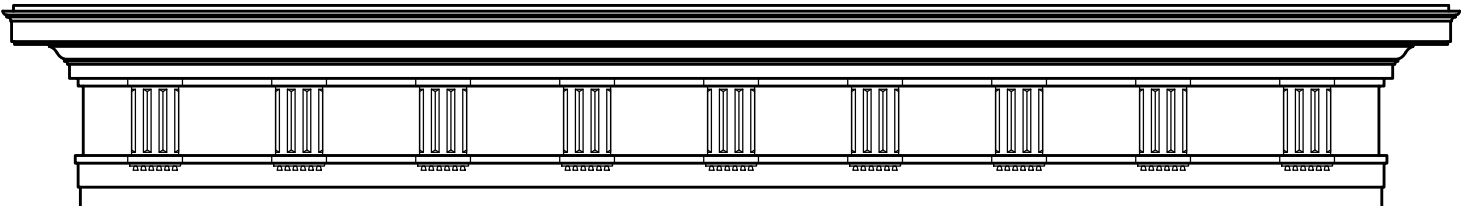
**U-03**

2016



**ARCHITECTURAL FIBERGLASS, INC.**

8300 BESSEMER AVE., CLEVELAND, OHIO 44127-1839  
(216) 641-8300 - FAX:(216) 641-8150  
[www.fiberglass-afi.com](http://www.fiberglass-afi.com)

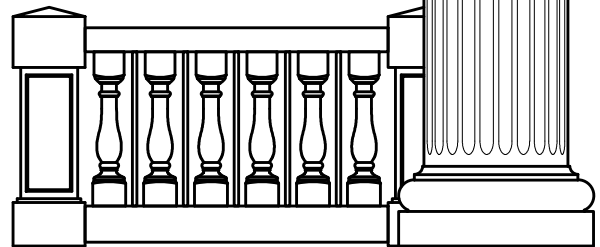
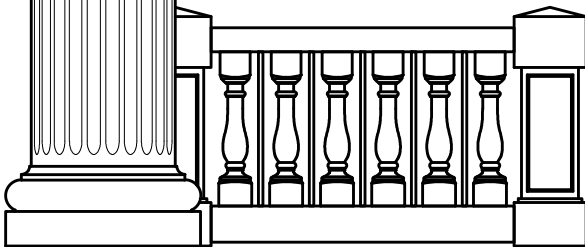


# BALUSTRADES

BALUSTERS B-01 - B-05

NEWELL POSTS NP-01 - NP-09

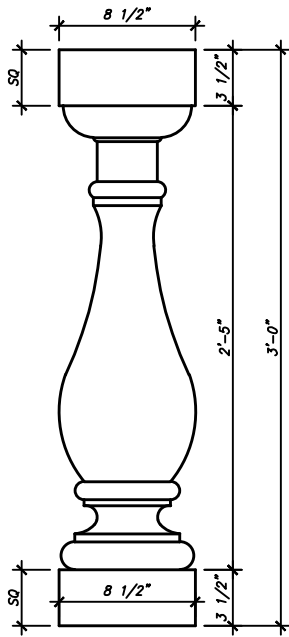
BALUSTRADE RAILS R-01 - R-03



## ARCHITECTURAL FIBERGLASS, INC.

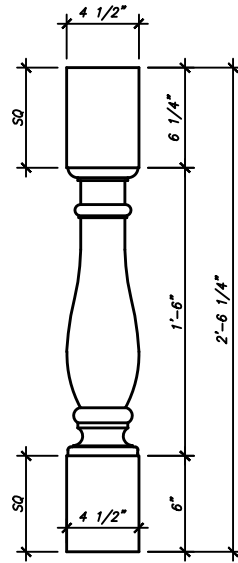
8300 Bessemer Ave. \* Cleveland, OH 44127-1839 \* 216-641-8300 \* Fax 216-641-8150 \* [www.fiberglass-afi.com](http://www.fiberglass-afi.com)

NOTE: ALL BALUSTERS CAN BE HEIGHT ADJUSTED  $\pm 3"$  BASED ON THE NEEDS OF THE PROJECT



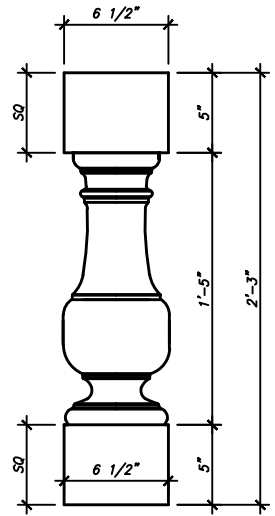
**BS-110**

USE WITH RAIL:  
RT-130, RT-140,  
or RT-150.



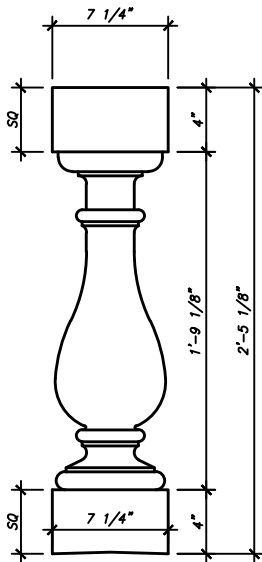
**BS-120**

USE WITH RAIL:  
RT-110, RT-120,  
RT-160, RT-170,  
RT-180, RT-190,  
or RT-200.



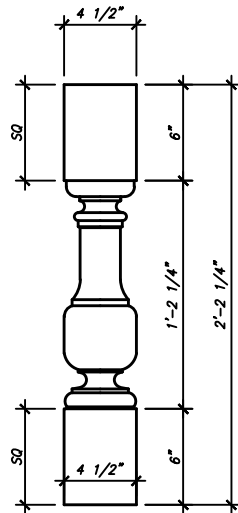
**BS-130**

USE WITH RAIL:  
RT-130, RT-140,  
RT-150, RT-170,  
or RT-190.



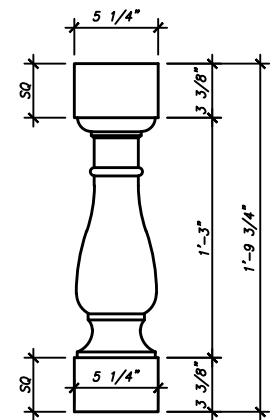
**BS-140**

USE WITH RAIL:  
RT-130, RT-140,  
RT-150, or RT-190.



**BS-150**

USE WITH RAIL:  
RT-110, RT-120,  
RT-160, RT-170,  
RT-180, RT-190,  
or RT-200.



**BS-160**

USE WITH RAIL:  
RT-110, RT-120,  
RT-150, RT-170,  
RT-180, or RT-190.

BALUSTRADES

SHEET NO.

**B-01**

2020

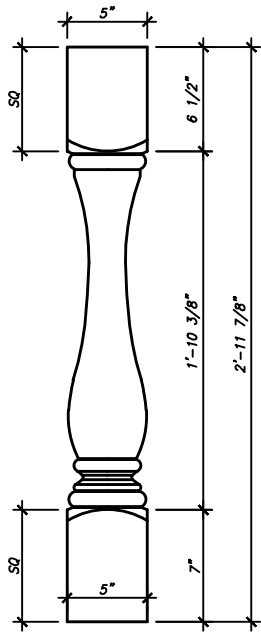
BALUSTERS



**ARCHITECTURAL FIBERGLASS, INC.**

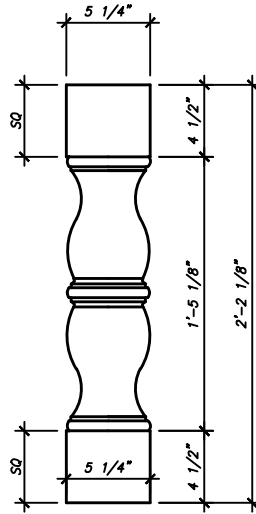
8300 BESSEMER AVE., CLEVELAND, OHIO 44127-1839  
(216) 641-8300 - FAX:(216) 641-8150  
www.fiberglass-afi.com

NOTE: ALL BALUSTERS CAN BE HEIGHT ADJUSTED  $\pm 3"$  BASED ON THE NEEDS OF THE PROJECT



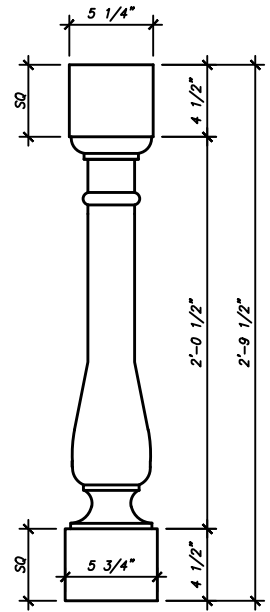
**BS-170**

USE WITH RAIL:  
RT-110, RT-120,  
RT-150, RT-170,  
RT-180, RT-190,  
or RT-200.



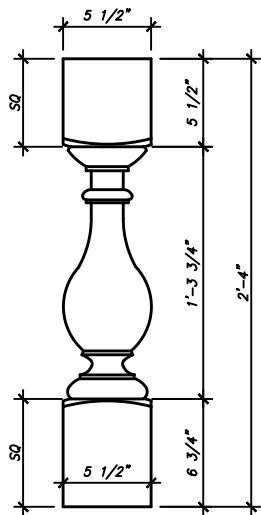
**BS-180**

USE WITH RAIL:  
RT-110, RT-120,  
RT-150, RT-170,  
RT-180, or RT-190.



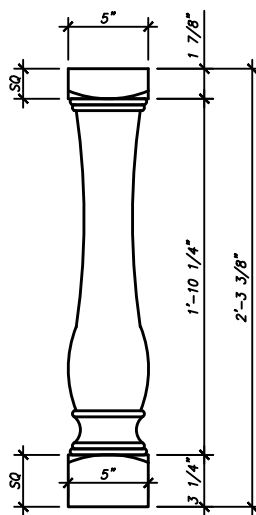
**BS-190**

USE WITH RAIL:  
RT-110, RT-120,  
RT-150, RT-170,  
RT-180, or RT-190.



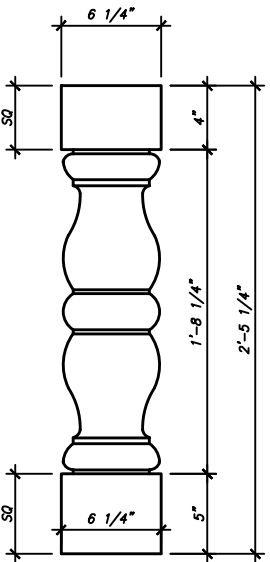
**BS-200**

USE WITH RAIL:  
RT-110, RT-120,  
RT-150, RT-170,  
RT-180, or RT-190.



**BS-210**

USE WITH RAIL:  
RT-110, RT-120,  
RT-150, RT-170,  
RT-180, RT-190,  
or RT-200.



**BS-220**

USE WITH RAIL:  
RT-130, RT-140,  
RT-150, RT-170,  
or RT-190.

BALUSTRADES

SHEET NO.

**B-02**

2020

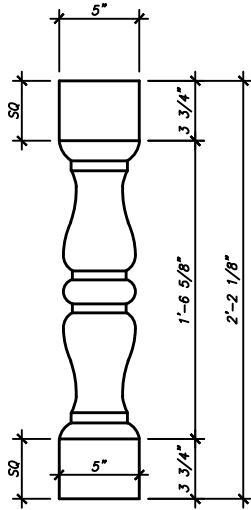
BALUSTERS



**ARCHITECTURAL FIBERGLASS, INC.**

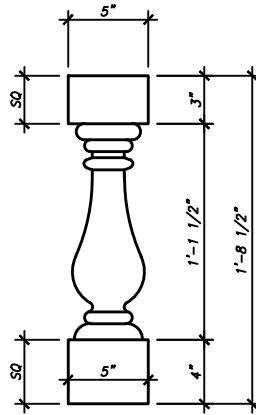
8300 BESSEMER AVE., CLEVELAND, OHIO 44127-1839  
(216) 641-8300 - FAX:(216) 641-8150  
www.fiberglass-afi.com

NOTE: ALL BALUSTERS CAN BE HEIGHT ADJUSTED ±3" BASED ON THE NEEDS OF THE PROJECT



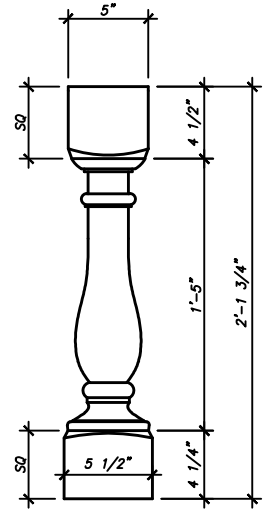
**BS-230**

USE WITH RAIL:  
RT-110, RT-120,  
RT-150, RT-170,  
RT-180, RT-190,  
or RT-200.



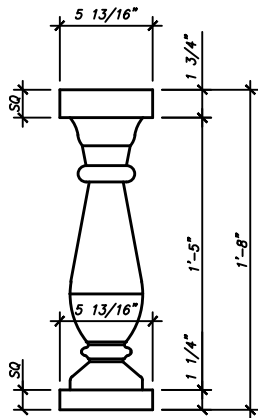
**BS-240**

USE WITH RAIL:  
RT-110, RT-120,  
RT-150, RT-170,  
RT-180, RT-190,  
or RT-200.



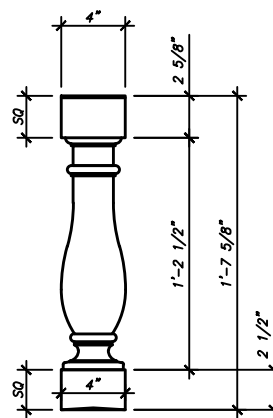
**BS-250**

USE WITH RAIL:  
RT-110, RT-120,  
RT-150, RT-170,  
RT-180, RT-190,  
or RT-200.



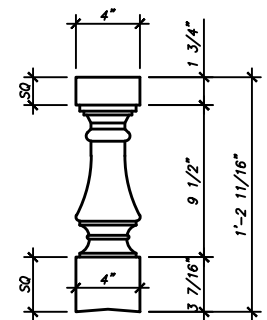
**BS-260**

USE WITH RAIL:  
RT-110, RT-120,  
RT-130, RT-140,  
RT-150, RT-170,  
or RT-190.



**BS-270**

USE WITH RAIL:  
RT-110, RT-120,  
RT-160, RT-180,  
or RT-200.



**BS-280**

BALUSTER IS SQUARE  
USE WITH RAIL:  
RT-110, RT-120,  
RT-160, RT-180,  
or RT-200.

BALUSTRADES

BALUSTERS

SHEET NO.

**B-03**

2020

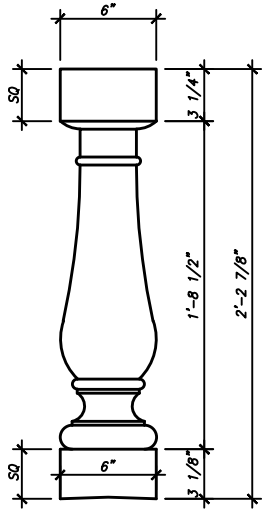


**ARCHITECTURAL FIBERGLASS, INC.**

8300 BESSEMER AVE., CLEVELAND, OHIO 44127-1839  
(216) 641-8300 - FAX:(216) 641-8150  
www.fiberglass-afi.com

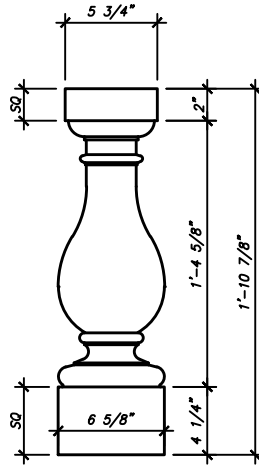


NOTE: ALL BALUSTERS CAN BE HEIGHT ADJUSTED  $\pm 3"$  BASED ON THE NEEDS OF THE PROJECT



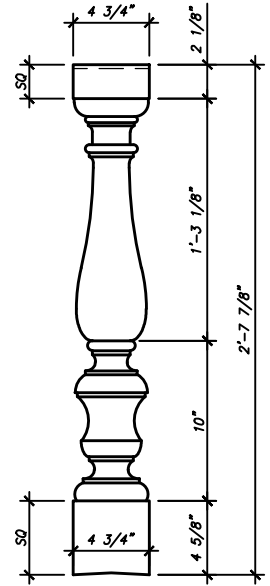
**BS-290**

USE WITH RAIL:  
RT-120, RT-130,  
RT-140, RT-150,  
RT-170, RT-190,  
RT-210.



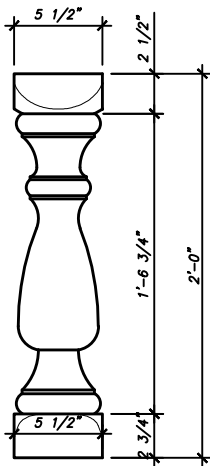
**BS-300**

USE WITH RAIL:  
RT-130, RT-140,  
RT-150, RT-170,  
or RT-190.



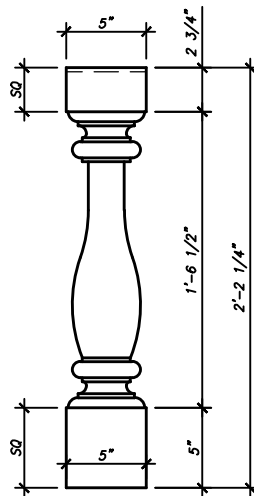
**BS-310**

USE WITH RAIL:  
RT-110, RT-120,  
RT-150, or RT-170.



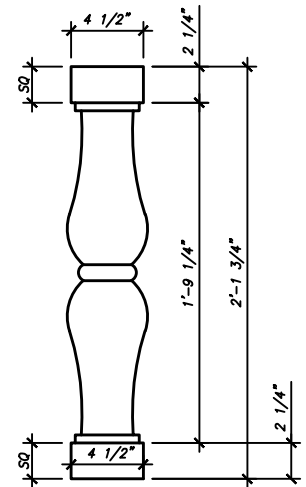
**BS-320**

USE WITH RAIL:  
RT-120, RT-150,  
or RT-190.



**BS-330**

USE WITH RAIL:  
RT-220, RT-150,  
or RT-190.



**BS-340**

USE WITH RAIL:  
RT-230, RT-150,  
or RT-190.

BALUSTRADES

SHEET NO.

**B-04**

2020

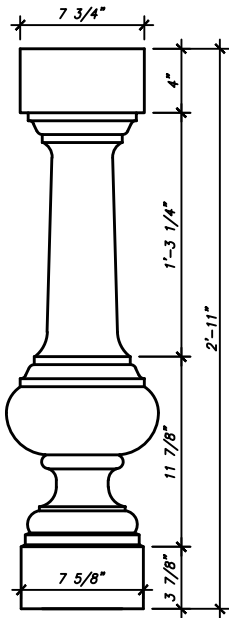
BALUSTERS



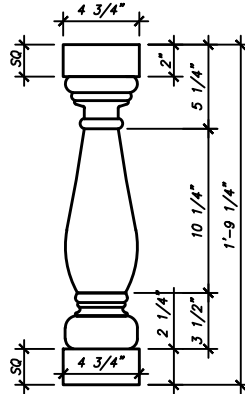
**ARCHITECTURAL FIBERGLASS, INC.**

8300 BESSEMER AVE., CLEVELAND, OHIO 44127-1839  
(216) 641-8300 - FAX:(216) 641-8150  
www.fiberglass-afi.com

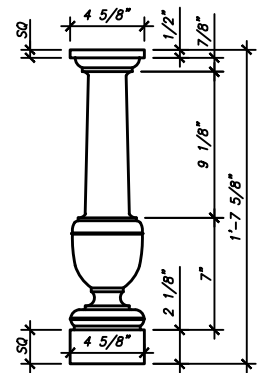
NOTE: ALL BALUSTERS CAN BE HEIGHT ADJUSTED ±3" BASED ON THE NEEDS OF THE PROJECT



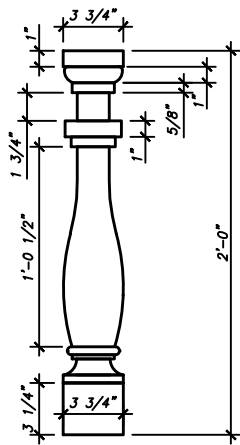
**BS-350**  
USE WITH RAIL:



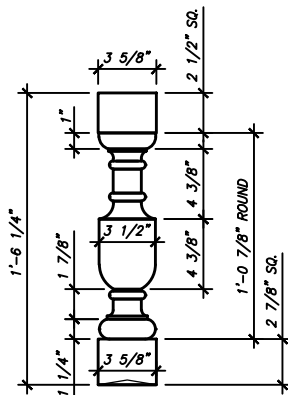
**BS-360**  
USE WITH RAIL:  
RT-240



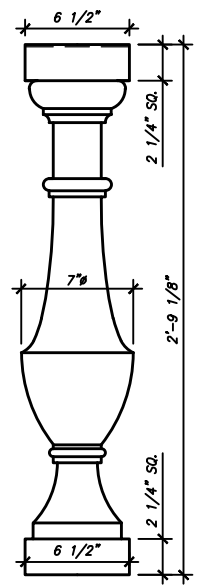
**BS-370**  
USE WITH RAIL:  
RT-250



**BS-380**  
USE WITH RAIL:



**BS-390**  
USE WITH RAIL:  
RT-270



**BS-400**  
USE WITH RAIL:  
RT-260

BALUSTRADES

BALUSTERS

SHEET NO.

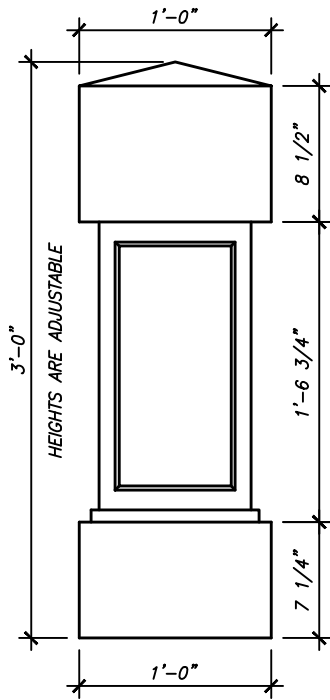
**B-05**

2020



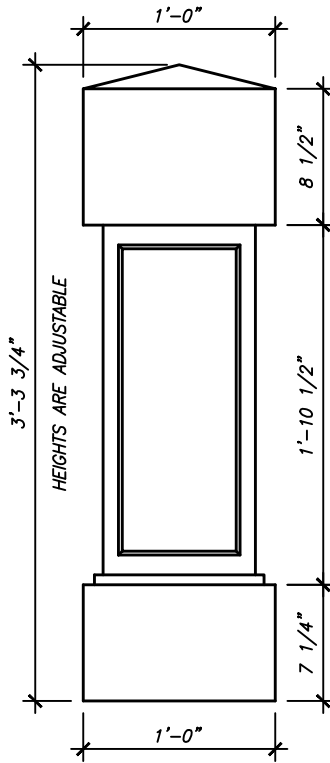
**ARCHITECTURAL FIBERGLASS, INC.**

8300 BESSEMER AVE., CLEVELAND, OHIO 44127-1839  
(216) 641-8300 - FAX:(216) 641-8150  
www.fiberglass-afi.com



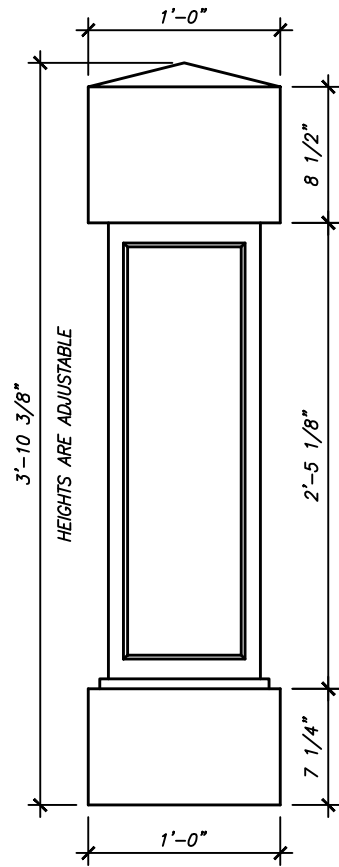
NP-100

USE RT-110, RT-120, RT-130,  
RT-140, RT-150, RT-160,  
RT-170, RT-180, RT-190,  
OR RT-200.



NP-110

USE RT-110, RT-120, RT-130,  
RT-140, RT-150, RT-160,  
RT-170, RT-180, RT-190,  
OR RT-200.



NP-120

USE RT-110, RT-120, RT-130,  
RT-140, RT-150, RT-160,  
RT-170, RT-180, RT-190,  
OR RT-200.

BALUSTRADES

SHEET NO.

**NP-01**

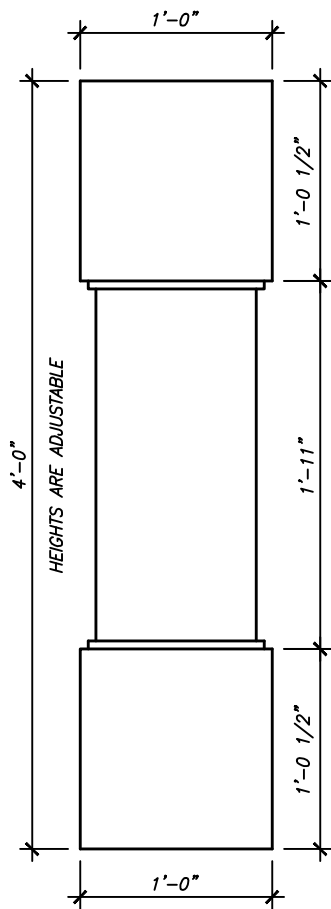
2020

NEWEL POSTS



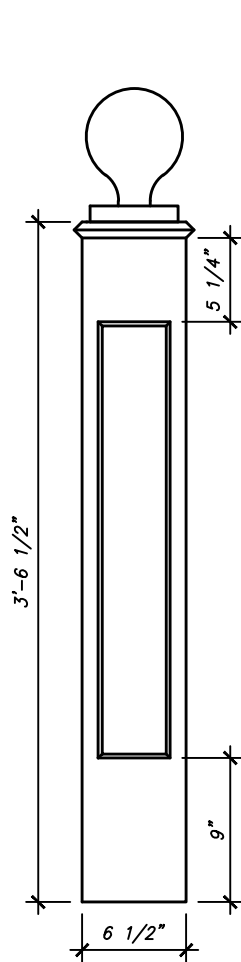
**ARCHITECTURAL FIBERGLASS, INC.**

8300 BESSEMER AVE., CLEVELAND, OHIO 44127-1839  
(216) 641-8300 - FAX:(216) 641-8150  
www.fiberglass-afi.com



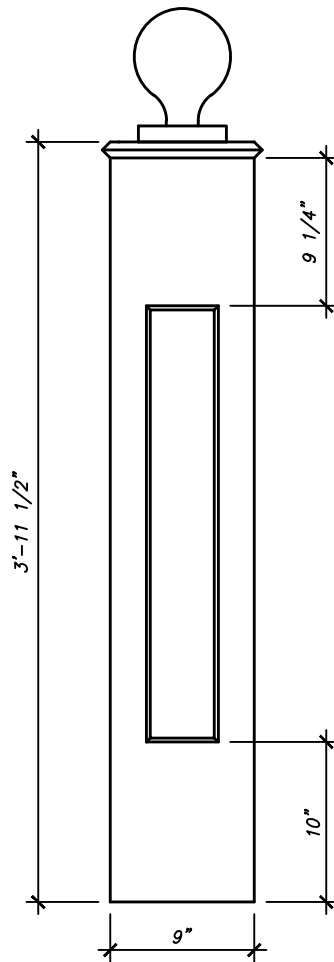
NP-130

USE RT-110, RT-120, RT-130,  
RT-140, RT-150, RT-160,  
RT-170, RT-180, RT-190,  
OR RT-200.



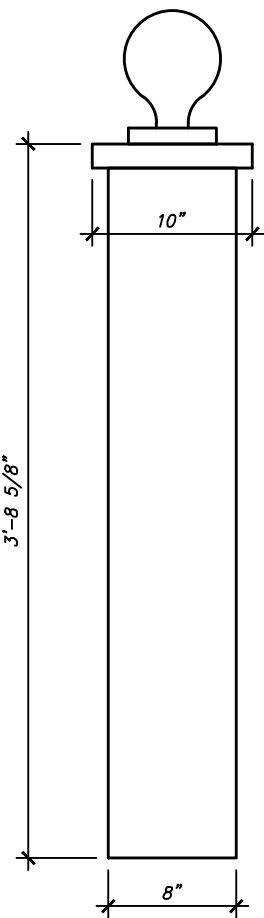
NP-140

USE RT-110  
OR RT-200.



NP-150

USE RT-110, RT-120, RT-160,  
RT-170, RT-180, OR RT-200.



NP-160

USE RT-110, RT-160,  
RT-170, OR RT-200.

NEWEL POSTS MAY BE CAPPED WITH OPTIONAL FINIAL BALL

BALUSTRADES

SHEET NO.

**NP-02**

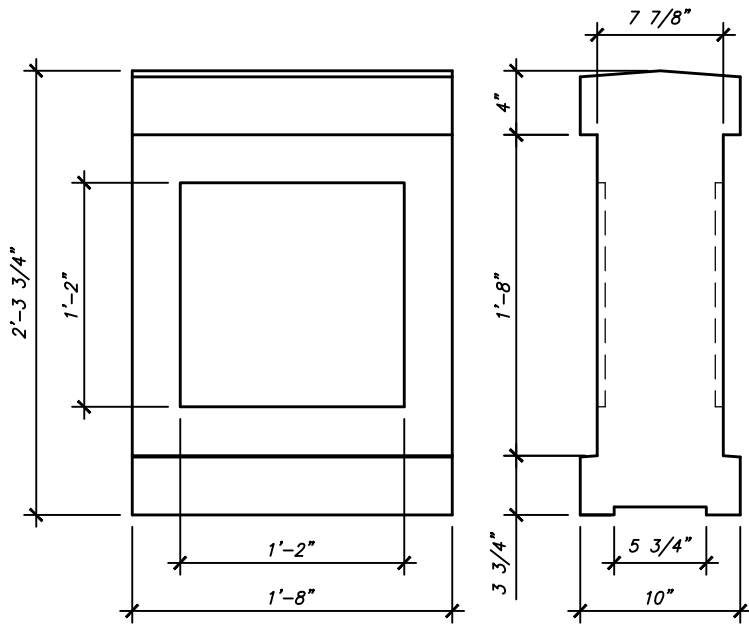
2020

NEWEL POSTS



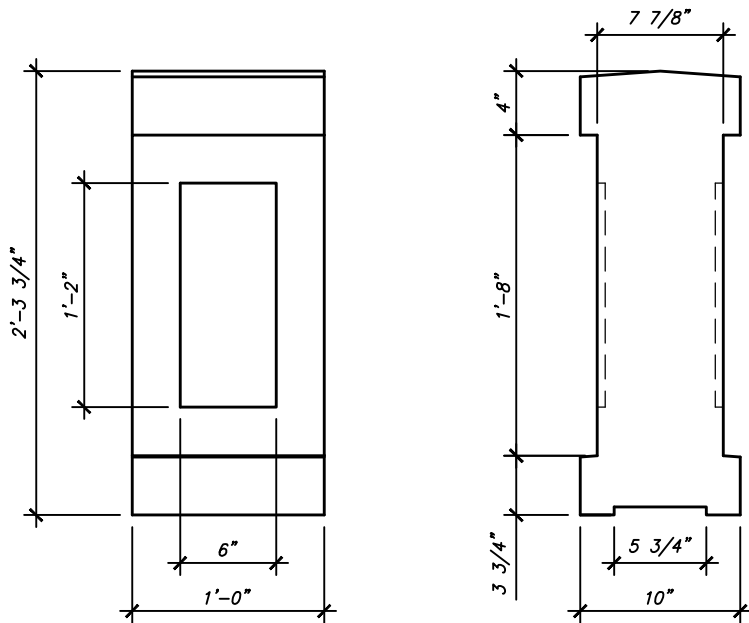
**ARCHITECTURAL FIBERGLASS, INC.**

8300 BESSEMER AVE., CLEVELAND, OHIO 44127-1839  
(216) 641-8300 - FAX:(216) 641-8150  
www.fiberglass-afi.com



NP-170-A

USE RT-150  
ONLY.



NP-170-B

USE RT-150  
ONLY.

BALUSTRADES

SHEET NO.

**NP-03**

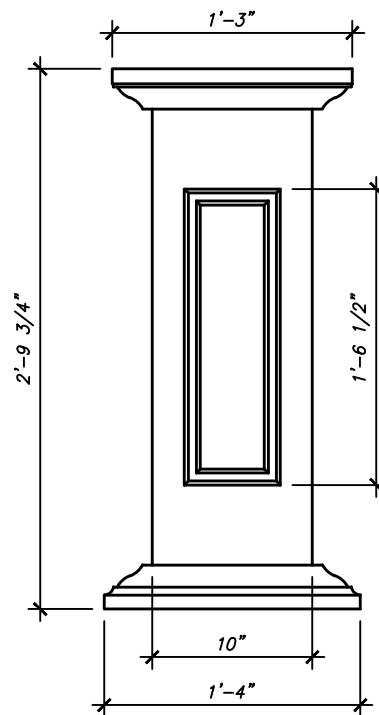
2020

NEWEL POSTS



**ARCHITECTURAL FIBERGLASS, INC.**

8300 BESSEMER AVE., CLEVELAND, OHIO 44127-1839  
(216) 641-8300 - FAX:(216) 641-8150  
www.fiberglass-afi.com



*NP-180*

USE RT-110, RT-120, RT-160,  
RT-170, RT-180, OR RT-200.

BALUSTRADES

SHEET NO.

**NP-04**

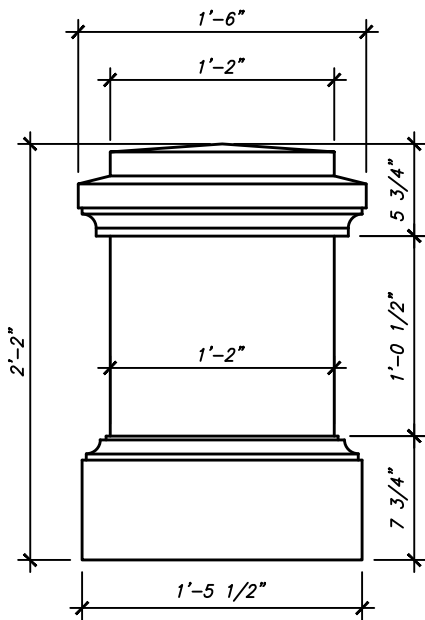
2020

NEWEL POSTS



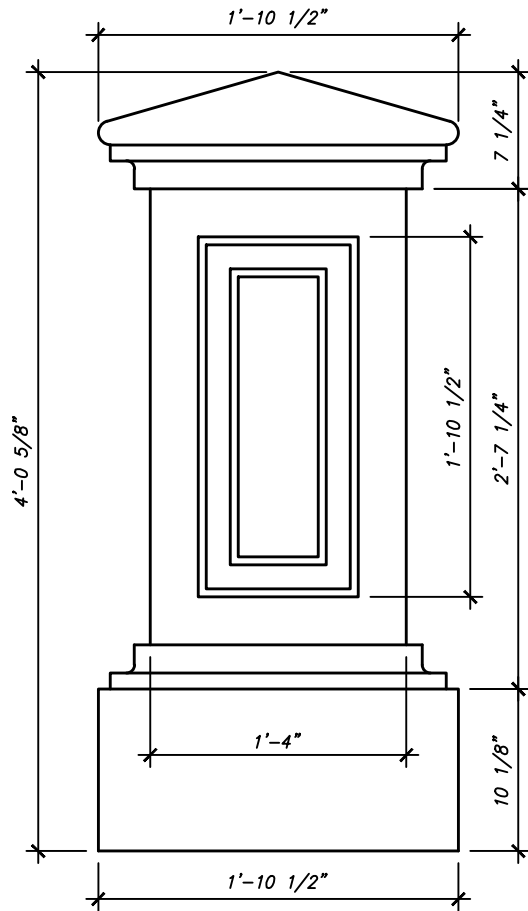
**ARCHITECTURAL FIBERGLASS, INC.**

8300 BESSEMER AVE., CLEVELAND, OHIO 44127-1839  
(216) 641-8300 - FAX:(216) 641-8150  
www.fiberglass-afi.com



NP-190

USE RT-180  
ONLY.



NP-200

USE RT-190  
ONLY.

BALUSTRADES

SHEET NO.

**NP-05**

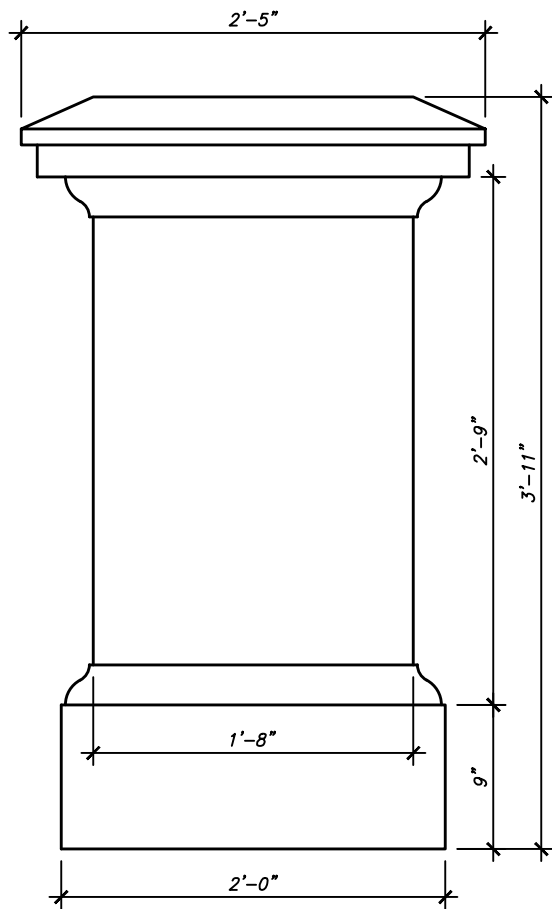
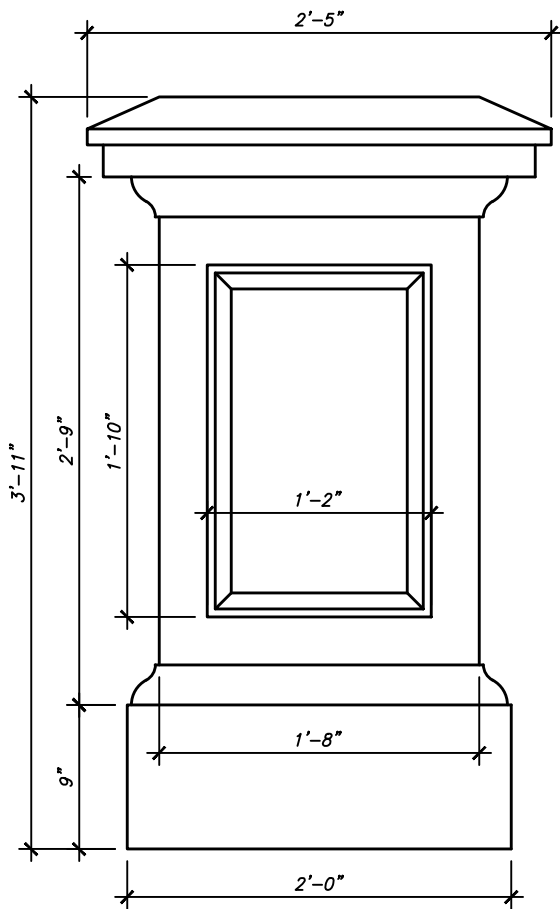
2020

NEWEL POSTS



**ARCHITECTURAL FIBERGLASS, INC.**

8300 BESSEMER AVE., CLEVELAND, OHIO 44127-1839  
(216) 641-8300 - FAX:(216) 641-8150  
www.fiberglass-afi.com



NP-210

BALUSTRADES

NEWEL POSTS

SHEET NO.

**NP-06**

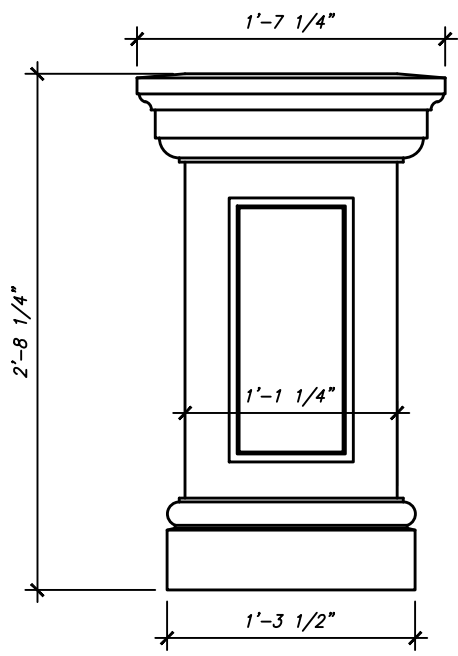
2020



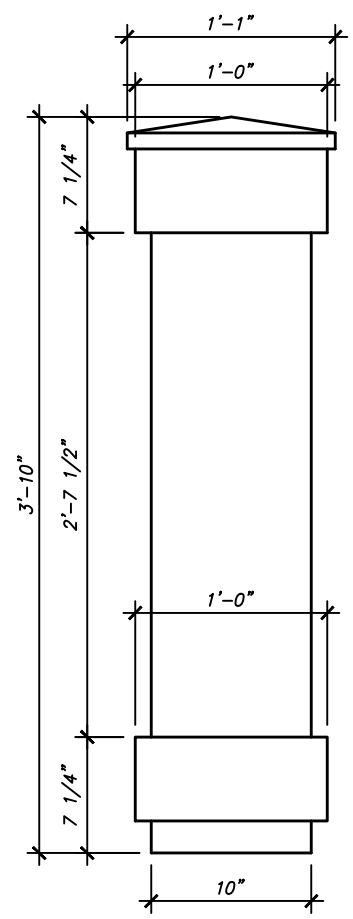
**ARCHITECTURAL FIBERGLASS, INC.**

8300 BESSEMER AVE., CLEVELAND, OHIO 44127-1839  
 (216) 641-8300 - FAX:(216) 641-8150  
[www.fiberglass-afi.com](http://www.fiberglass-afi.com)





NP-260



NP-220

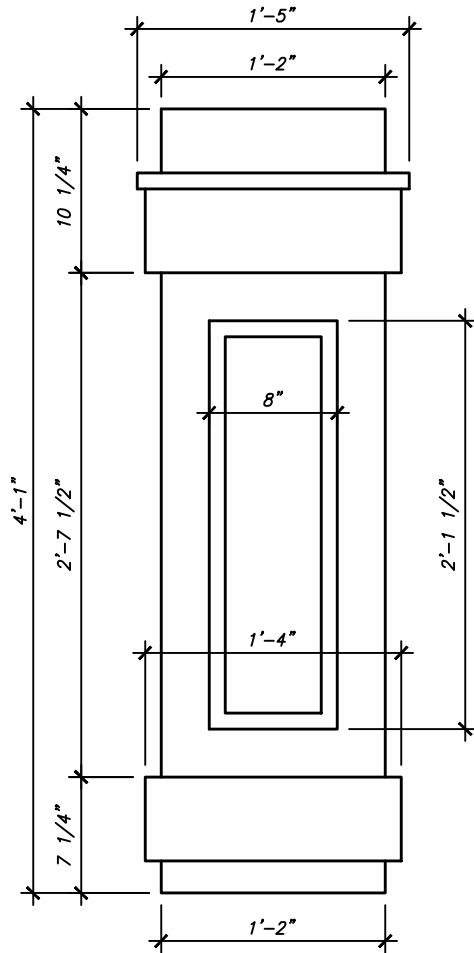
BALUSTRADES  
 SHEET NO.  
**NP-07**  
 2020

NEWEL POSTS

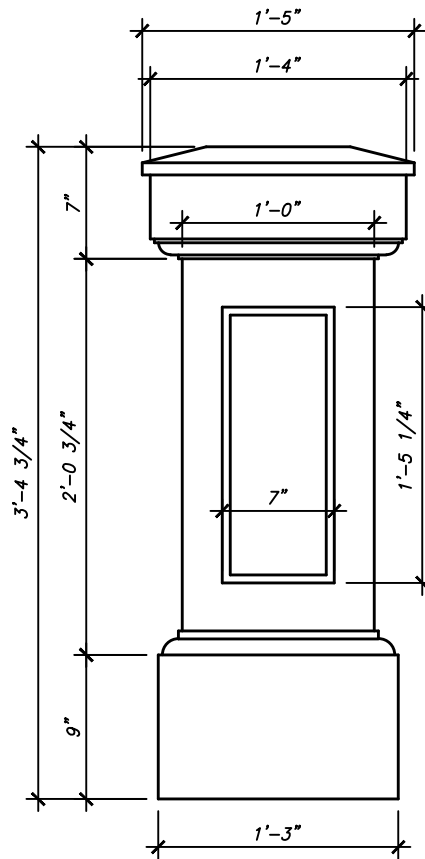


**ARCHITECTURAL FIBERGLASS, INC.**

8300 BESSEMER AVE., CLEVELAND, OHIO 44127-1839  
 (216) 641-8300 - FAX:(216) 641-8150  
 www.fiberglass-afi.com



NP-230



NP-240

BALUSTRADES

SHEET NO.

**NP-08**

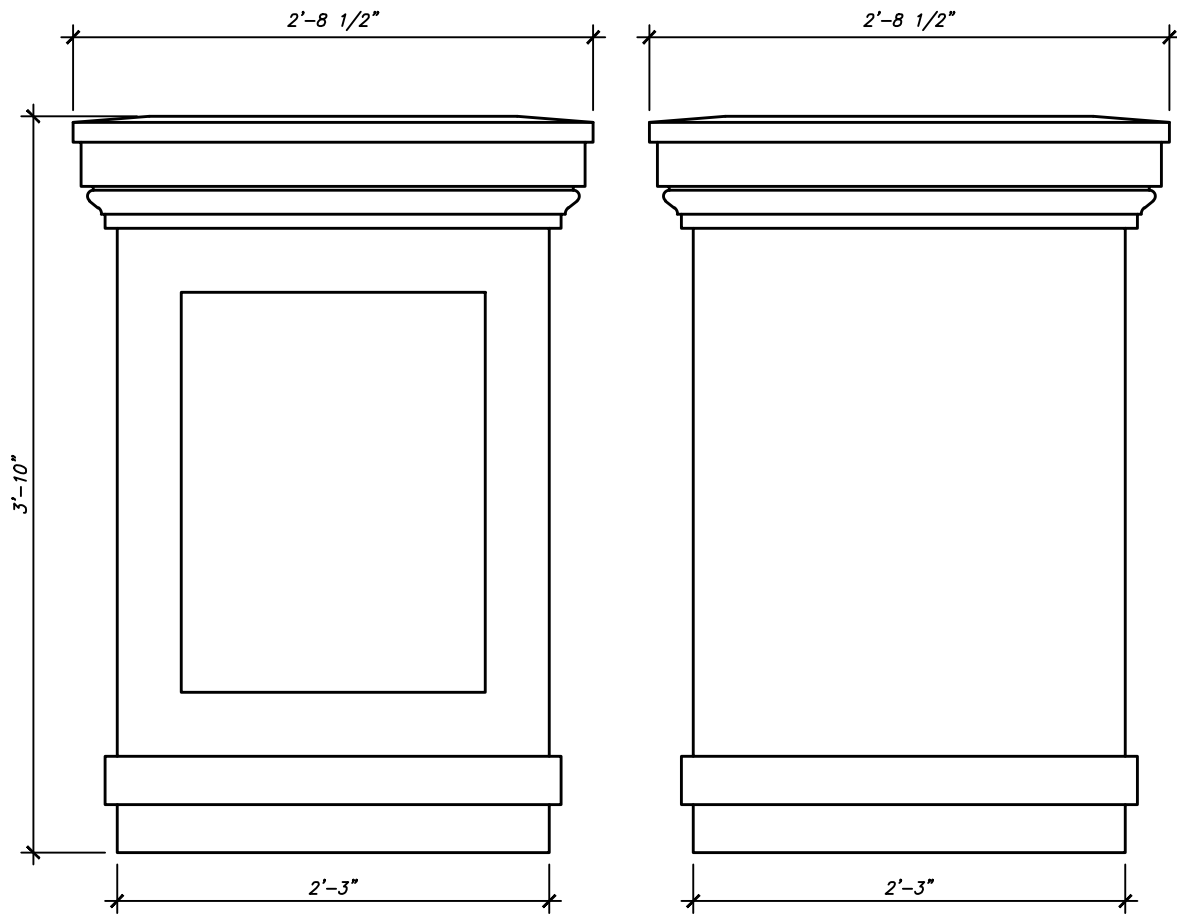
2020

NEWEL POSTS



**ARCHITECTURAL FIBERGLASS, INC.**

8300 BESSEMER AVE., CLEVELAND, OHIO 44127-1839  
 (216) 641-8300 - FAX:(216) 641-8150  
[www.fiberglass-afi.com](http://www.fiberglass-afi.com)



*NP-250*

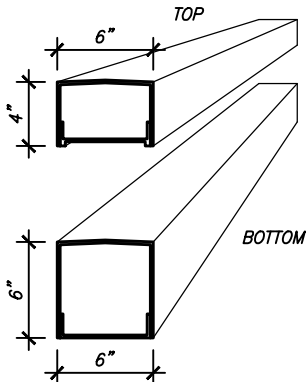
BALUSTRADES  
 SHEET NO.  
**NP-09**  
 2020

NEWEL POSTS

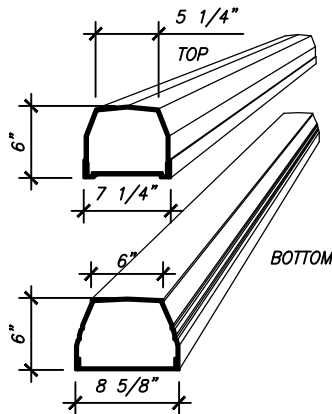


**ARCHITECTURAL FIBERGLASS, INC.**

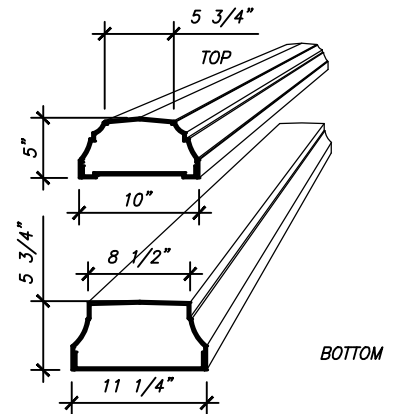
8300 BESSEMER AVE., CLEVELAND, OHIO 44127-1839  
 (216) 641-8300 - FAX:(216) 641-8150  
 www.fiberglass-afi.com



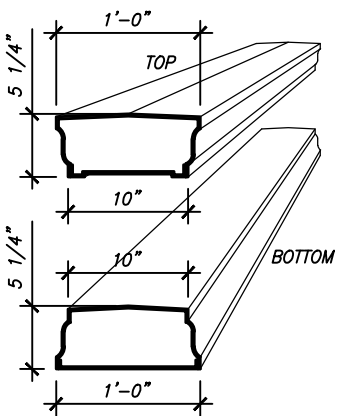
RT-110



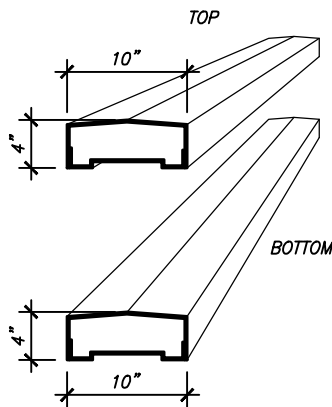
RT-120



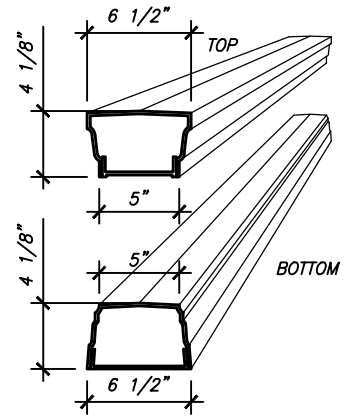
RT-130



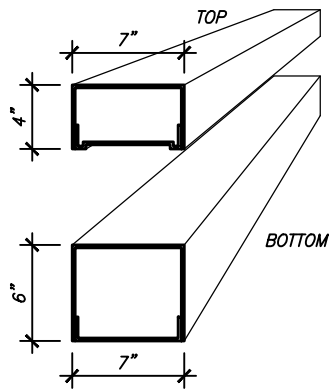
RT-140



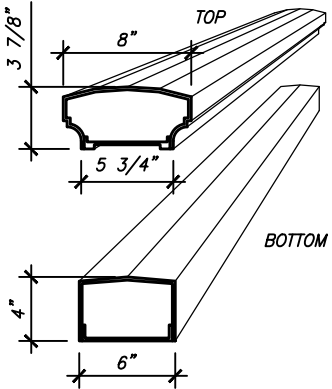
RT-150



RT-160



RT-170



RT-180

NOTES:

\* ALL RAIL LENGTHS ARE ADJUSTABLE (MAX 12' SECTIONS)

\* NOT ALL BALUSTERS, RAIL, AND NEWEL POSTS ARE COMPATIBLE WITH ONE ANOTHER

BALUSTRADES

SHEET NO.

R-01

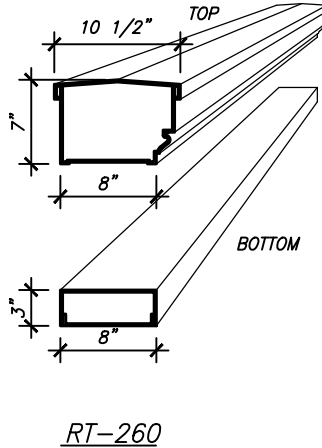
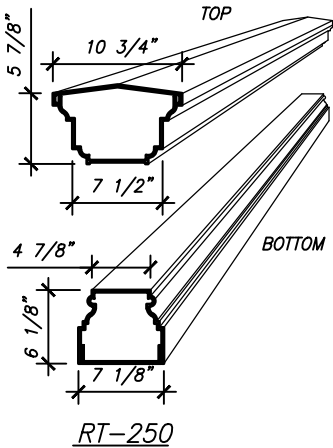
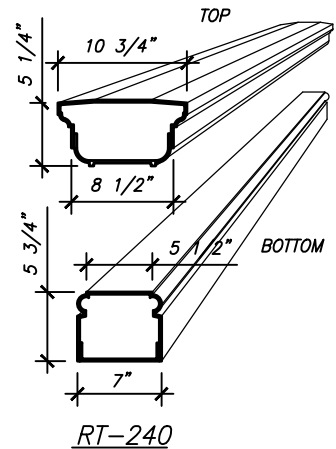
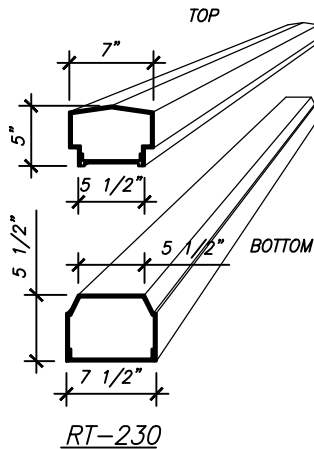
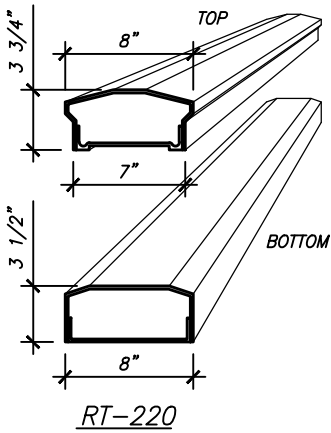
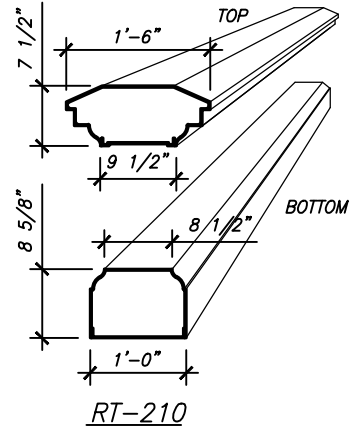
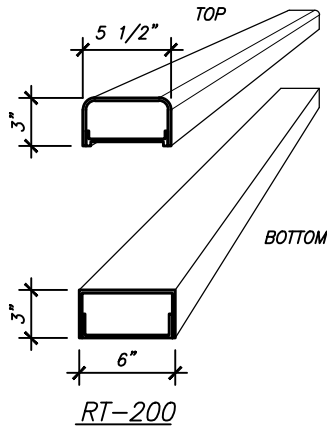
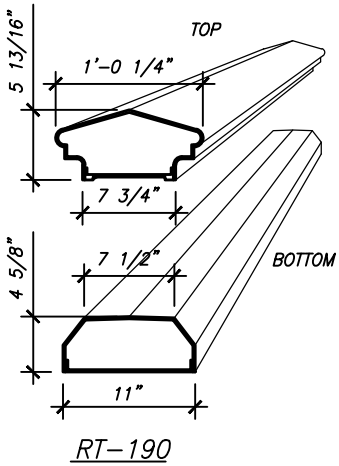
2020

RAILS



ARCHITECTURAL FIBERGLASS, INC.

8300 BESSEMER AVE., CLEVELAND, OHIO 44127-1839  
 (216) 641-8300 - FAX:(216) 641-8150  
 www.fiberglass-afi.com



NOTES:

\* ALL RAIL LENGTHS ARE ADJUSTABLE (MAX 12' SECTIONS)

\* NOT ALL BALUSTERS, RAIL, AND NEWEL POSTS ARE COMPATIBLE WITH ONE ANOTHER

BALUSTRADES

SHEET NO.

R-02

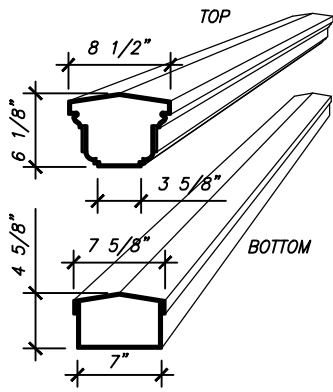
2020

RAILS



ARCHITECTURAL FIBERGLASS, INC.

8300 BESSEMER AVE., CLEVELAND, OHIO 44127-1839  
 (216) 641-8300 - FAX:(216) 641-8150  
 www.fiberglass-afi.com



RT-270

NOTES:

\* ALL RAIL LENGTHS ARE ADJUSTABLE  
(MAX 12' SECTIONS)

\* NOT ALL BALUSTERS, RAIL, AND  
NEWEL POSTS ARE COMPATIBLE WITH  
ONE ANOTHER

BALUSTRADES

SHEET NO.

**R-03**

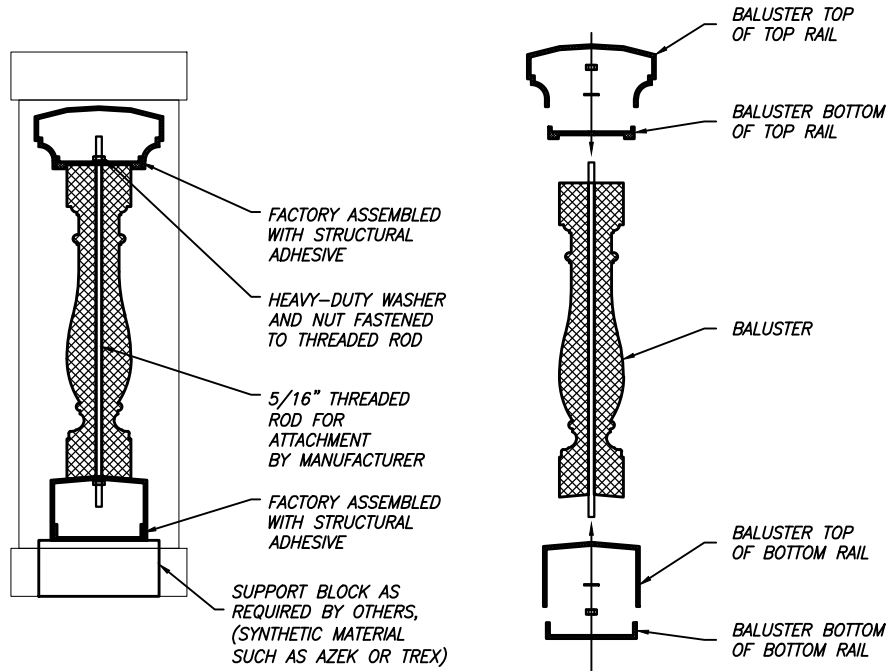
2020

RAILS

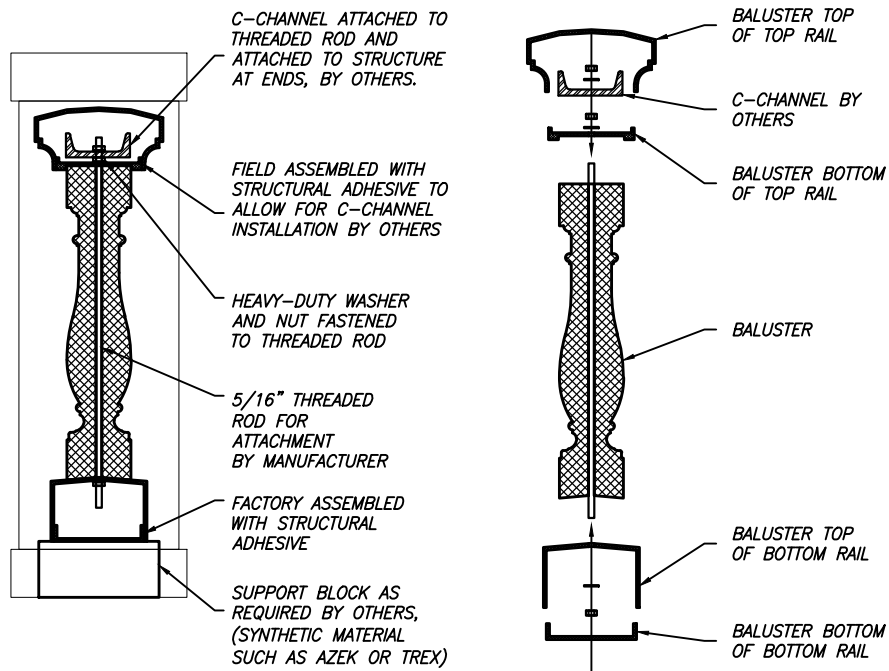


**ARCHITECTURAL FIBERGLASS, INC.**

8300 BESSEMER AVE., CLEVELAND, OHIO 44127-1839  
(216) 641-8300 - FAX:(216) 641-8150  
www.fiberglass-afi.com



BALUSTRADE INSTALLATION - OPTION 1



NOTE: C-CHANNEL COULD ALSO BE ADDED TO BOTTOM RAIL. C-CHANNEL MAY BE REQUIRED FOR RAIL LENGTHS LONGER THEN 12'

BALUSTRADE INSTALLATION - OPTION 2 (WITH C-CHANNEL)

BALUSTRADES

SHEET NO.

SD-01

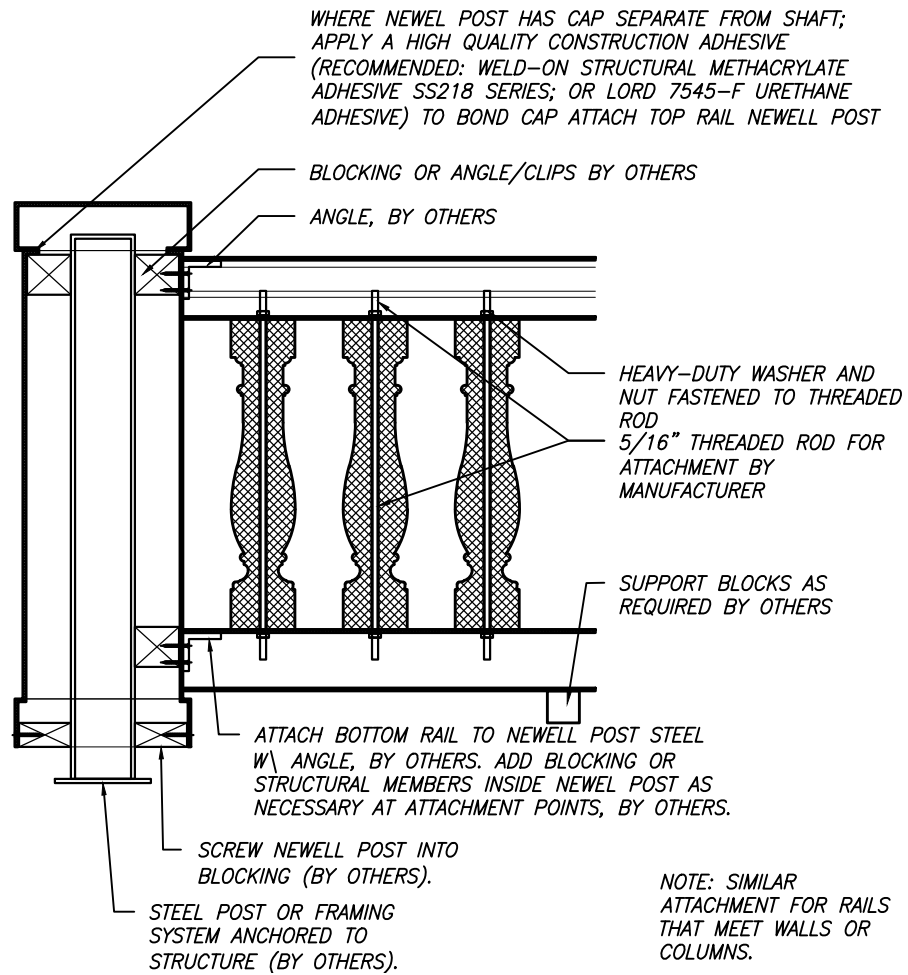
2020

INSTALLATION



**ARCHITECTURAL FIBERGLASS, INC.**

8300 BESSEMER AVE., CLEVELAND, OHIO 44127-1839  
 (216) 641-8300 - FAX:(216) 641-8150  
 www.fiberglass-afi.com



RAIL INSTALLATION - OPTION 1

BALUSTRADES

SHEET NO.

SD-02

2020

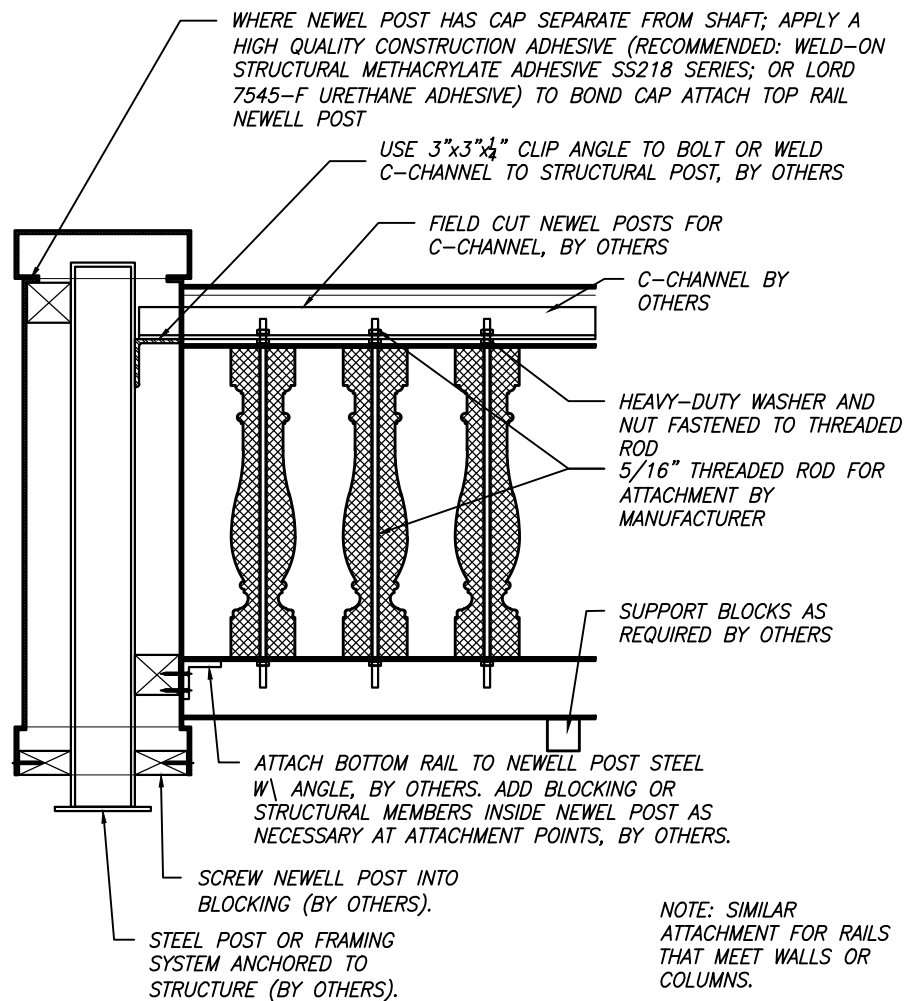
INSTALLATION



**ARCHITECTURAL FIBERGLASS, INC.**

8300 BESSEMER AVE., CLEVELAND, OHIO 44127-1839  
 (216) 641-8300 - FAX:(216) 641-8150  
 www.fiberglass-afi.com





RAIL INSTALLATION - OPTION 2 (WITH C-CHANNEL)

BALUSTRADES

SHEET NO.

SD-03

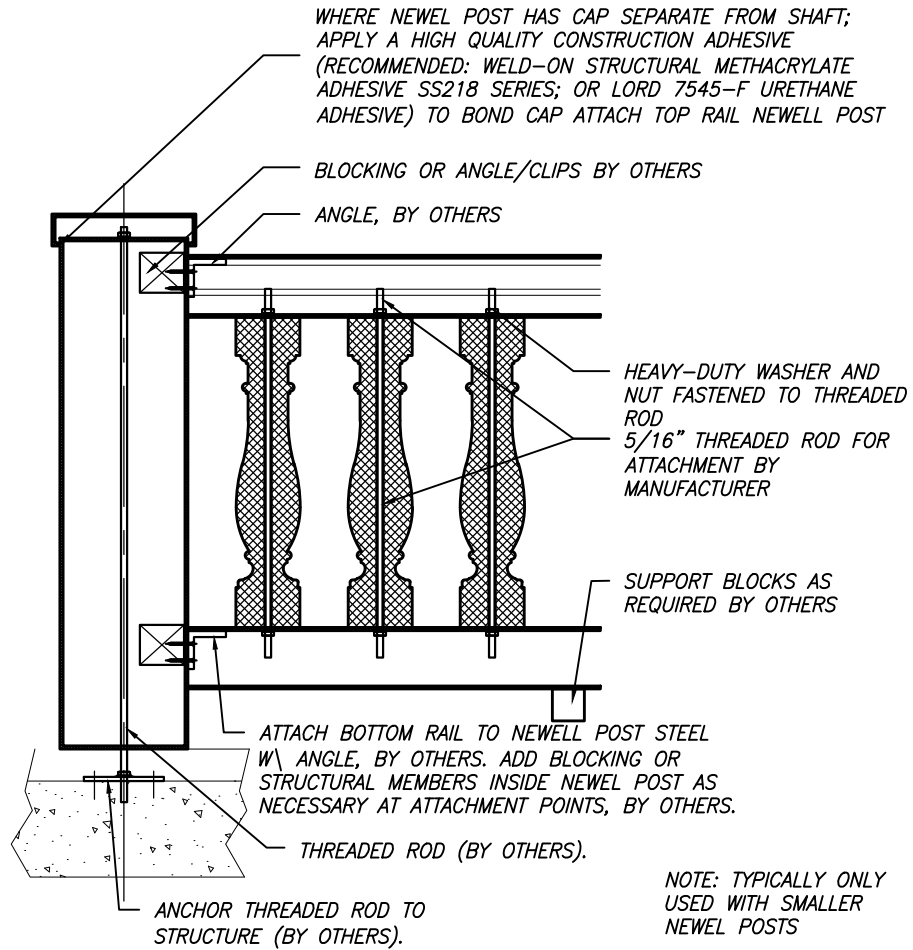
2020

INSTALLATION



**ARCHITECTURAL FIBERGLASS, INC.**

8300 BESSEMER AVE., CLEVELAND, OHIO 44127-1839  
 (216) 641-8300 - FAX:(216) 641-8150  
 www.fiberglass-afi.com



ALTERNATE NEWEL POST CONNECTION (DECORATIVE / NON-STRUCTURAL)

BALUSTRADES

SHEET NO.

SD-04

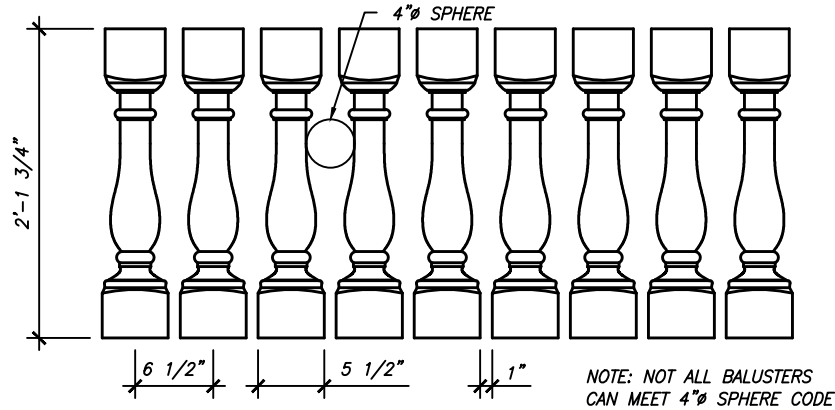
2020

INSTALLATION

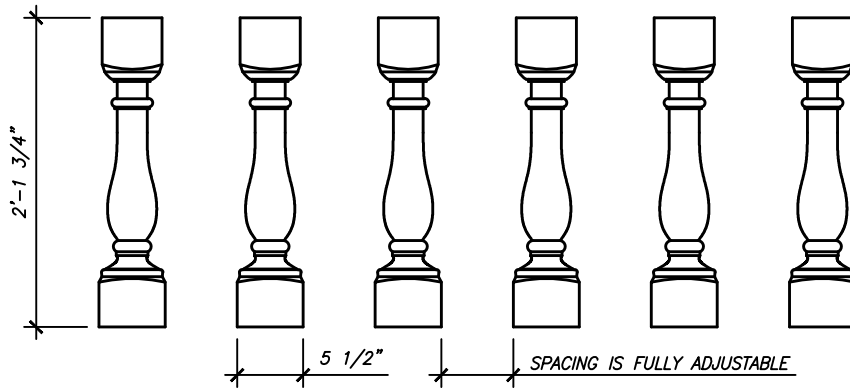


*ARCHITECTURAL FIBERGLASS, INC.*

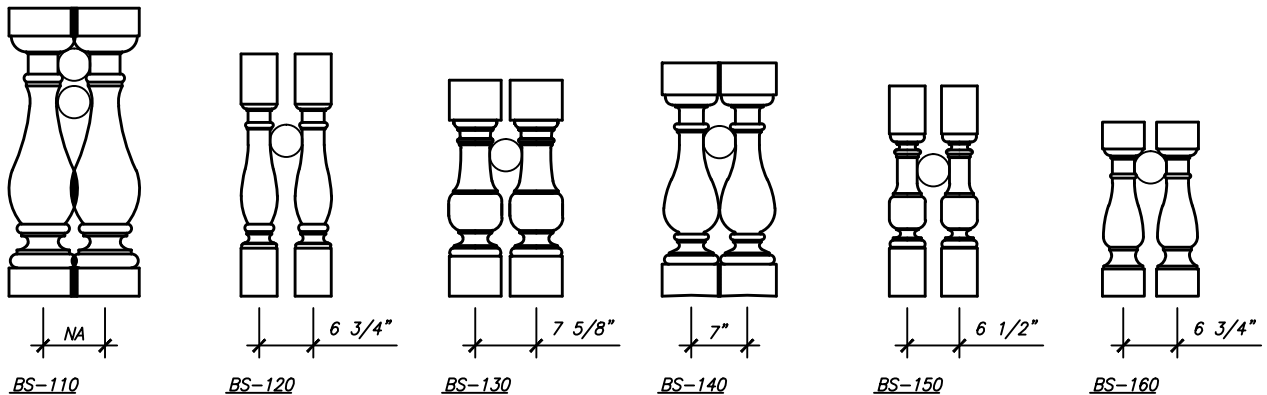
8300 BESSEMER AVE., CLEVELAND, OHIO 44127-1839  
 (216) 641-8300 - FAX:(216) 641-8150  
 www.fiberglass-afi.com



OPTION 1 -  $4" \varnothing$  SPHERE CODE SPACING



OPTION 2 - SPACING NOT TO CODE



BALUSTRADES

SHEET NO.

**SD-05**

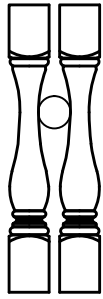
2020

INSTALLATION



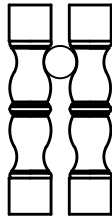
**ARCHITECTURAL FIBERGLASS, INC.**

8300 BESSEMER AVE., CLEVELAND, OHIO 44127-1839  
 (216) 641-8300 - FAX:(216) 641-8150  
 www.fiberglass-afi.com



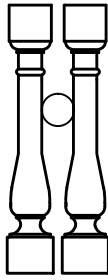
6 5/16"

BS-170



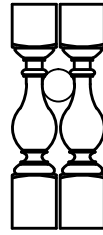
7 1/2"

BS-180



6 7/8"

BS-190



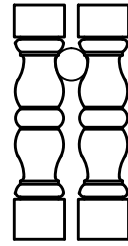
6"

BS-200



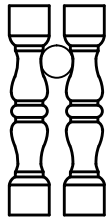
7"

BS-210



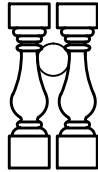
8"

BS-220



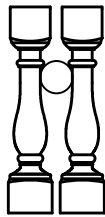
6 7/8"

BS-230



6"

BS-240



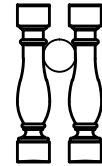
6 1/2"

BS-250



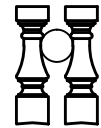
6 5/8"

BS-260



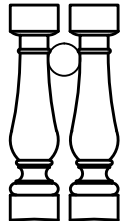
6 1/2"

BS-270



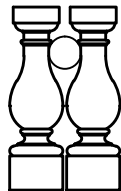
6 1/8"

BS-280



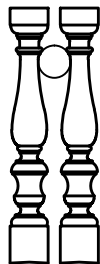
7 1/2"

BS-290



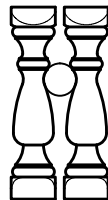
7 1/8"

BS-300



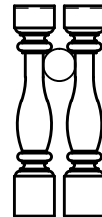
6 1/4"

BS-310



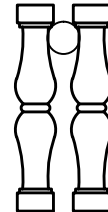
6 5/8"

BS-320



6 1/4"

BS-330



7"

BS-340

BALUSTRADES

SHEET NO.

SD-06

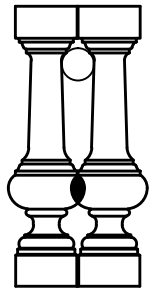
2020

INSTALLATION



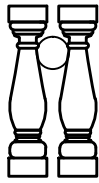
ARCHITECTURAL FIBERGLASS, INC.

8300 BESSEMER AVE., CLEVELAND, OHIO 44127-1839  
(216) 641-8300 - FAX:(216) 641-8150  
www.fiberglass-afi.com



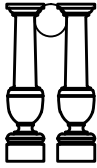
NA

BS-350



6 1/4"

BS-360



6 3/8"

BS-370



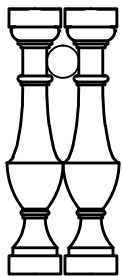
6"

BS-380



5 3/4"

BS-390



7"

BS-390

BALUSTRADES

SHEET NO.

**SD-07**

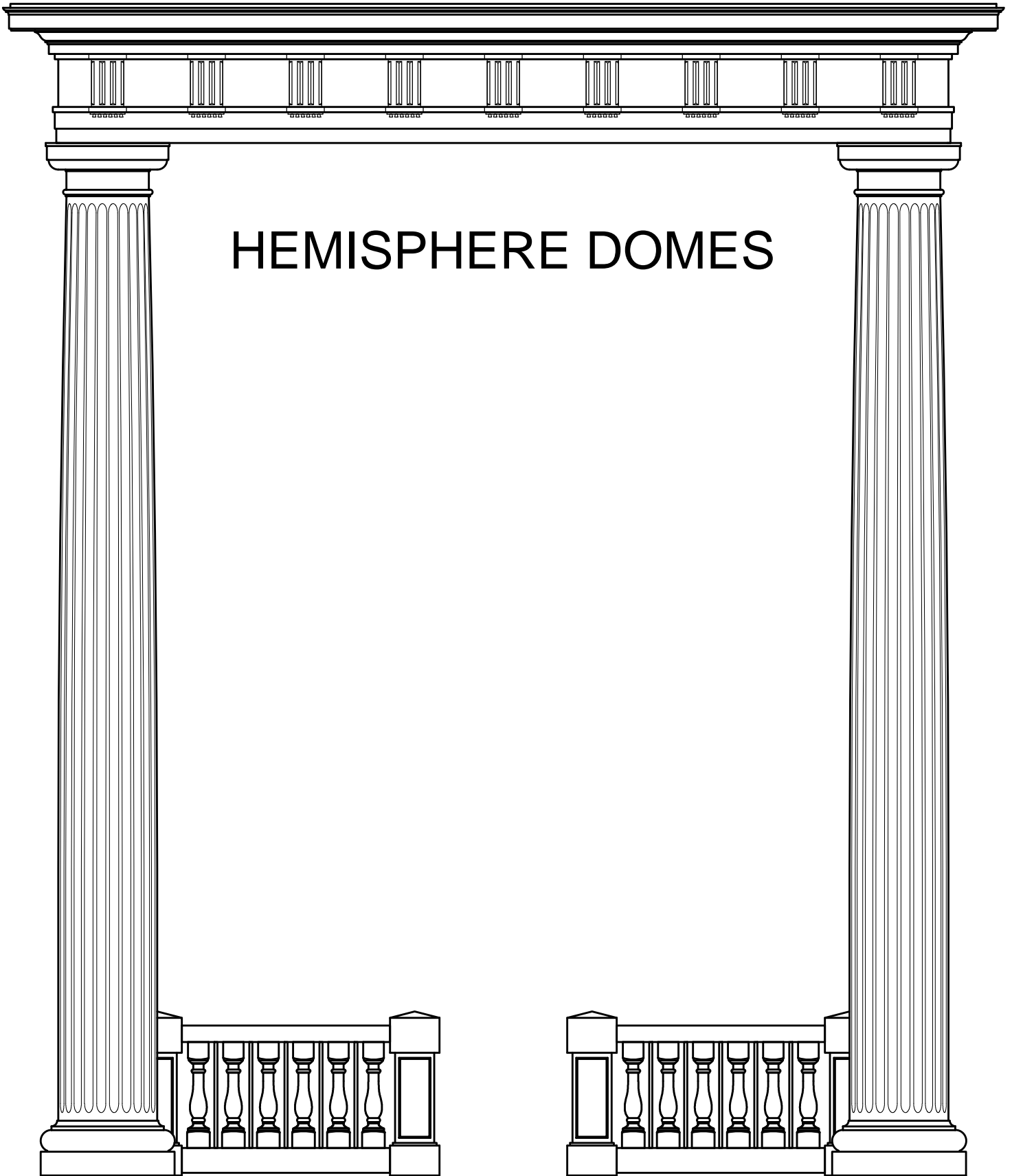
2020

INSTALLATION



**ARCHITECTURAL FIBERGLASS, INC.**

8300 BESSEMER AVE., CLEVELAND, OHIO 44127-1839  
(216) 641-8300 - FAX:(216) 641-8150  
www.fiberglass-afi.com



# HEMISPHERE DOMES

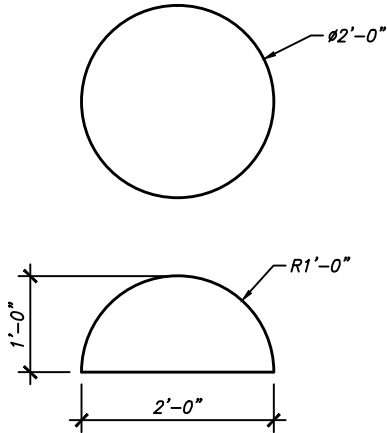


**ARCHITECTURAL FIBERGLASS, INC.**

8300 Bessemer Ave. \* Cleveland, OH 44127-1839 \* 216-641-8300 \* Fax 216-641-8150 \* [www.fiberglass-afi.com](http://www.fiberglass-afi.com)

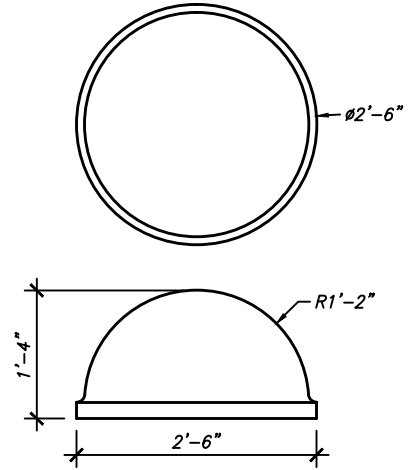
A-219

HEIGHT: 1'-0"  
WIDTH: 2'-0"



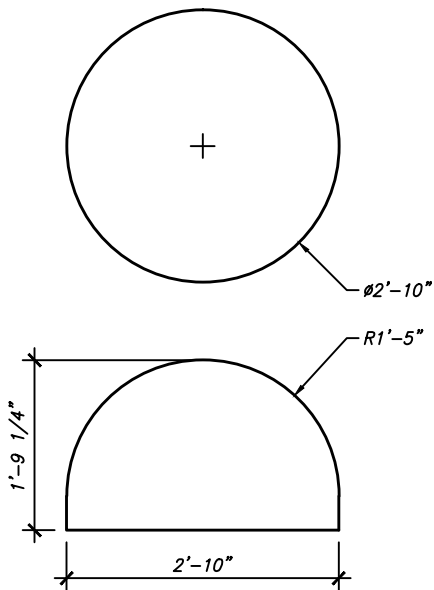
A-260

HEIGHT: 1'-4"  
WIDTH: 2'-6"



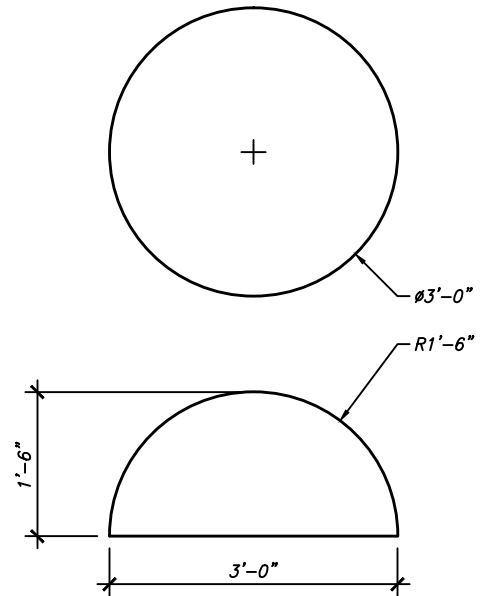
A-142

HEIGHT: 1'-9 1/4"  
WIDTH: 2'-10"



A-167

HEIGHT: 1'-6"  
WIDTH: 3'-0"



HEMI DOMES

SHEET NO.

A-01

2020

HEMISPHERE DOMES

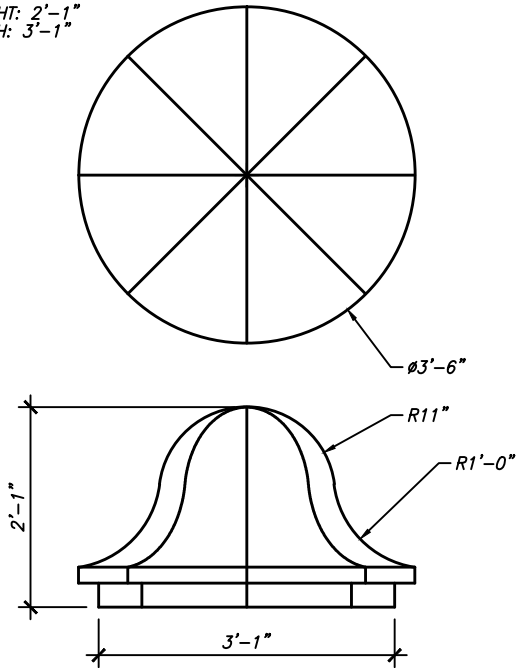


ARCHITECTURAL FIBERGLASS, INC.

8300 BESSEMER AVE., CLEVELAND, OHIO 44127-1839  
(216) 641-8300 - FAX:(216) 641-8150  
www.fiberglass-afi.com

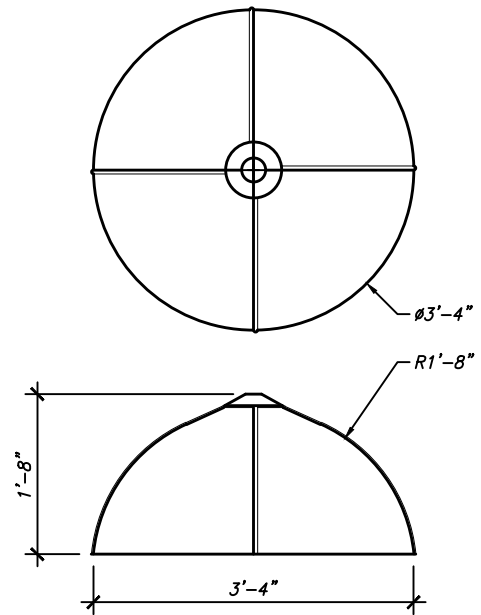
A-200

HEIGHT: 2'-1"  
WIDTH: 3'-1"



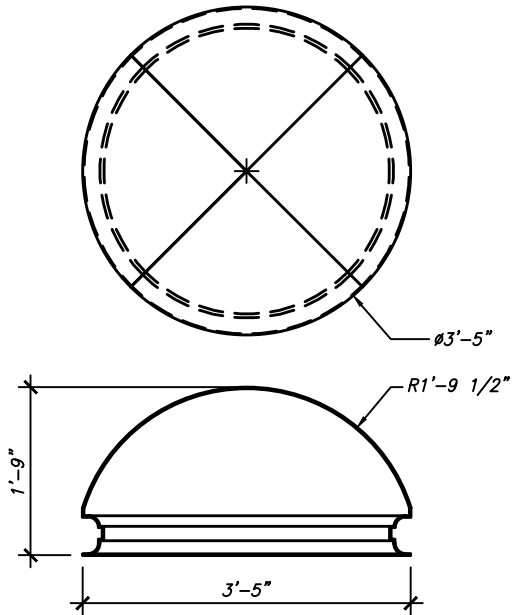
A-124

HEIGHT: 1'-8"  
WIDTH: 3'-4"



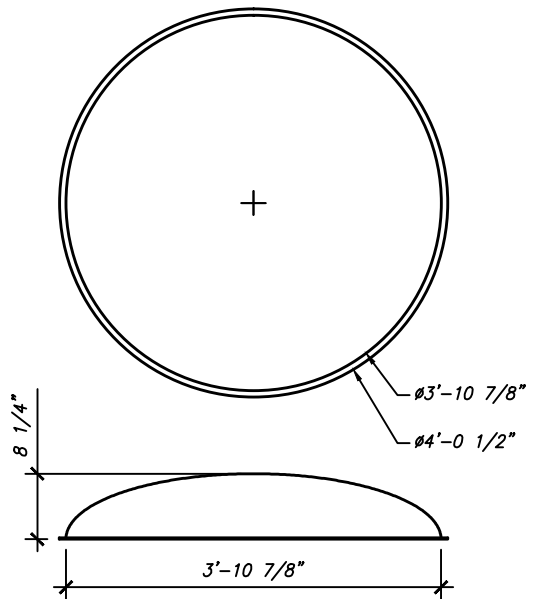
A-143

HEIGHT: 1'-9"  
WIDTH: 3'-5"



A-206

HEIGHT: 8 1/4"  
WIDTH: 3'-10 7/8"



HEMI DOMES

SHEET NO.

A-02

2020

HEMISPHERE DOMES



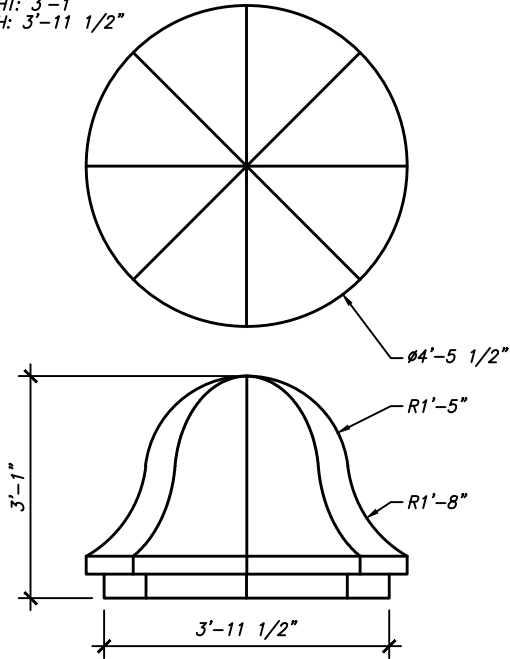
ARCHITECTURAL FIBERGLASS, INC.

8300 BESSEMER AVE., CLEVELAND, OHIO 44127-1839  
(216) 641-8300 - FAX:(216) 641-8150  
www.fiberglass-afi.com



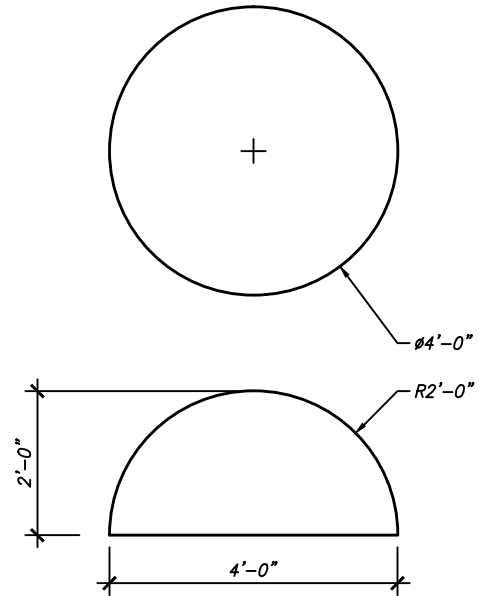
A-201

HEIGHT: 3'-1"  
WIDTH: 3'-11 1/2"



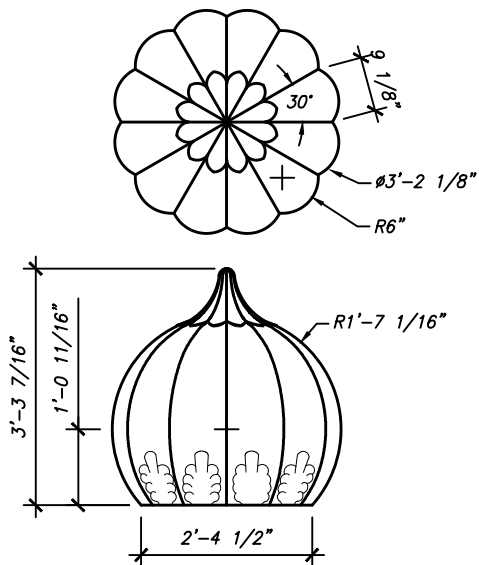
A-140

HEIGHT: 2'-0"  
WIDTH: 4'-0"



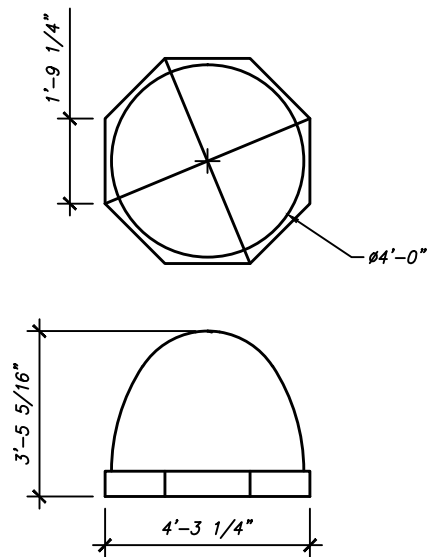
A-261

HEIGHT: 3'-3 7/16"  
WIDTH: 2'-4 1/2"



A-189

HEIGHT: 3'-5 5/16"  
WIDTH: 4'-3 1/4"



HEMI DOMES

SHEET NO.

A-03

2020

HEMISPHERE DOMES

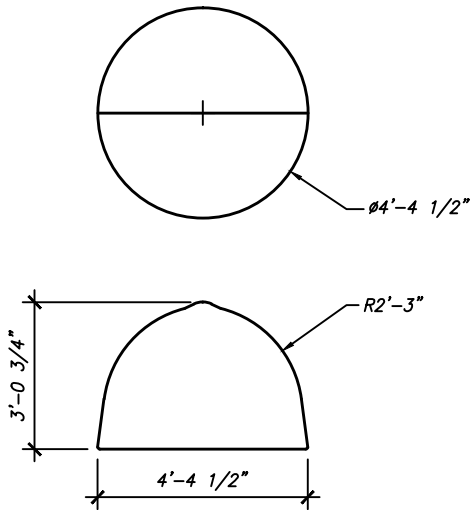


ARCHITECTURAL FIBERGLASS, INC.

8300 BESSEMER AVE., CLEVELAND, OHIO 44127-1839  
(216) 641-8300 - FAX:(216) 641-8150  
www.fiberglass-afi.com

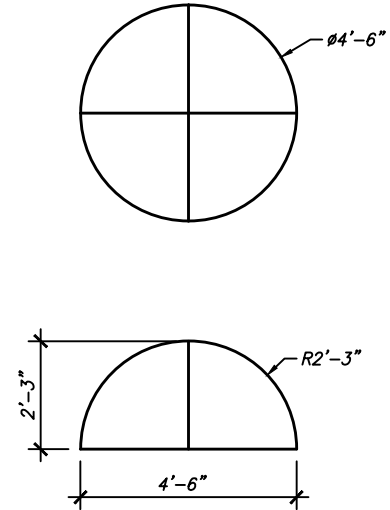
A-144

HEIGHT: 3'-0 3/4"  
WIDTH: 4'-4 1/2"



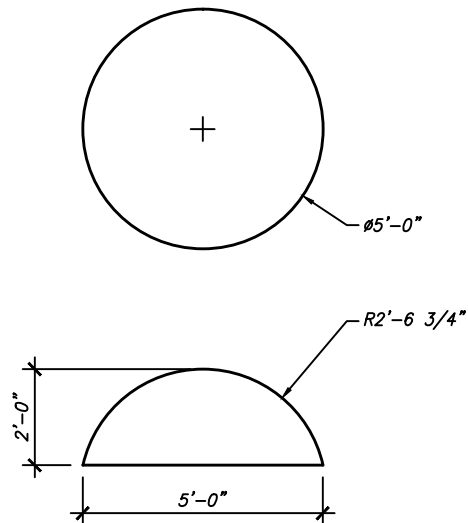
A-262

HEIGHT: 2'-3"  
WIDTH: 4'-6"



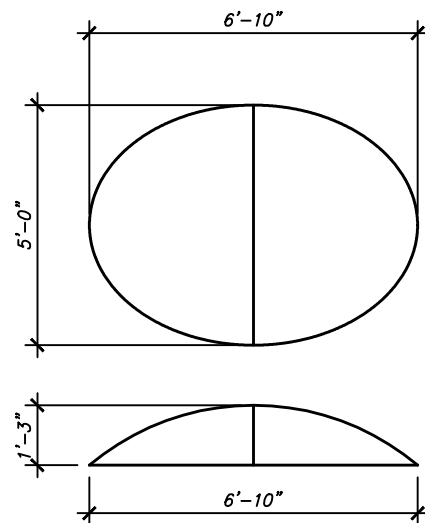
A-164

HEIGHT: 2'-0"  
WIDTH: 5'-0"



A-241

HEIGHT: 1'-3"  
WIDTH: 5'-0" x 6'-10"



HEMI DOMES

SHEET NO.

A-04

2020

HEMISPHERE DOMES

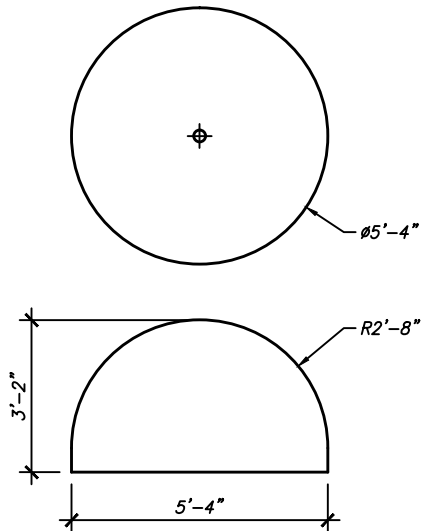


ARCHITECTURAL FIBERGLASS, INC.

8300 BESSEMER AVE., CLEVELAND, OHIO 44127-1839  
(216) 641-8300 - FAX:(216) 641-8150  
www.fiberglass-afi.com

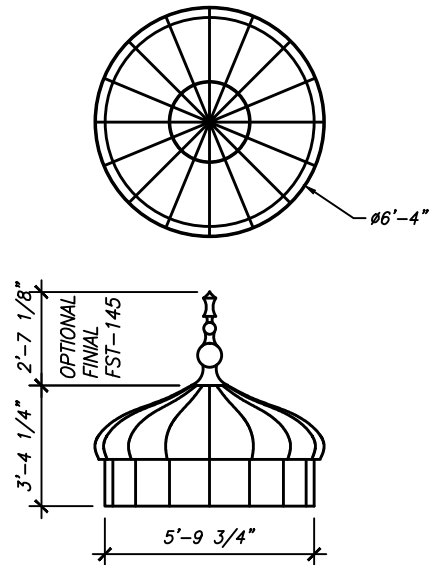
A-101

HEIGHT: 3'-2"  
WIDTH: 5'-4"



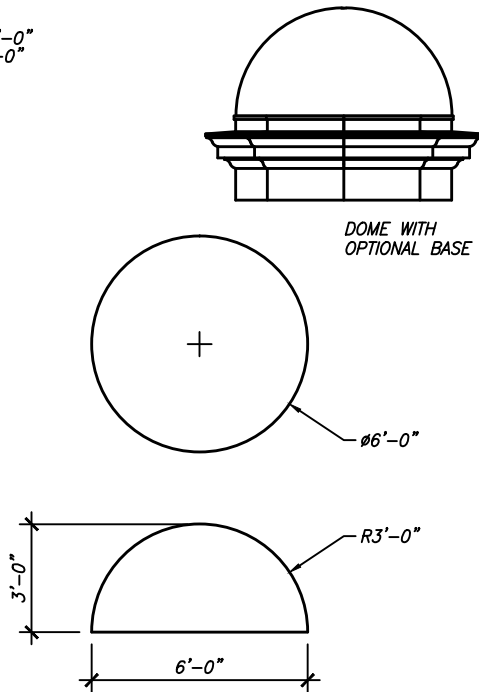
A-138

HEIGHT: 3'-4 1/4"  
WIDTH: 5'-9 3/4"



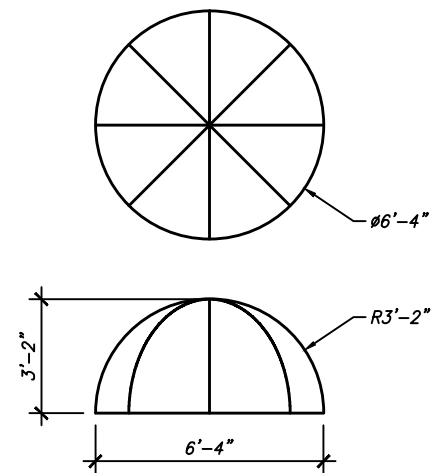
A-130

HEIGHT: 3'-0"  
WIDTH: 6'-0"



A-139

HEIGHT: 3'-2"  
WIDTH: 6'-4"



HEMI DOMES

SHEET NO.

A-05

2020

HEMISPHERE DOMES

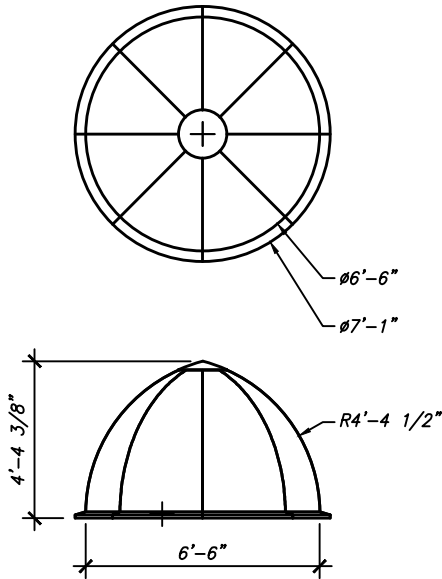


ARCHITECTURAL FIBERGLASS, INC.

8300 BESSEMER AVE., CLEVELAND, OHIO 44127-1839  
(216) 641-8300 - FAX:(216) 641-8150  
www.fiberglass-afi.com

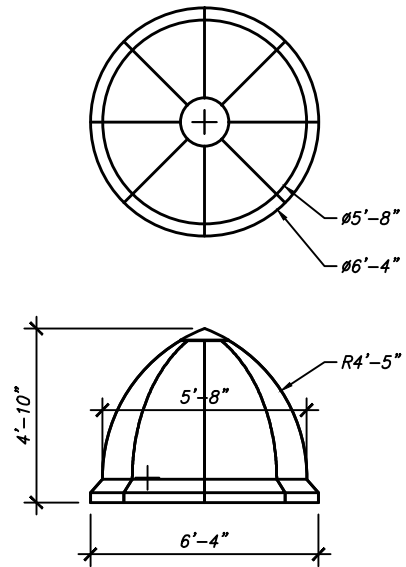
A-255

HEIGHT: 4'-4 3/8"  
WIDTH: 6'-6"



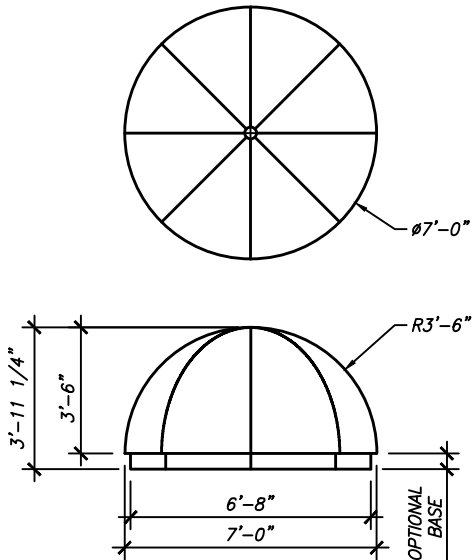
A-256

HEIGHT: 4'-11 1/4"  
WIDTH: 6'-4"



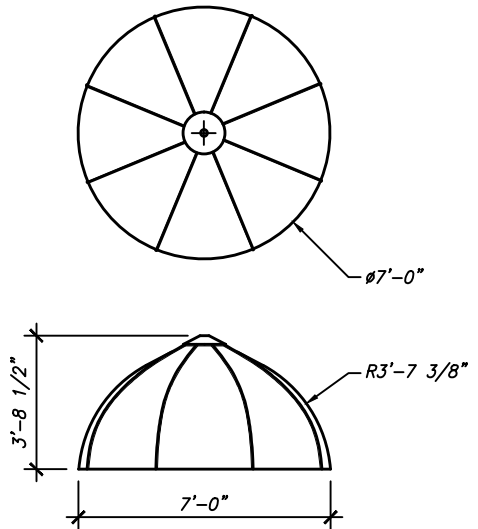
A-174

HEIGHT: 3'-11 1/4"  
WIDTH: 6'-8"



A-103

HEIGHT: 3'-8 1/2"  
WIDTH: 7'-0"



HEMI DOMES

SHEET NO.

A-06

2020

HEMISPHERE DOMES

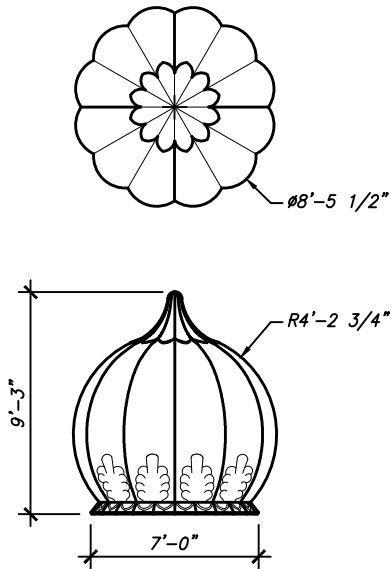


ARCHITECTURAL FIBERGLASS, INC.

8300 BESSEMER AVE., CLEVELAND, OHIO 44127-1839  
(216) 641-8300 - FAX:(216) 641-8150  
www.fiberglass-afi.com

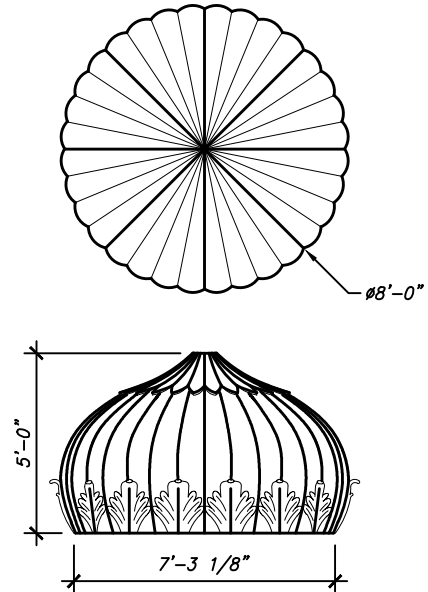
A-134

HEIGHT: 9'-3"  
WIDTH: 7'-0"



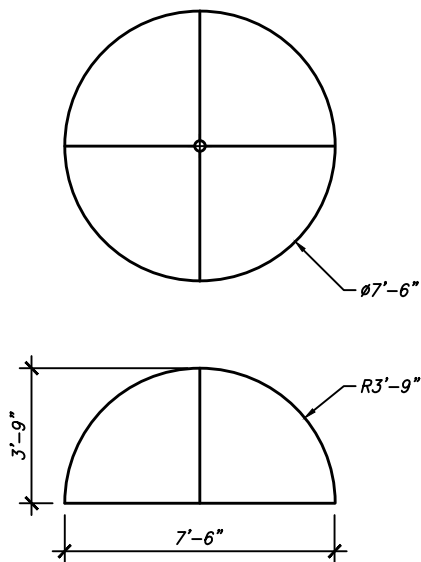
A-136

HEIGHT: 5'-0"  
WIDTH: 7'-3  $\frac{1}{8}"$



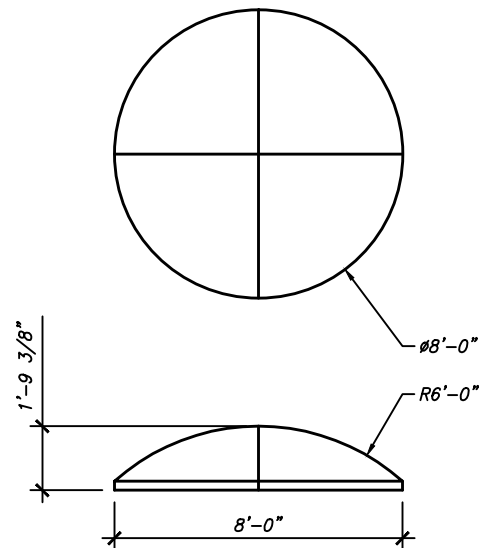
A-106

HEIGHT: 3'-9"  
WIDTH: 7'-6"



A-244

HEIGHT: 1'-9  $\frac{3}{8}"$   
WIDTH: 8'-0"



HEMI DOMES

SHEET NO.

A-07

2020

HEMISPHERE DOMES

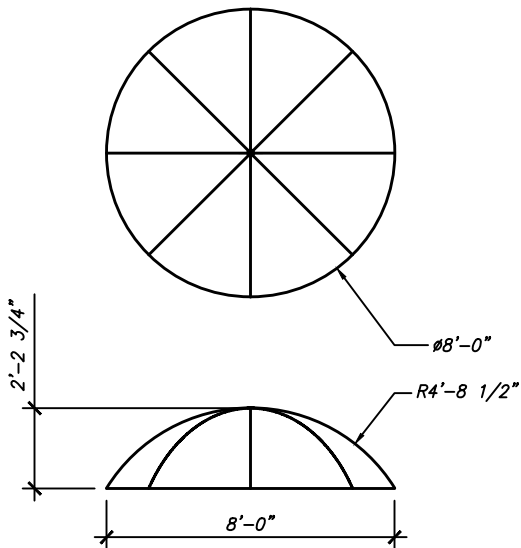


ARCHITECTURAL FIBERGLASS, INC.

8300 BESSEMER AVE., CLEVELAND, OHIO 44127-1839  
(216) 641-8300 - FAX:(216) 641-8150  
www.fiberglass-afi.com

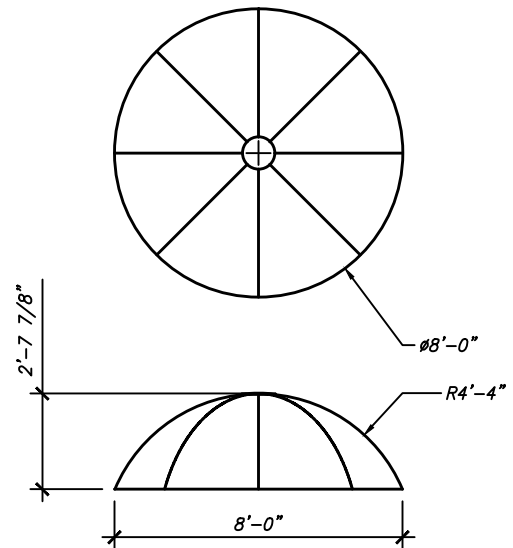
A-121

HEIGHT: 2'-2 3/4"  
WIDTH: 8'-0"



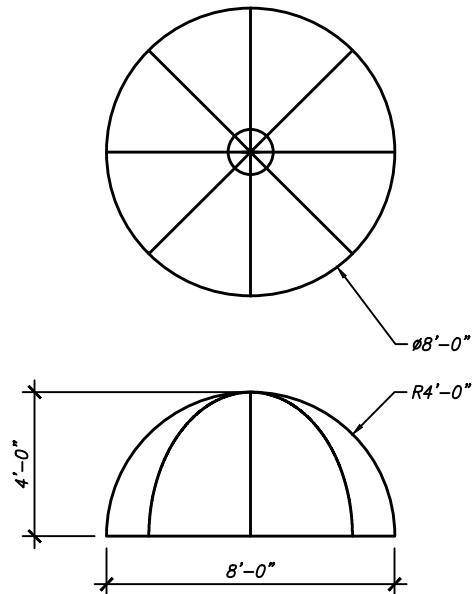
A-129

HEIGHT: 2'-7 7/8"  
WIDTH: 8'-0"



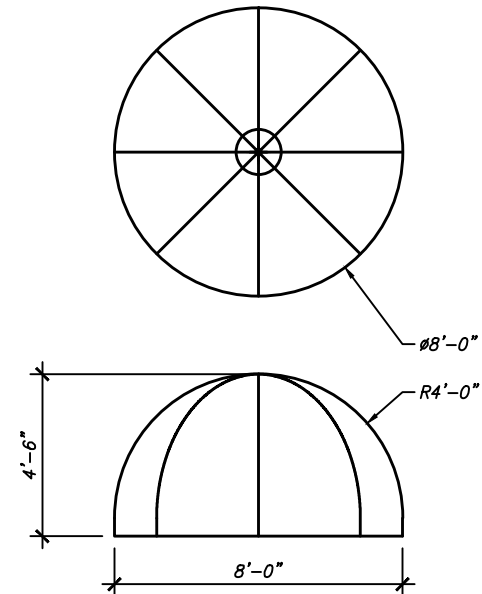
A-169

HEIGHT: 4'-0"  
WIDTH: 8'-0"



A-153

HEIGHT: 4'-6"  
WIDTH: 8'-0"



HEMI DOMES

SHEET NO.

A-08

2020

HEMISPHERE DOMES

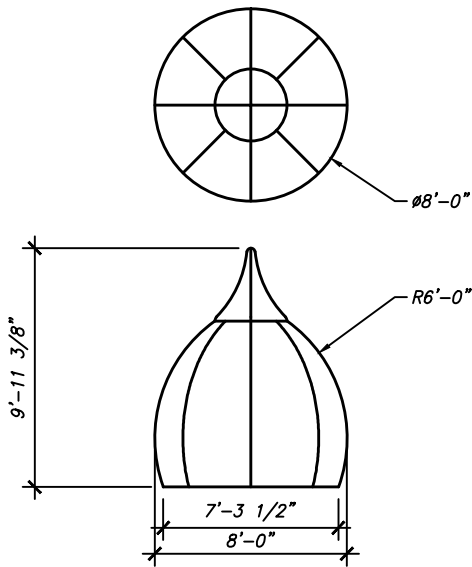


ARCHITECTURAL FIBERGLASS, INC.

8300 BESSEMER AVE., CLEVELAND, OHIO 44127-1839  
(216) 641-8300 - FAX:(216) 641-8150  
www.fiberglass-afi.com

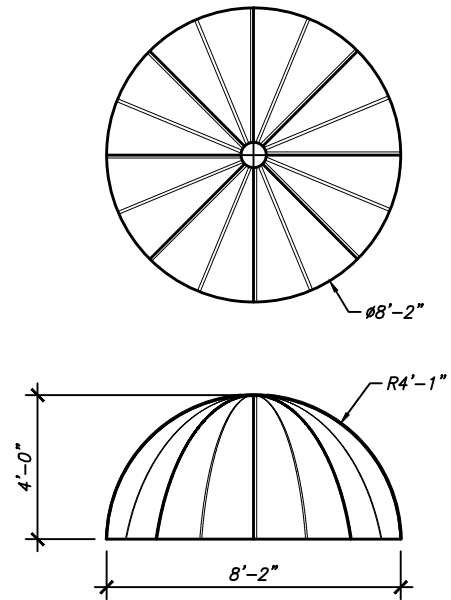
A-250

HEIGHT: 9'-11 3/8"  
WIDTH: 8'-0"



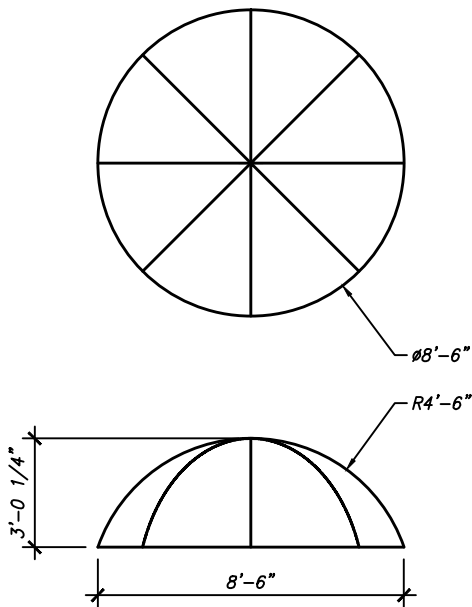
A-131

HEIGHT: 2'-10 1/2"  
WIDTH: 8'-2"



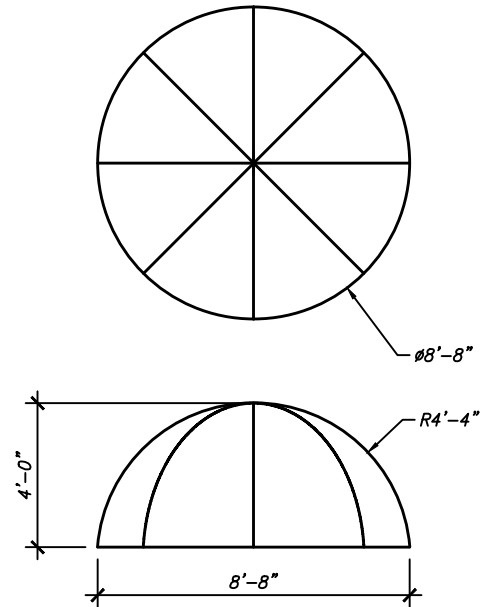
A-210

HEIGHT: 3'-0 1/4"  
WIDTH: 8'-6"



A-114

HEIGHT: 4'-4"  
WIDTH: 8'-8"



HEMI DOMES

SHEET NO.

A-09

2020

HEMISPHERE DOMES

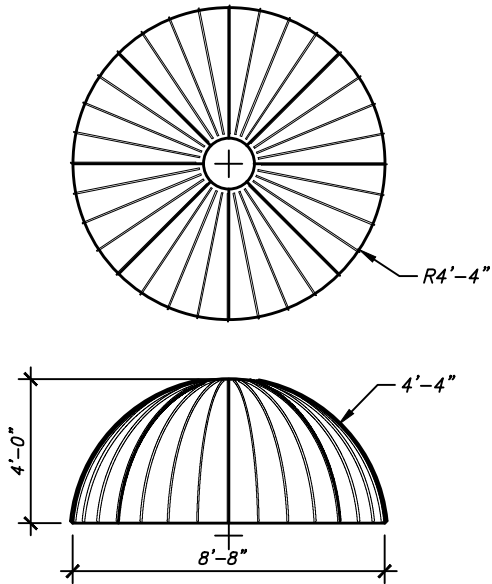


ARCHITECTURAL FIBERGLASS, INC.

8300 BESSEMER AVE., CLEVELAND, OHIO 44127-1839  
(216) 641-8300 - FAX:(216) 641-8150  
www.fiberglass-afi.com

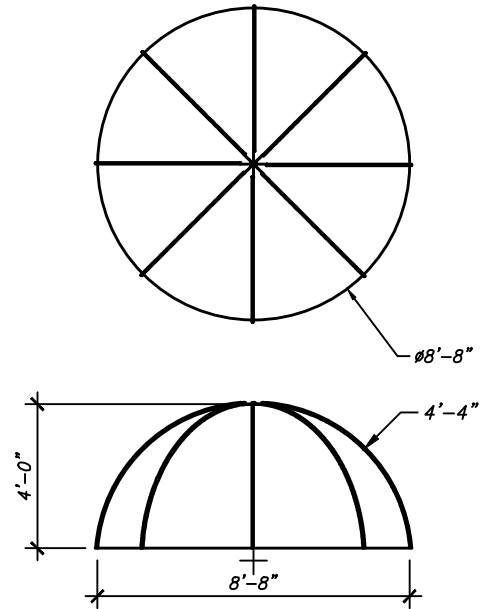
A-264

HEIGHT: 4'-4"  
WIDTH: 8'-8"



A-194

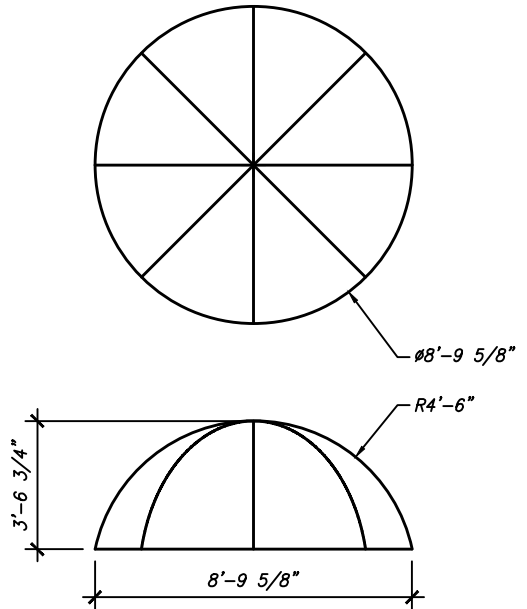
HEIGHT: 4'-0"  
WIDTH: 8'-8"



INTENTIONALLY LEFT BLANK

A-160

HEIGHT: 3'-6 3/4"  
WIDTH: 8'-9 5/8"



HEMI DOMES

SHEET NO.

A-10

2020

HEMISPHERE DOMES



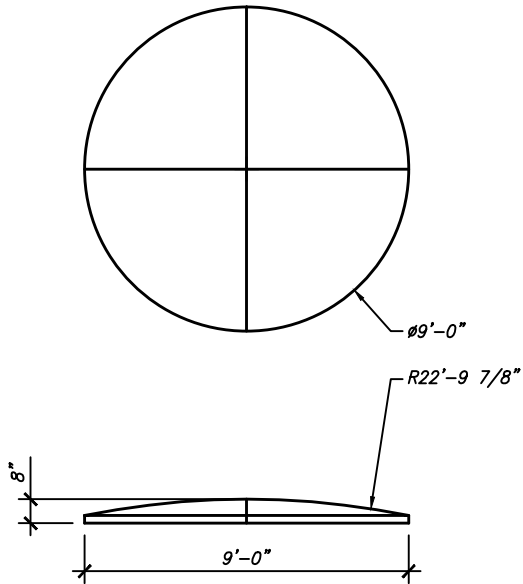
ARCHITECTURAL FIBERGLASS, INC.

8300 BESSEMER AVE., CLEVELAND, OHIO 44127-1839  
(216) 641-8300 - FAX:(216) 641-8150  
www.fiberglass-afi.com



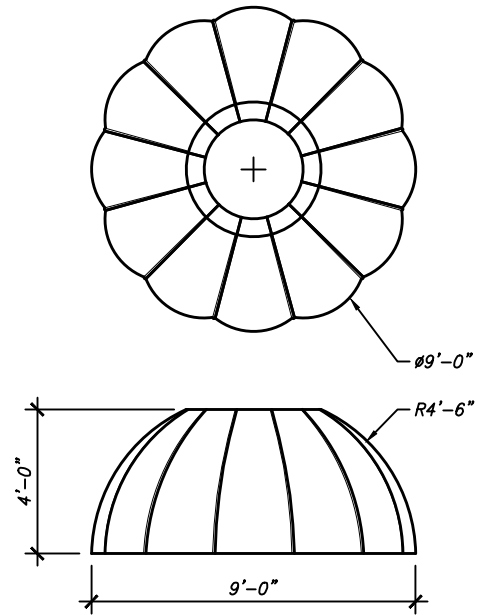
A-220

HEIGHT: 8"  
WIDTH: 9'-0"



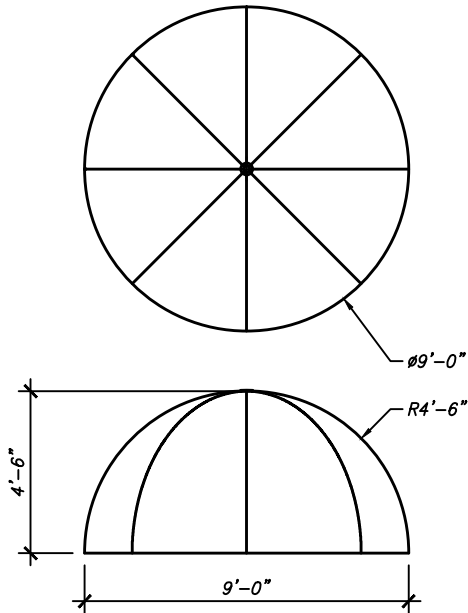
A-132

HEIGHT: 4'-0"  
WIDTH: 9'-0"



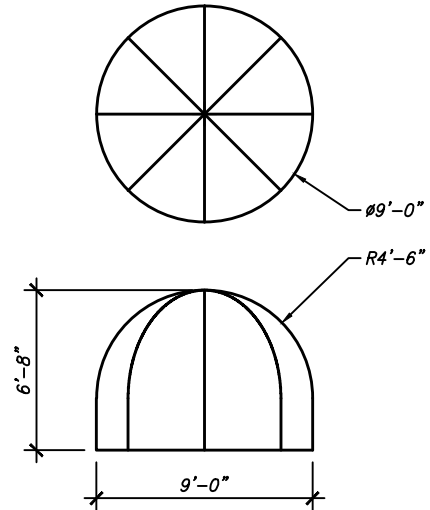
A-119

HEIGHT: 4'-6"  
WIDTH: 9'-0"



A-193

HEIGHT: 6'-8"  
WIDTH: 9'-0"



HEMI DOMES

SHEET NO.

A-11

2020

HEMISPHERE DOMES

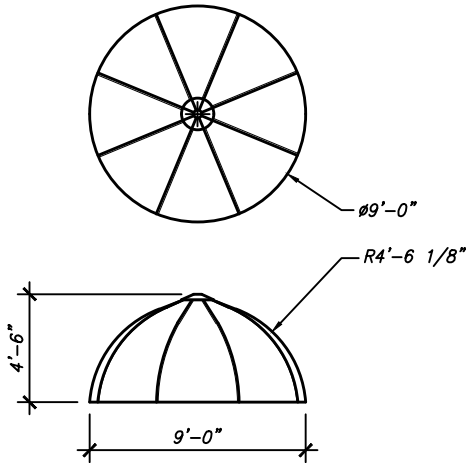


ARCHITECTURAL FIBERGLASS, INC.

8300 BESSEMER AVE., CLEVELAND, OHIO 44127-1839  
(216) 641-8300 - FAX:(216) 641-8150  
www.fiberglass-afi.com

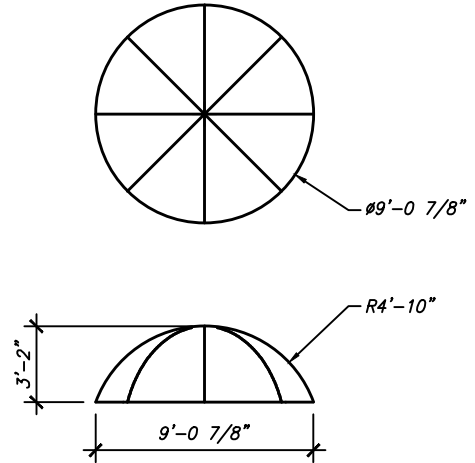
A-123

HEIGHT: 4'-6"  
WIDTH: 9'-0"



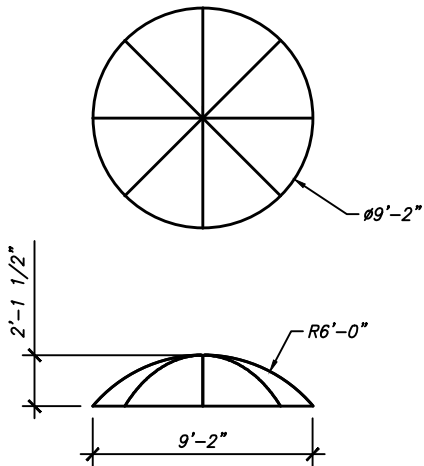
A-207

HEIGHT: 3'-2"  
WIDTH: 9'-0 7/8"



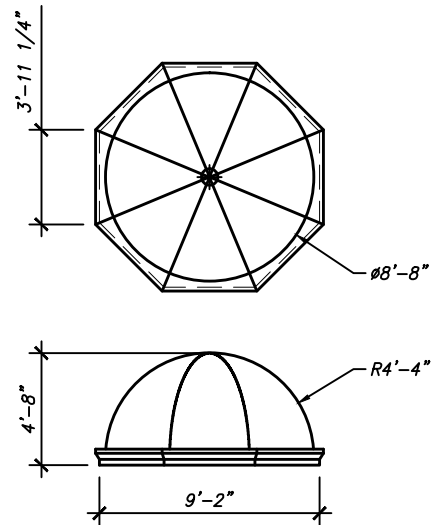
A-218

HEIGHT: 2'-1 1/2"  
WIDTH: 9'-2"



A-109

HEIGHT: 4'-8"  
WIDTH: 9'-2"



HEMI DOMES

SHEET NO.

A-12

2020

HEMISPHERE DOMES

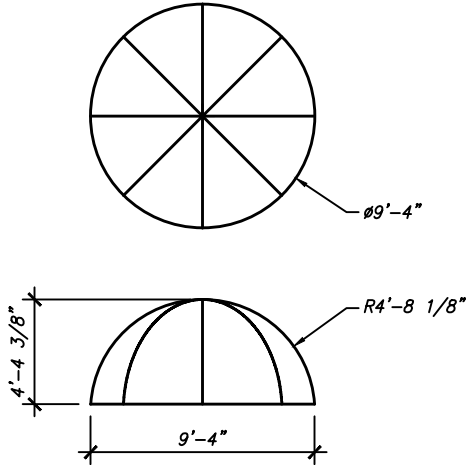


ARCHITECTURAL FIBERGLASS, INC.

8300 BESSEMER AVE., CLEVELAND, OHIO 44127-1839  
(216) 641-8300 - FAX:(216) 641-8150  
www.fiberglass-afi.com

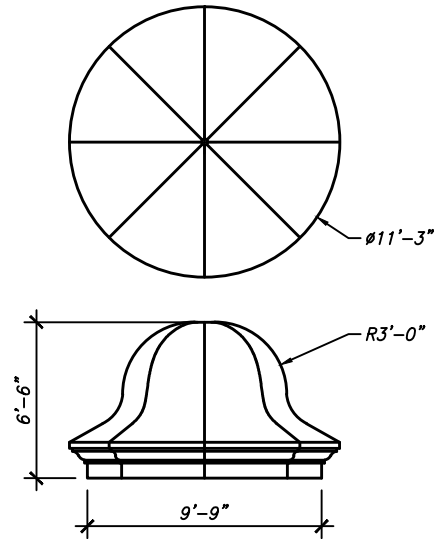
A-205

HEIGHT: 4'-4 3/8"  
WIDTH: 9'-4"



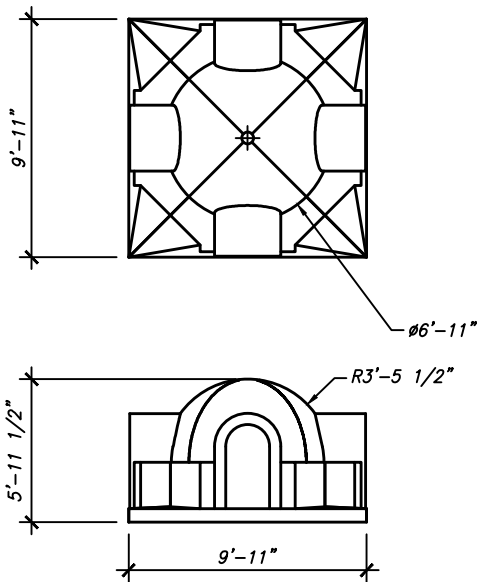
A-156

HEIGHT: 6'-6"  
WIDTH: 9'-9"



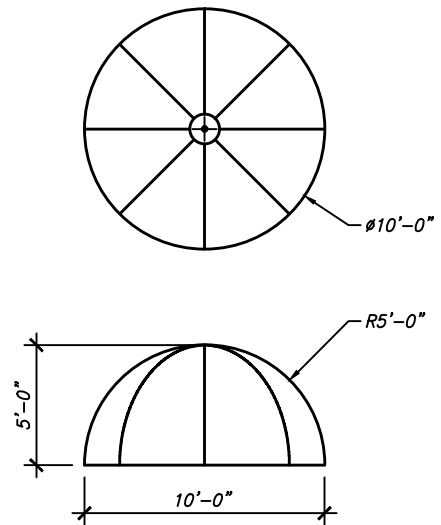
A-232

HEIGHT: 5'-11 1/2"  
WIDTH: 9'-11"



A-125

HEIGHT: 5'-0"  
WIDTH: 10'-0"



HEMI DOMES

SHEET NO.

A-13

2020

HEMISPHERE DOMES

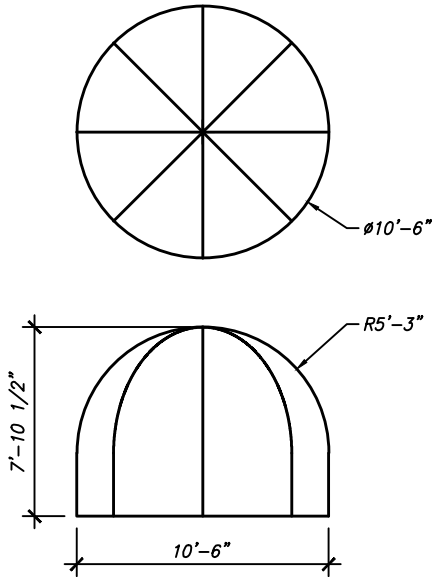


ARCHITECTURAL FIBERGLASS, INC.

8300 BESSEMER AVE., CLEVELAND, OHIO 44127-1839  
(216) 641-8300 - FAX:(216) 641-8150  
www.fiberglass-afi.com

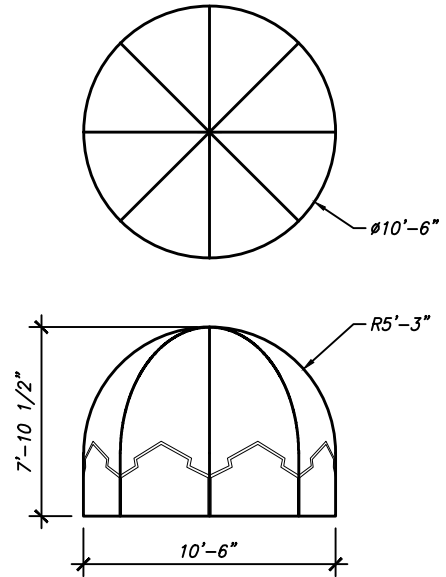
A-158

HEIGHT: 7'-10 1/2"  
WIDTH: 10'-6"



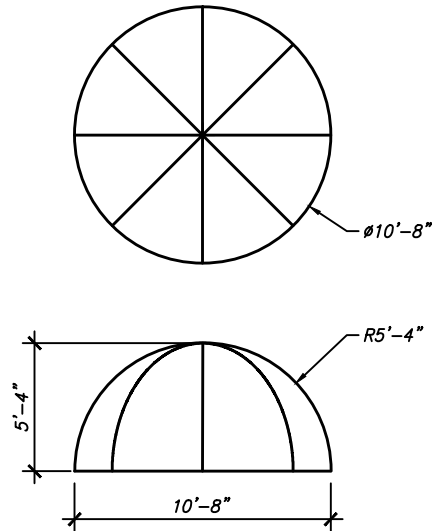
A-159

HEIGHT: 7'-10 1/2"  
WIDTH: 10'-6"



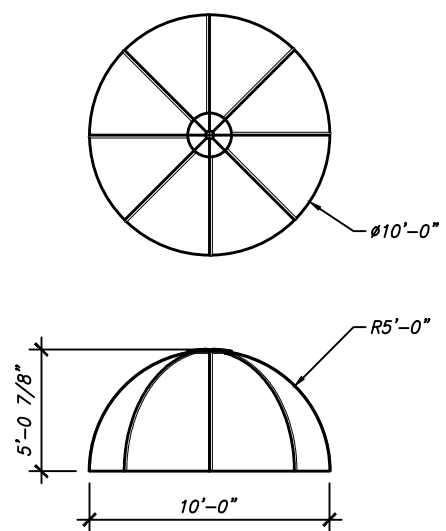
A-178

HEIGHT: 5'-4"  
WIDTH: 10'-8"



A-179

HEIGHT: 5'-0 7/8"  
WIDTH: 10'-0"



HEMI DOMES

SHEET NO.

A-14

2020

HEMISPHERE DOMES

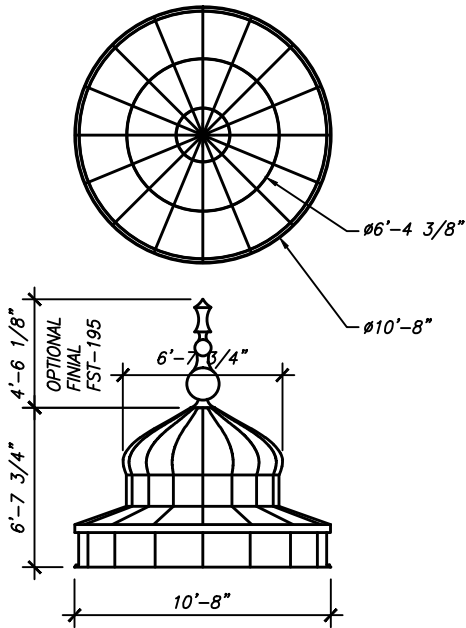


ARCHITECTURAL FIBERGLASS, INC.

8300 BESSEMER AVE., CLEVELAND, OHIO 44127-1839  
(216) 641-8300 - FAX:(216) 641-8150  
www.fiberglass-afi.com

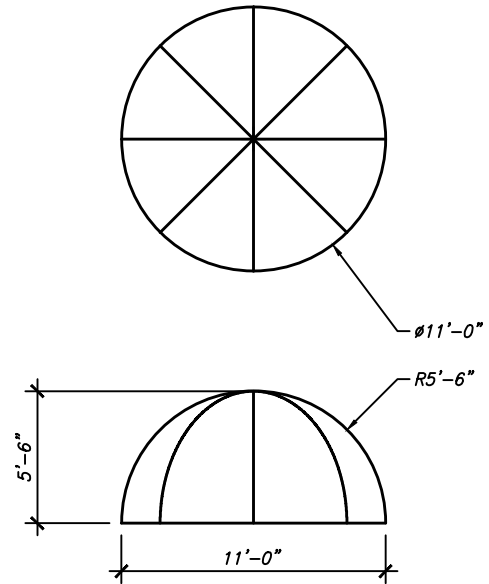
A-137

HEIGHT: 6'-7 3/4"  
WIDTH: 10'-8"



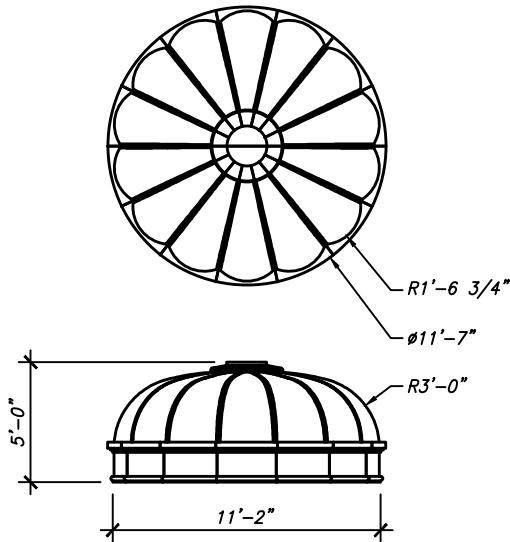
A-230

HEIGHT: 5'-6"  
WIDTH: 11'-0"



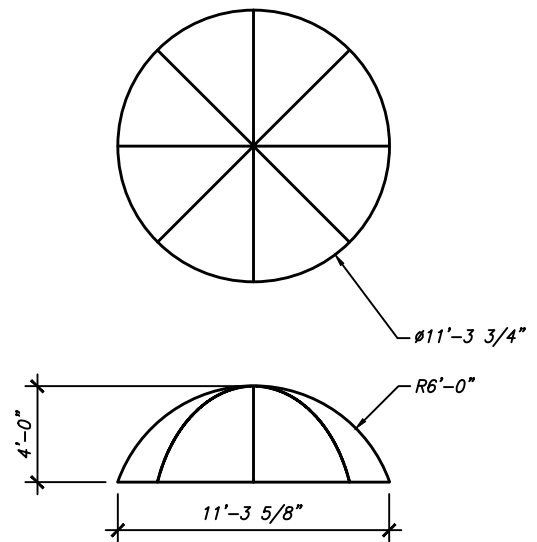
A-236

HEIGHT: 5'-0"  
WIDTH: 11'-7"



A-209

HEIGHT: 4'-0"  
WIDTH: 11'-3 5/8"  
DOME SQ.FT.: 199.40



HEMI DOMES

SHEET NO.

A-15

2020

HEMISPHERE DOMES

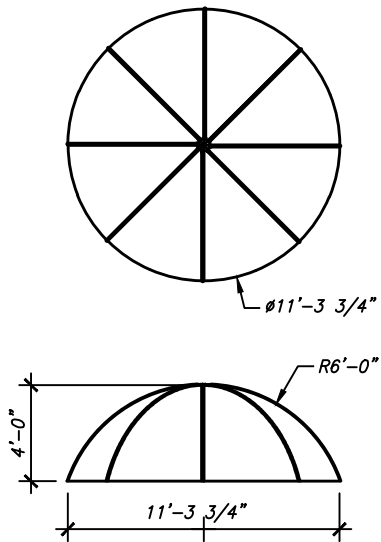


ARCHITECTURAL FIBERGLASS, INC.

8300 BESSEMER AVE., CLEVELAND, OHIO 44127-1839  
(216) 641-8300 - FAX:(216) 641-8150  
www.fiberglass-afi.com

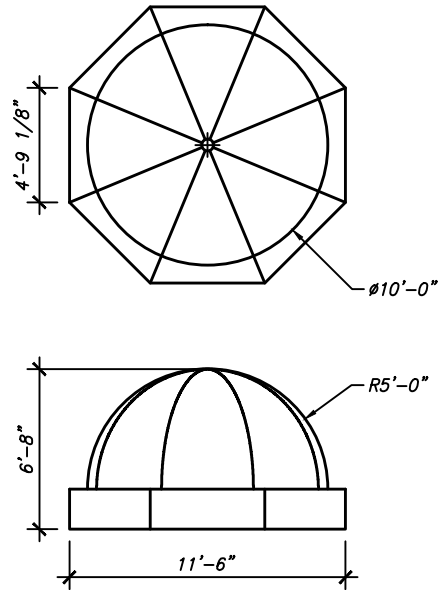
A-145

HEIGHT: 4'-0"  
WIDTH: 11'-3 3/4"



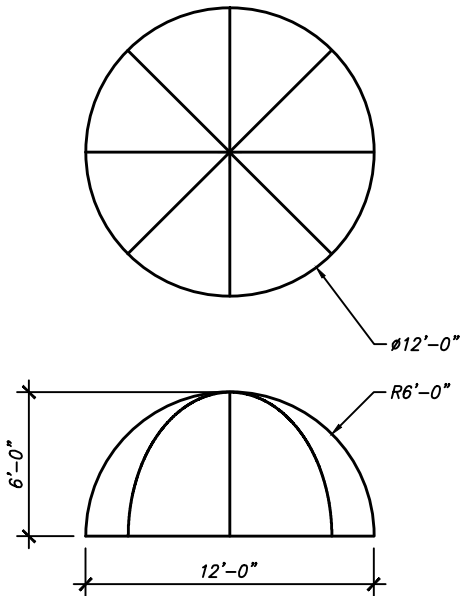
A-197

HEIGHT: 6'-8"  
WIDTH: 11'-6"



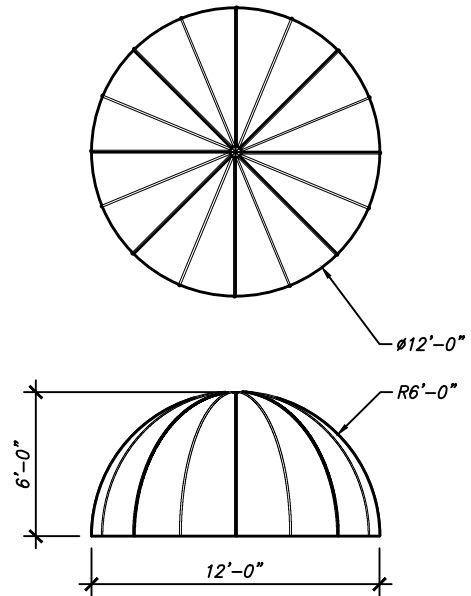
A-117

HEIGHT: 6'-0"  
WIDTH: 12'-0"



A-213

HEIGHT: 6'-0"  
WIDTH: 12'-0"



HEMI DOMES

SHEET NO.

A-16

2020

HEMISPHERE DOMES

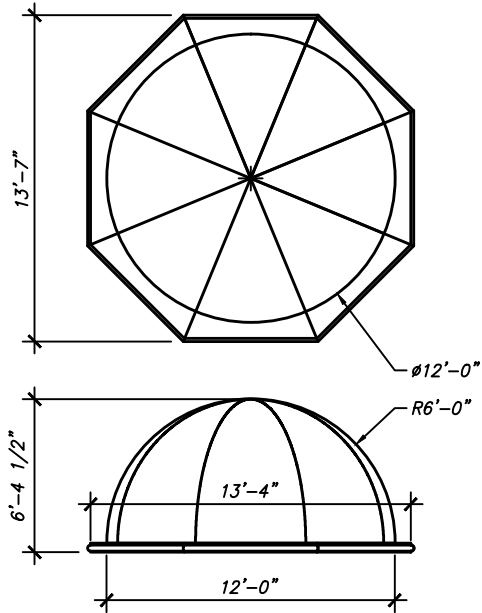


ARCHITECTURAL FIBERGLASS, INC.

8300 BESSEMER AVE., CLEVELAND, OHIO 44127-1839  
(216) 641-8300 - FAX:(216) 641-8150  
www.fiberglass-afi.com

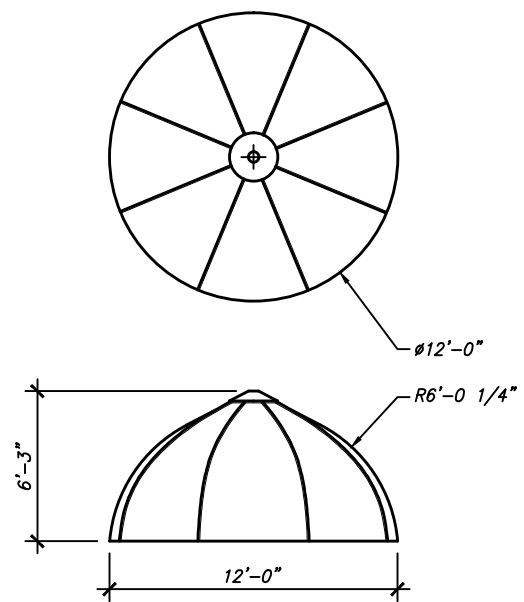
A-235

HEIGHT: 6'-4 1/2"  
WIDTH: 13'-7"



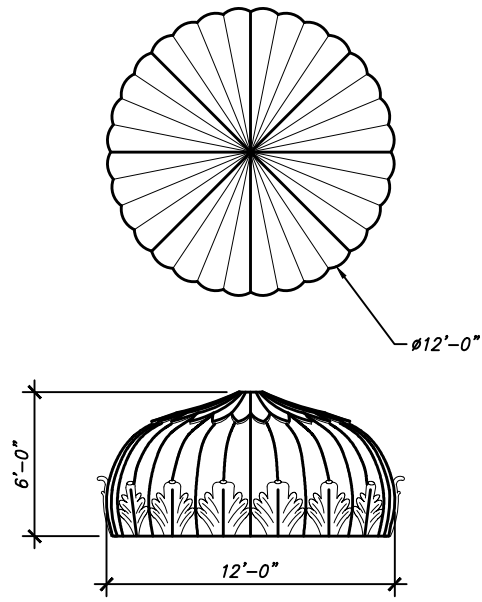
A-107

HEIGHT: 6'-3"  
WIDTH: 12'-0"



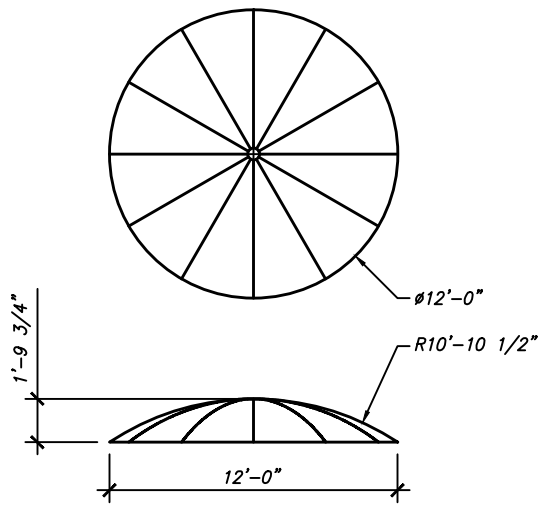
A-135

HEIGHT: 6'-0"  
WIDTH: 12'-0"



A-162

HEIGHT: 1'-9 3/4"  
WIDTH: 12'-0"



HEMI DOMES

SHEET NO.

A-17

2020

HEMISPHERE DOMES

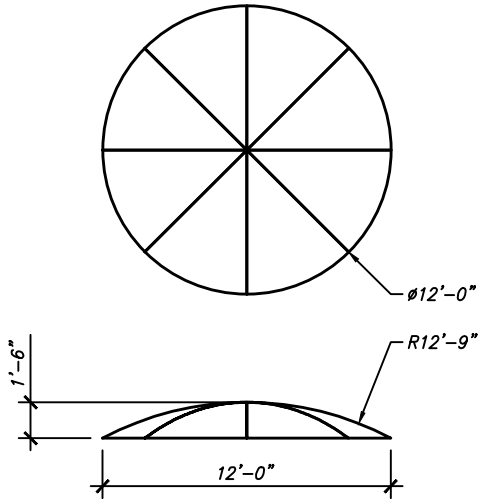


ARCHITECTURAL FIBERGLASS, INC.

8300 BESSEMER AVE., CLEVELAND, OHIO 44127-1839  
(216) 641-8300 - FAX:(216) 641-8150  
www.fiberglass-afi.com

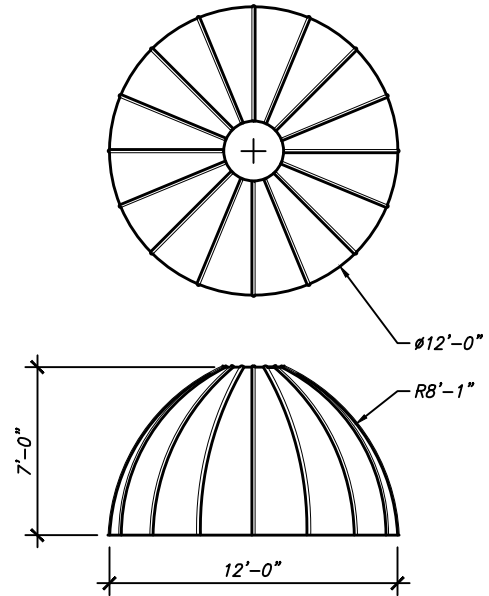
A-208

HEIGHT: 1'-6"  
WIDTH: 12'-0"



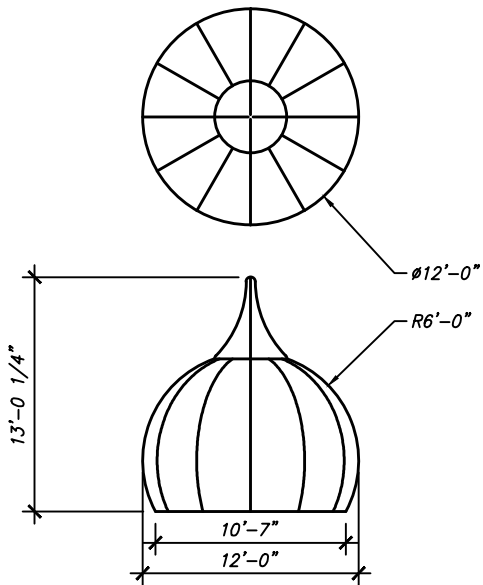
A-111

HEIGHT: 7'-0"  
WIDTH: 12'-0"



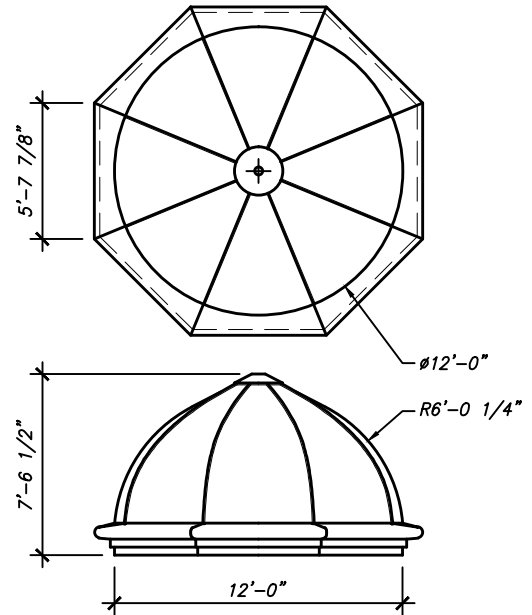
A-249

HEIGHT: 13'-0 1/4"  
WIDTH: 12'-0"



A-104

HEIGHT: 7'-6 1/2"  
WIDTH: 12'-0"



HEMI DOMES

SHEET NO.

A-18

2020

HEMISPHERE DOMES



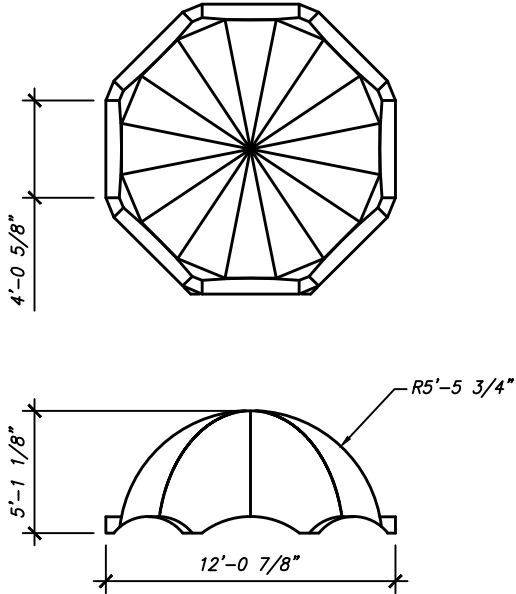
ARCHITECTURAL FIBERGLASS, INC.

8300 BESSEMER AVE., CLEVELAND, OHIO 44127-1839  
(216) 641-8300 - FAX:(216) 641-8150  
www.fiberglass-afi.com



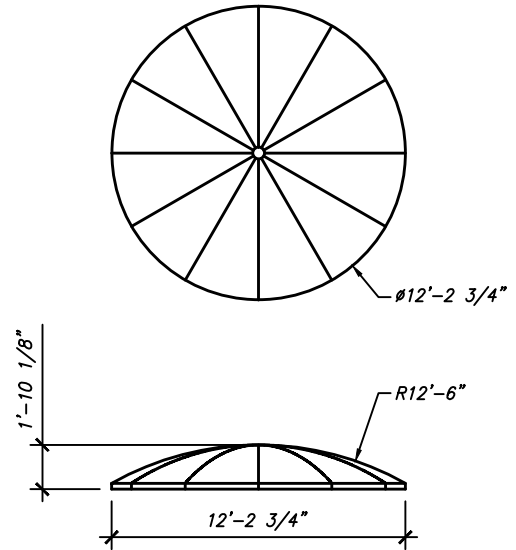
A-116

HEIGHT: 5'-1 1/8"  
WIDTH: 12'-0 7/8"



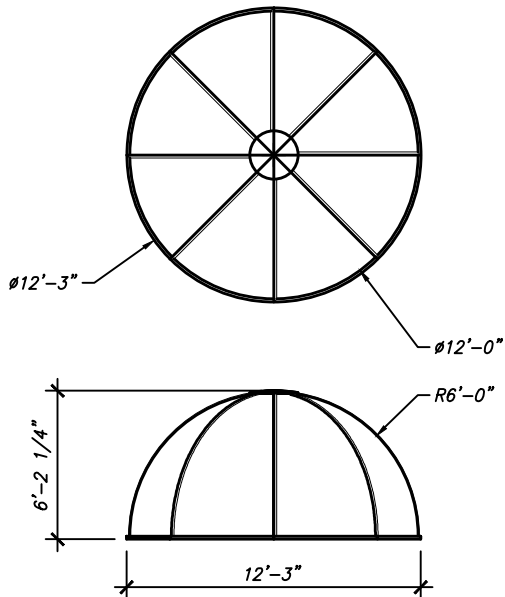
A-258

HEIGHT: 1'-10 1/8"  
WIDTH: 12'-2 3/4"



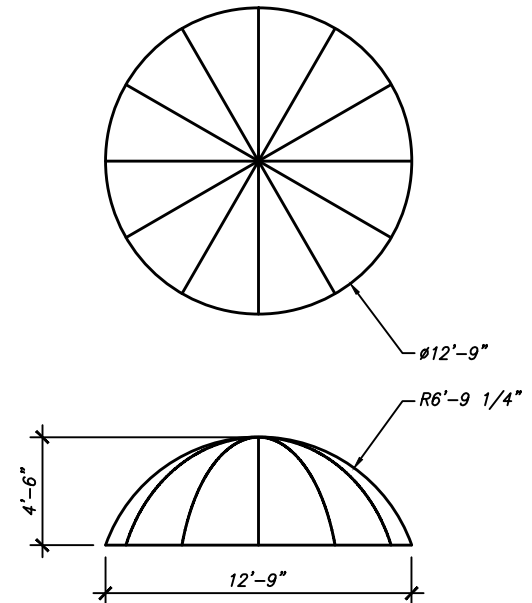
A-180

HEIGHT: 6'-2 1/4"  
WIDTH: 12'-3"



A-163

HEIGHT: 4'-6"  
WIDTH: 12'-9"



HEMI DOMES

SHEET NO.

A-19

2020

HEMISPHERE DOMES

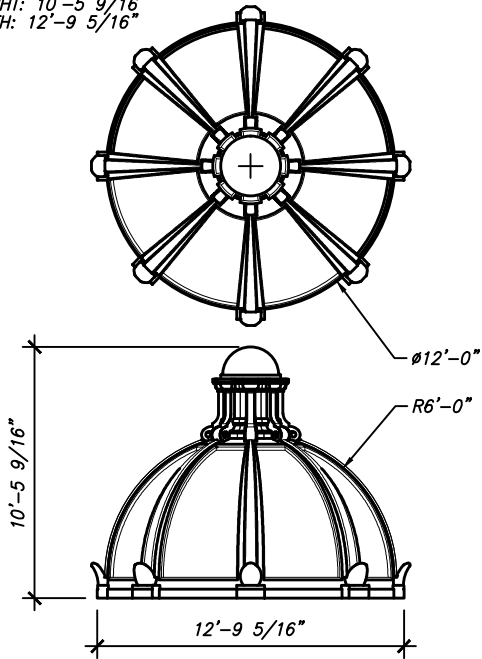


ARCHITECTURAL FIBERGLASS, INC.

8300 BESSEMER AVE., CLEVELAND, OHIO 44127-1839  
(216) 641-8300 - FAX:(216) 641-8150  
www.fiberglass-afi.com

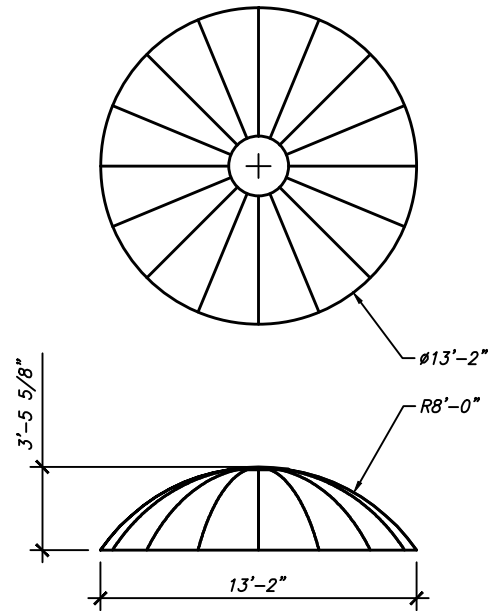
A-222

HEIGHT: 10'-5 9/16"  
WIDTH: 12'-9 5/16"



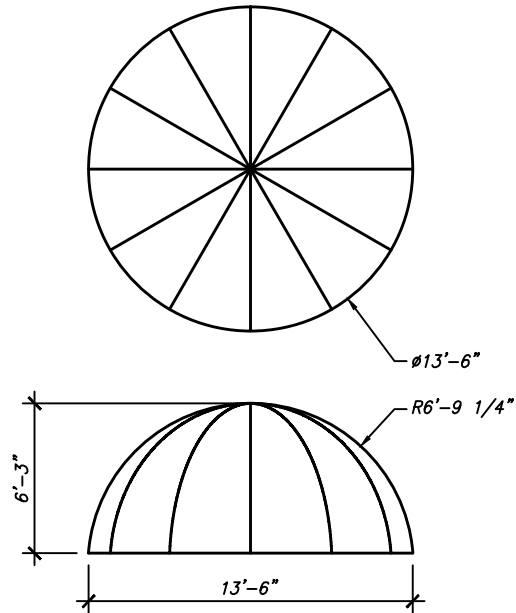
A-212

HEIGHT: 3'-5 5/8"  
WIDTH: 13'-2"



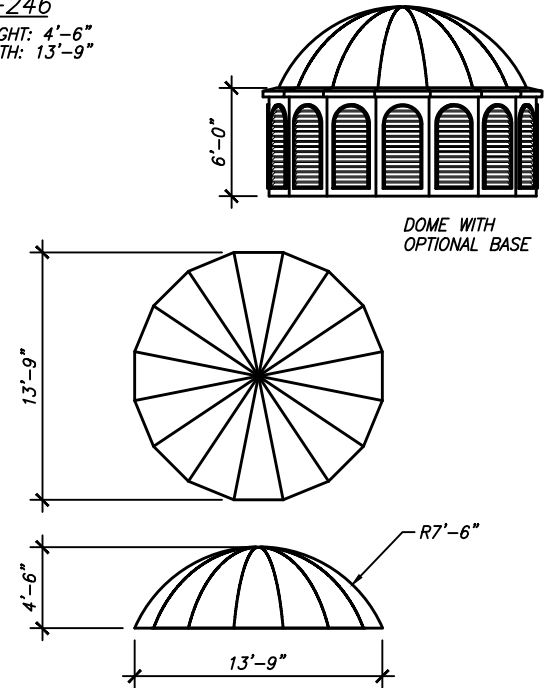
A-183

HEIGHT: 6'-3"  
WIDTH: 13'-6"



A-246

HEIGHT: 4'-6"  
WIDTH: 13'-9"



HEMI DOMES

SHEET NO.

A-20

2020

HEMISPHERE DOMES

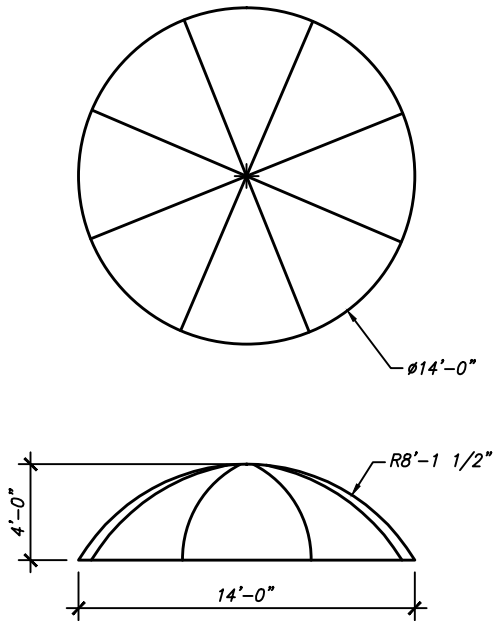


ARCHITECTURAL FIBERGLASS, INC.

8300 BESSEMER AVE., CLEVELAND, OHIO 44127-1839  
(216) 641-8300 - FAX:(216) 641-8150  
www.fiberglass-afi.com

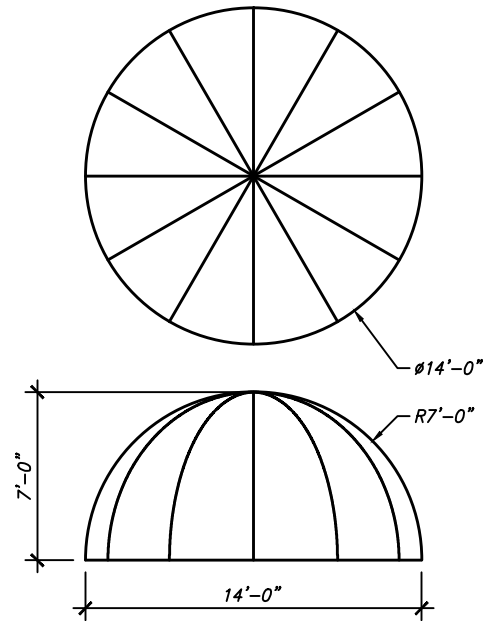
A-118

HEIGHT: 4'-0"  
WIDTH: 14'-0"



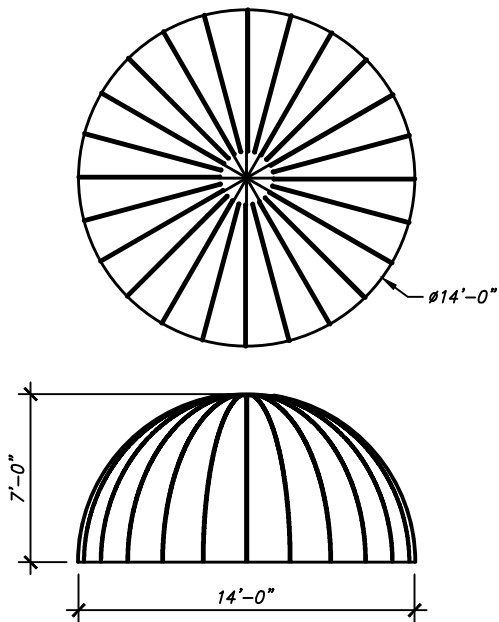
A-170

HEIGHT: 7'-0"  
WIDTH: 14'-0"



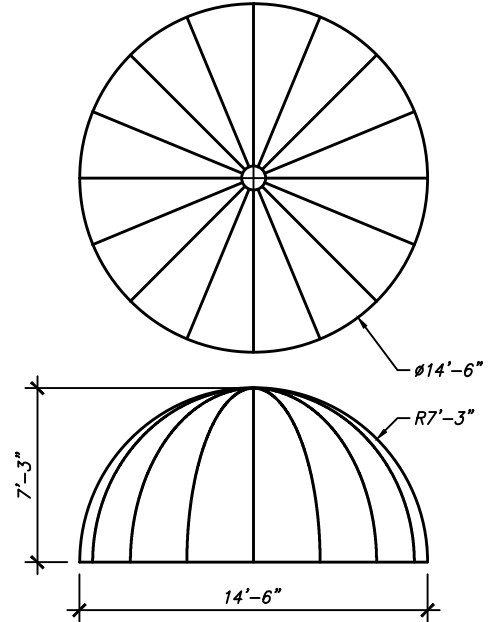
A-149

HEIGHT: 7'-0"  
WIDTH: 14'-0"



A-229

HEIGHT: 7'-3"  
WIDTH: 14'-6"



HEMI DOMES

SHEET NO.

A-21

2020

HEMISPHERE DOMES

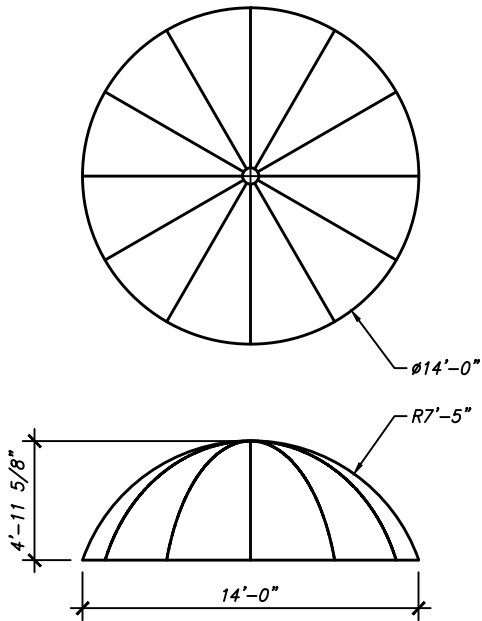


**ARCHITECTURAL FIBERGLASS, INC.**

8300 BESSEMER AVE., CLEVELAND, OHIO 44127-1839  
(216) 641-8300 - FAX:(216) 641-8150  
www.fiberglass-afi.com

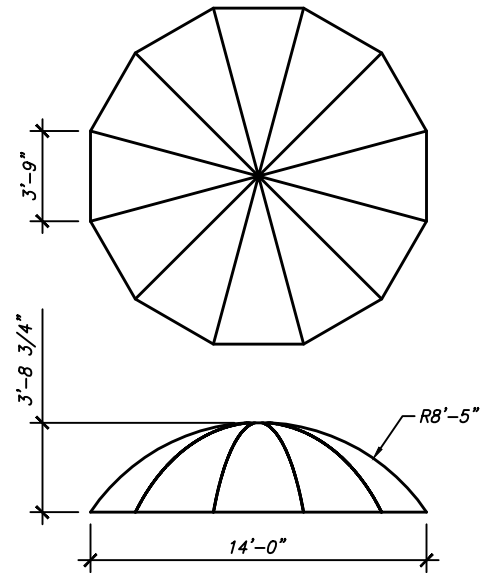
A-203

HEIGHT: 4'-11 5/8"  
WIDTH: 14'-0"



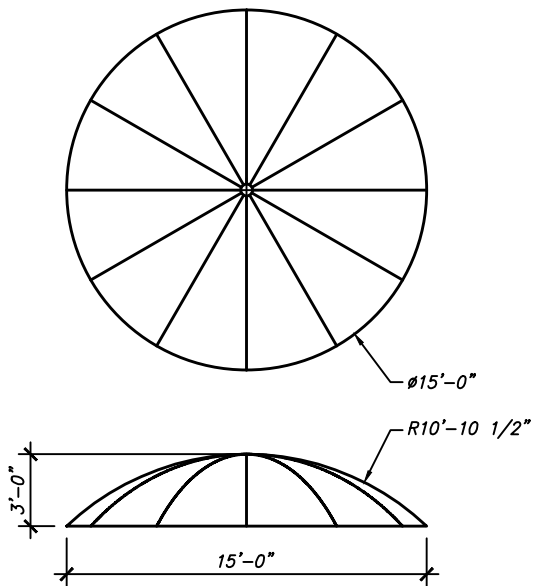
A-202

HEIGHT: 3'-8 3/4"  
WIDTH: 14'-0"



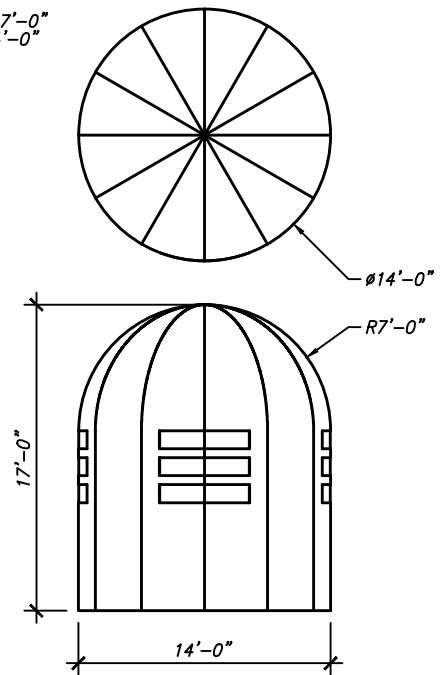
A-141

HEIGHT: 3'-0"  
WIDTH: 15'-0"



A-184

HEIGHT: 17'-0"  
WIDTH: 14'-0"



HEMI DOMES

SHEET NO.

A-22

2020

HEMISPHERE DOMES

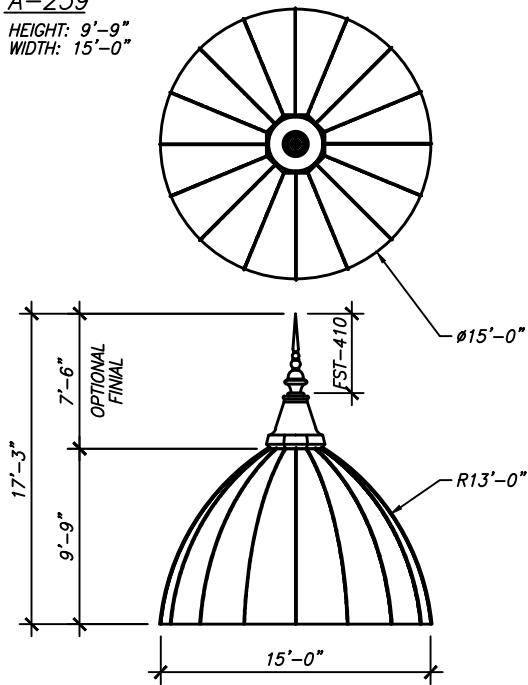


ARCHITECTURAL FIBERGLASS, INC.

8300 BESSEMER AVE., CLEVELAND, OHIO 44127-1839  
(216) 641-8300 - FAX:(216) 641-8150  
www.fiberglass-afi.com

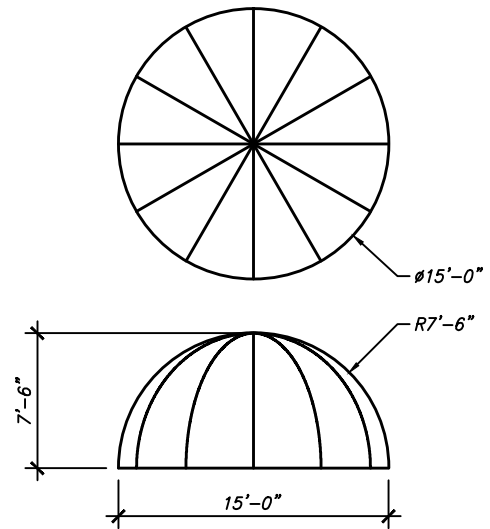
A-239

HEIGHT: 9'-9"  
WIDTH: 15'-0"



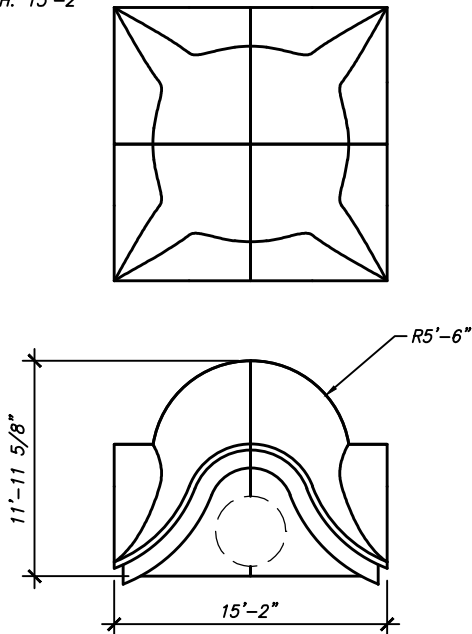
A-245

HEIGHT: 7'-6"  
WIDTH: 15'-0"



A-195

HEIGHT: 11'-11 5/8"  
WIDTH: 15'-2"



INTENTIONALLY LEFT BLANK

HEMI DOMES

SHEET NO.

A-23

2020

HEMISPHERE DOMES

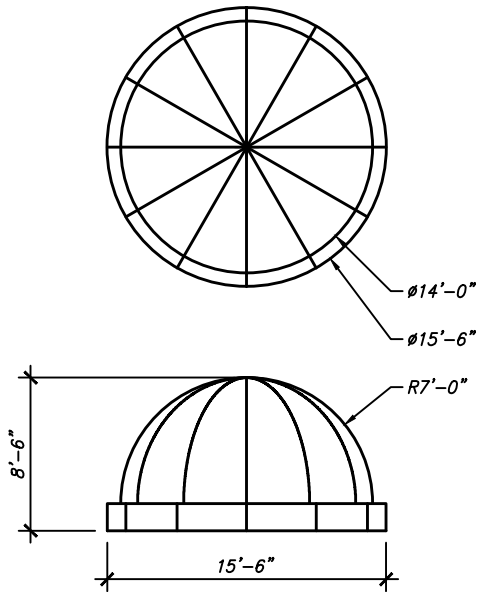


ARCHITECTURAL FIBERGLASS, INC.

8300 BESSEMER AVE., CLEVELAND, OHIO 44127-1839  
(216) 641-8300 - FAX:(216) 641-8150  
www.fiberglass-afi.com

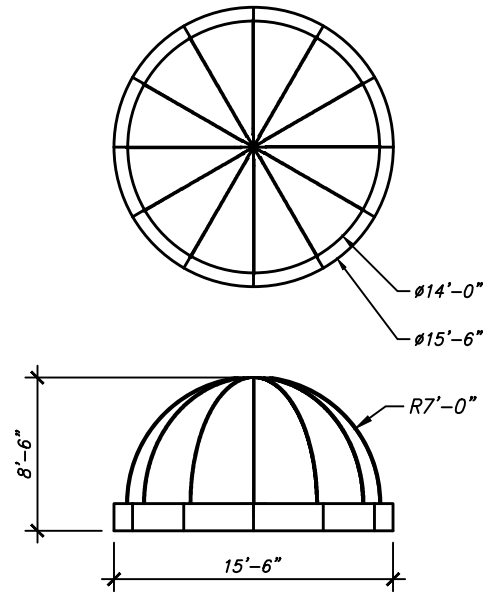
A-155

HEIGHT: 8'-6"  
WIDTH: 15'-6"



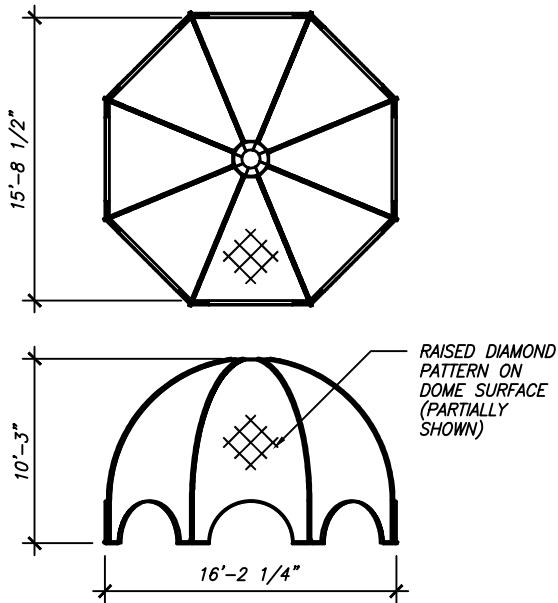
A-147

HEIGHT: 8'-6"  
WIDTH: 15'-6"



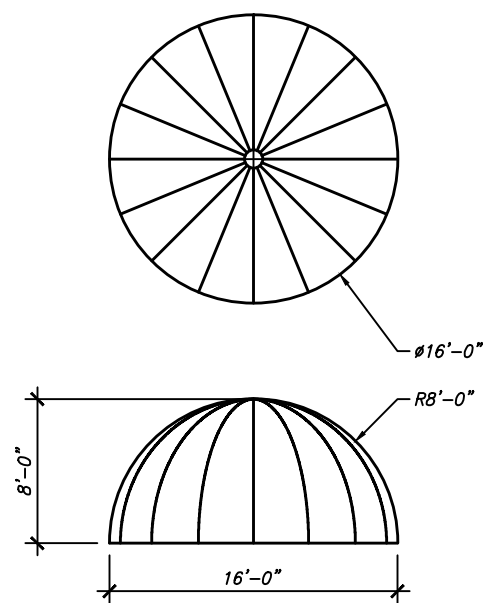
A-253

HEIGHT: 10'-3"  
WIDTH: 16'-2 1/4"



A-175

HEIGHT: 8'-0"  
WIDTH: 16'-0"



HEMI DOMES

SHEET NO.

A-24

2020

HEMISPHERE DOMES

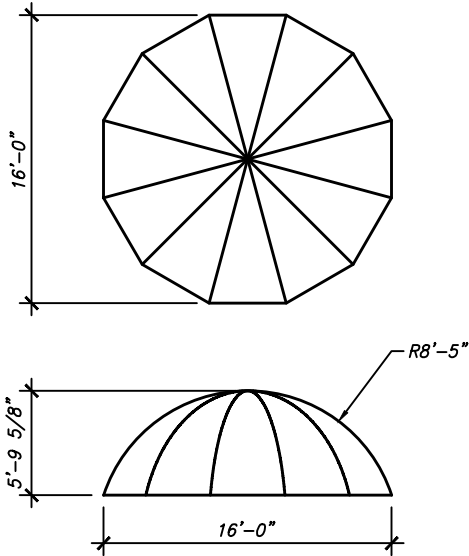


ARCHITECTURAL FIBERGLASS, INC.

8300 BESSEMER AVE., CLEVELAND, OHIO 44127-1839  
(216) 641-8300 - FAX:(216) 641-8150  
www.fiberglass-afi.com

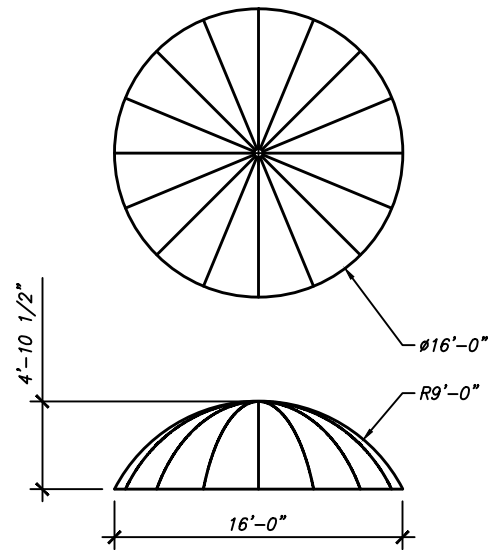
A-161

HEIGHT: 5'-9 5/8"  
WIDTH: 16'-0"



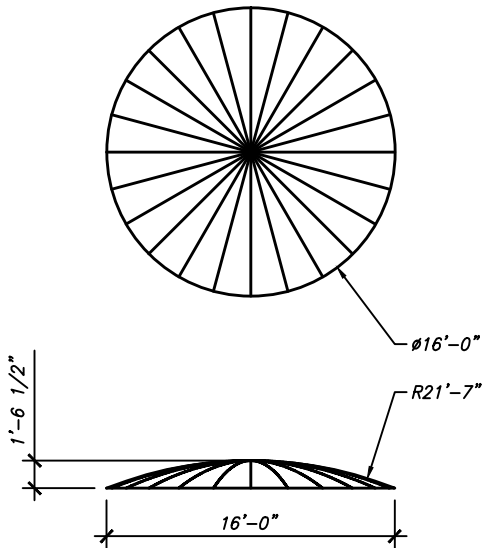
A-214

HEIGHT: 4'-10 1/2"  
WIDTH: 16'-0"



A-181

HEIGHT: 1'-6 1/2"  
WIDTH: 16'-0"



INTENTIONALLY LEFT BLANK

HEMI DOMES

SHEET NO.

A-25

2020

HEMISPHERE DOMES

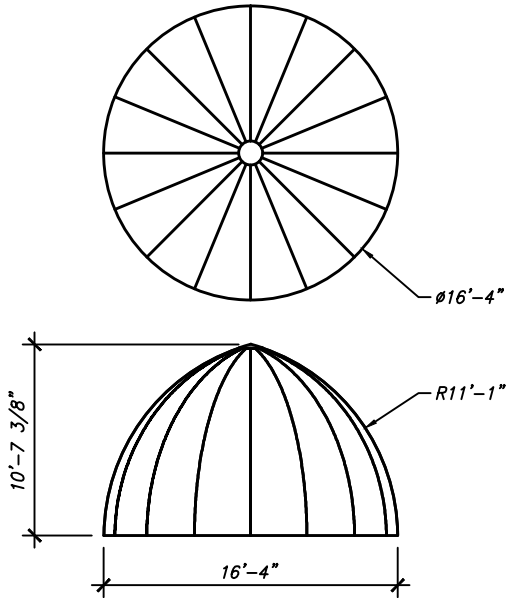


ARCHITECTURAL FIBERGLASS, INC.

8300 BESSEMER AVE., CLEVELAND, OHIO 44127-1839  
(216) 641-8300 - FAX:(216) 641-8150  
www.fiberglass-afi.com

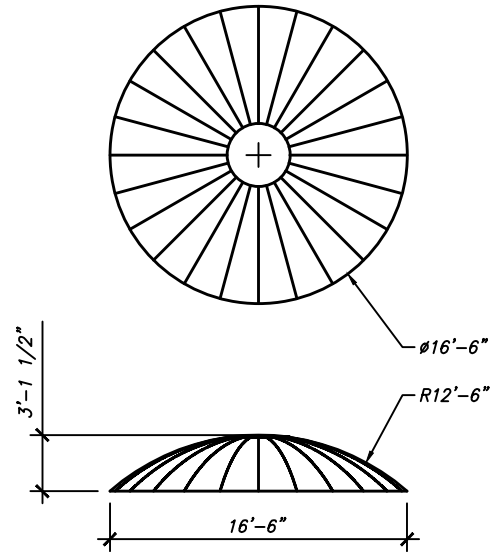
A-254

HEIGHT: 10'-7 3/8"  
WIDTH: 16'-4"



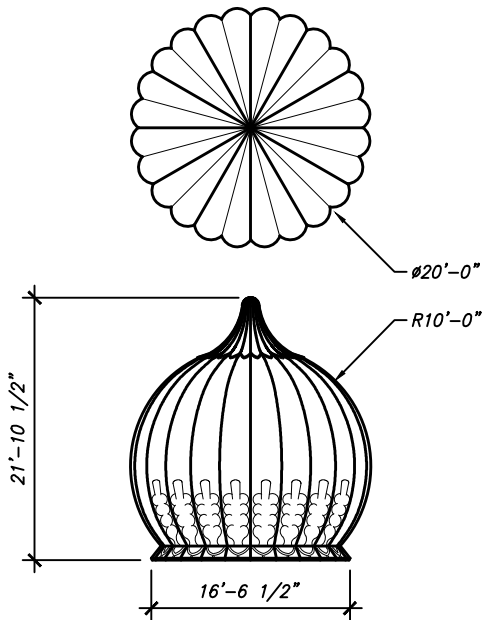
A-216

HEIGHT: 3'-1 1/2"  
WIDTH: 16'-6"



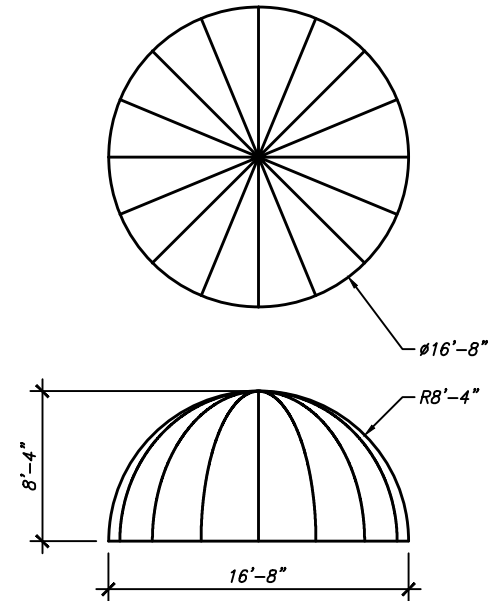
A-133

HEIGHT: 21'-10 1/2"  
WIDTH: 16'-6 1/2"



A-228

HEIGHT: 8'-4"  
WIDTH: 16'-8"



HEMI DOMES

SHEET NO.

A-26

2020

HEMISPHERE DOMES



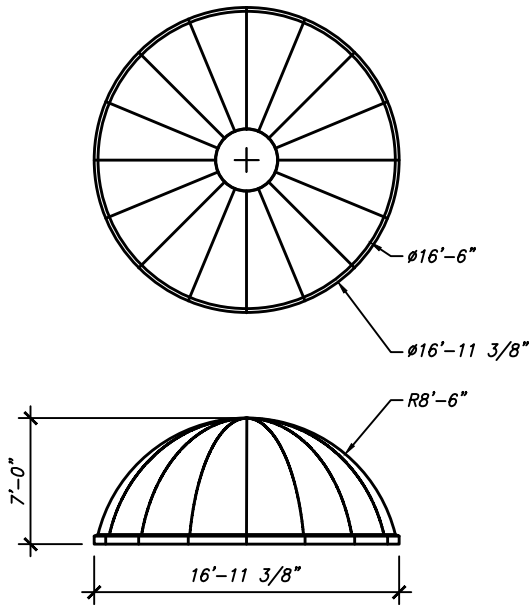
ARCHITECTURAL FIBERGLASS, INC.

8300 BESSEMER AVE., CLEVELAND, OHIO 44127-1839  
(216) 641-8300 - FAX:(216) 641-8150  
www.fiberglass-afi.com



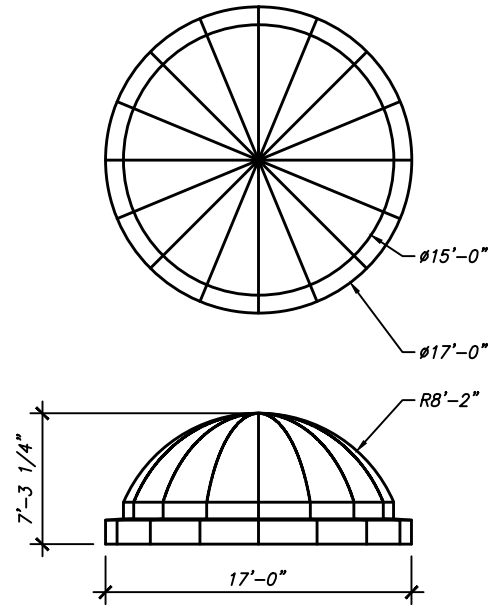
A-151

HEIGHT: 7'-0"  
WIDTH: 16'-11 3/8"



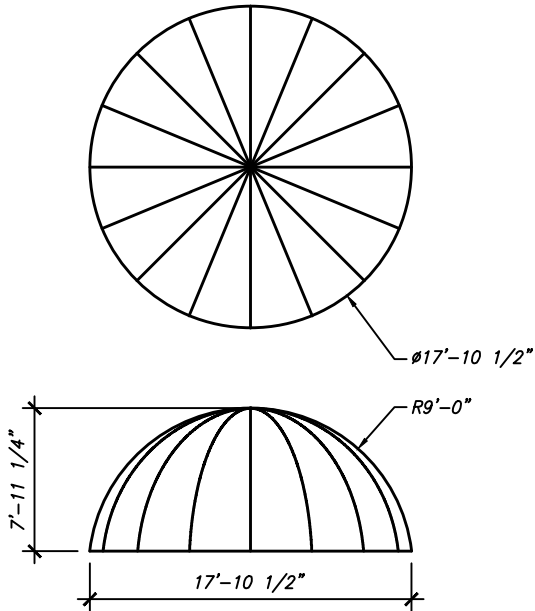
A-187

HEIGHT: 7'-3 1/4"  
WIDTH: 17'-0"



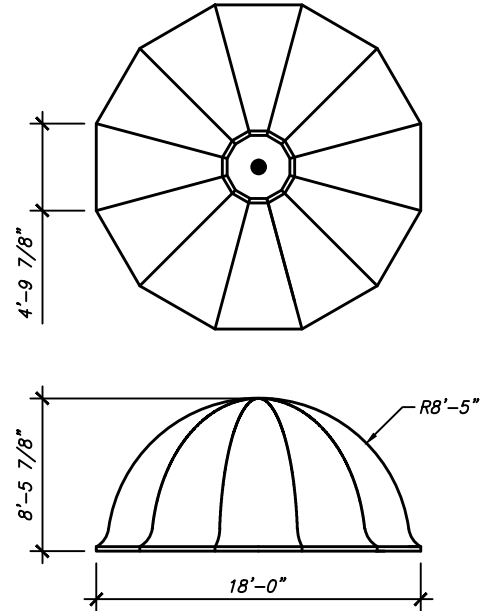
A-238

HEIGHT: 7'-11 1/4"  
WIDTH: 17'-10 1/2"



A-113

HEIGHT: 8'-5 7/8"  
WIDTH: 18'-0"



HEMI DOMES

SHEET NO.

A-27

2020

HEMISPHERE DOMES

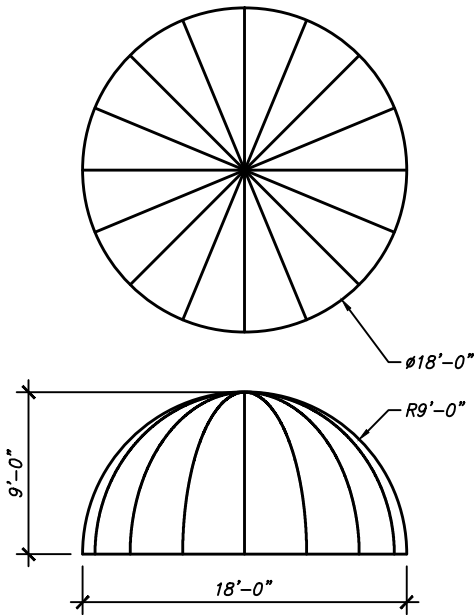


ARCHITECTURAL FIBERGLASS, INC.

8300 BESSEMER AVE., CLEVELAND, OHIO 44127-1839  
(216) 641-8300 - FAX:(216) 641-8150  
www.fiberglass-afi.com

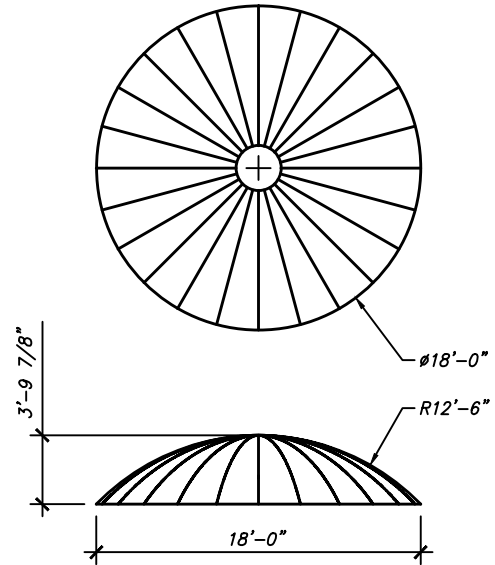
A-166

HEIGHT: 9'-0"  
WIDTH: 18'-0"



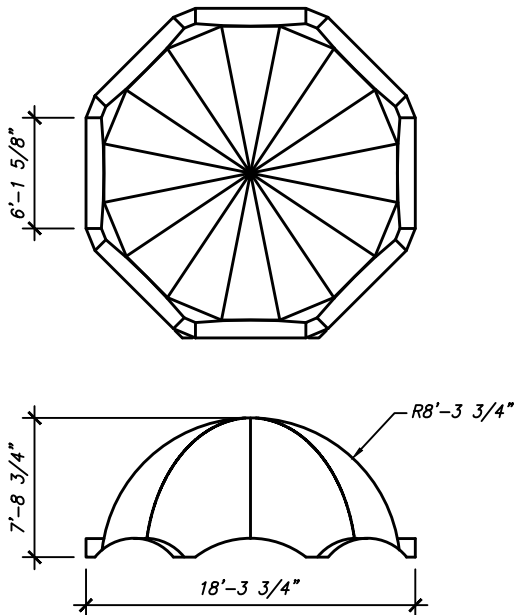
A-182

HEIGHT: 3'-9 7/8"  
WIDTH: 18'-0"



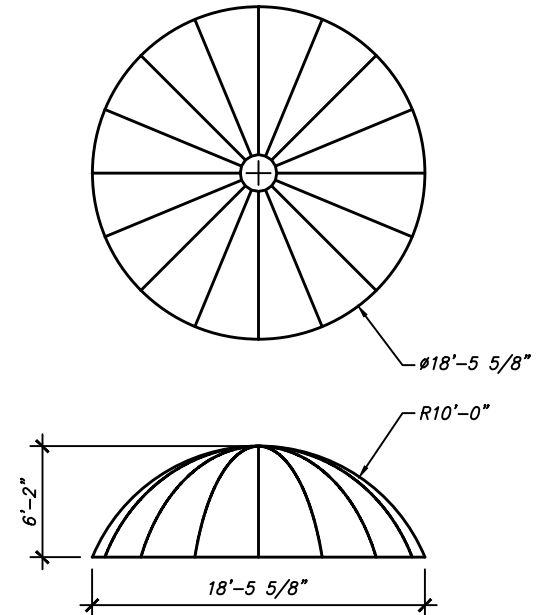
A-115

HEIGHT: 7'-8 3/4"  
WIDTH: 18'-3 3/4"



A-171

HEIGHT: 6'-2"  
WIDTH: 18'-5 5/8"



HEMI DOMES

SHEET NO.

A-28

2020

HEMISPHERE DOMES



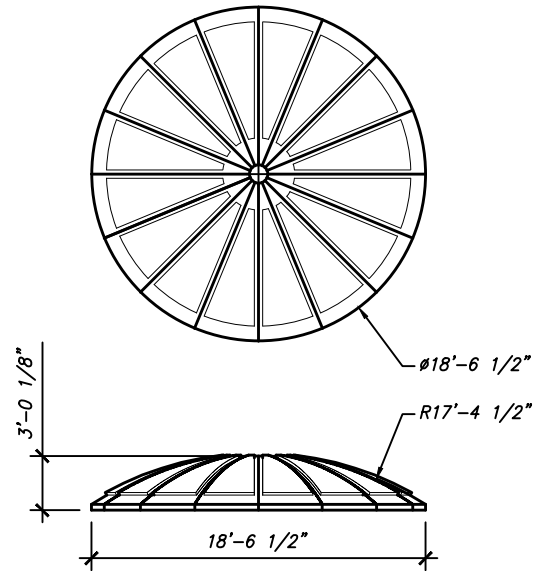
ARCHITECTURAL FIBERGLASS, INC.

8300 BESSEMER AVE., CLEVELAND, OHIO 44127-1839  
(216) 641-8300 - FAX:(216) 641-8150  
www.fiberglass-afi.com

DOME A-165 DISCONTINUED

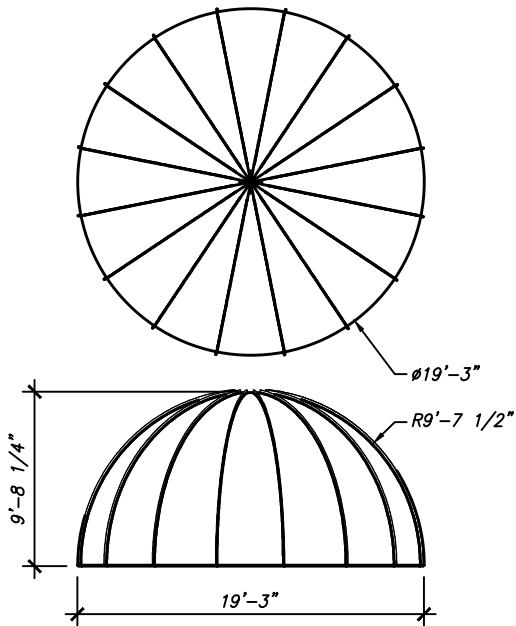
A-172

HEIGHT: 3'-0 1/8"  
WIDTH: 18'-6 1/2"



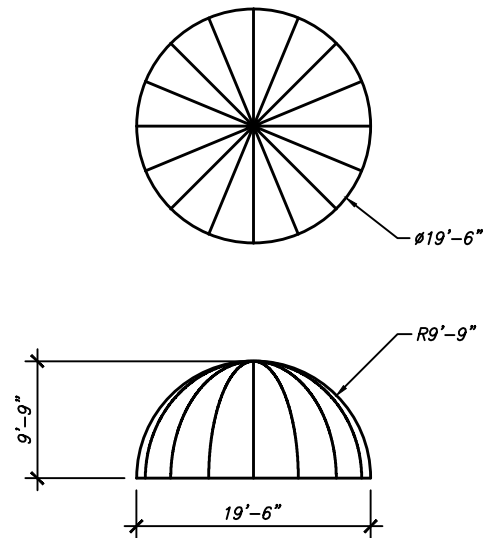
A-196

HEIGHT: 9'-8 1/4"  
WIDTH: 19'-3"



A-233

HEIGHT: 9'-9"  
WIDTH: 19'-6"



HEMI DOMES

SHEET NO.

A-29

2020

HEMISPHERE DOMES

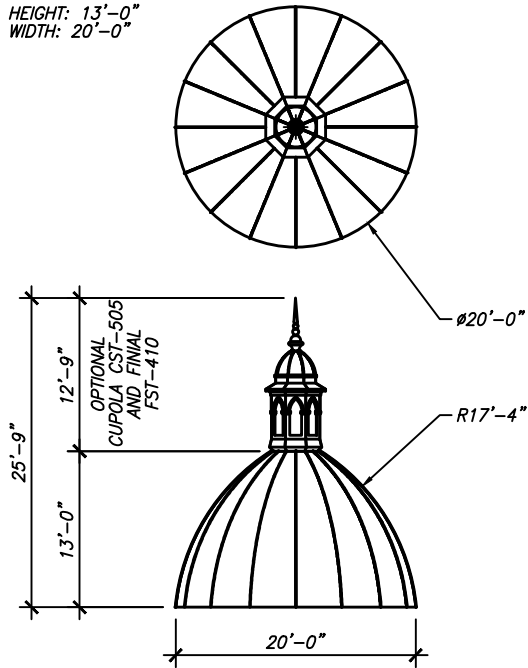


ARCHITECTURAL FIBERGLASS, INC.

8300 BESSEMER AVE., CLEVELAND, OHIO 44127-1839  
(216) 641-8300 - FAX:(216) 641-8150  
www.fiberglass-afi.com

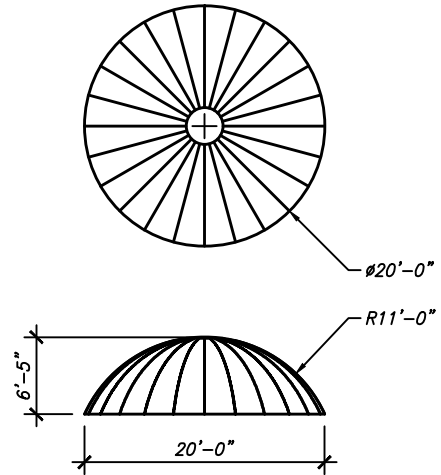
A-240

HEIGHT: 13'-0"  
WIDTH: 20'-0"



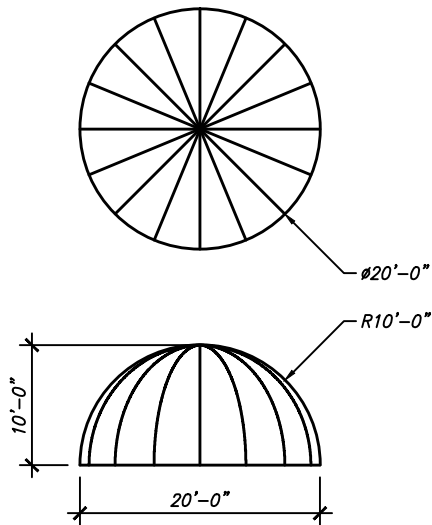
A-217

HEIGHT: 6'-5"  
WIDTH: 20'-0"



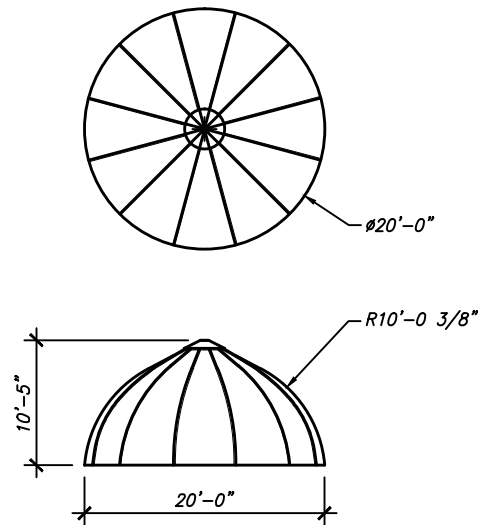
A-247

HEIGHT: 10'-0"  
WIDTH: 20'-0"



A-122

HEIGHT: 10'-5"  
WIDTH: 20'-0"



HEMI DOMES

SHEET NO.

A-30

2020

HEMISPHERE DOMES

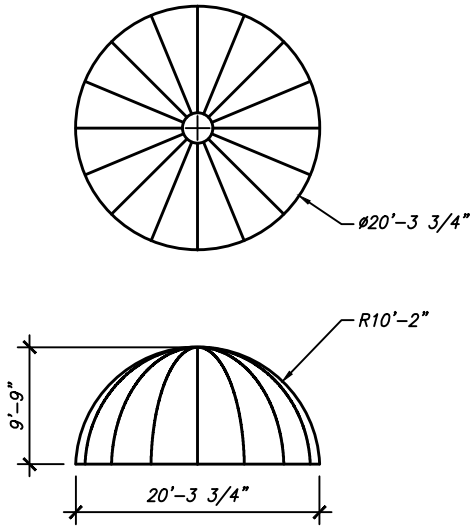


ARCHITECTURAL FIBERGLASS, INC.

8300 BESSEMER AVE., CLEVELAND, OHIO 44127-1839  
(216) 641-8300 - FAX:(216) 641-8150  
www.fiberglass-afi.com

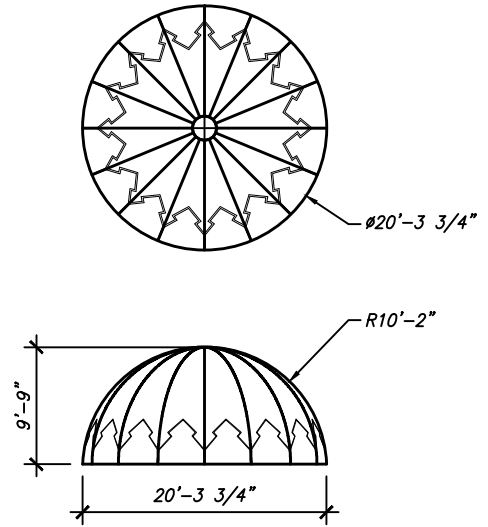
A-108

HEIGHT: 9'-9"  
WIDTH: 20'-3 3/4"



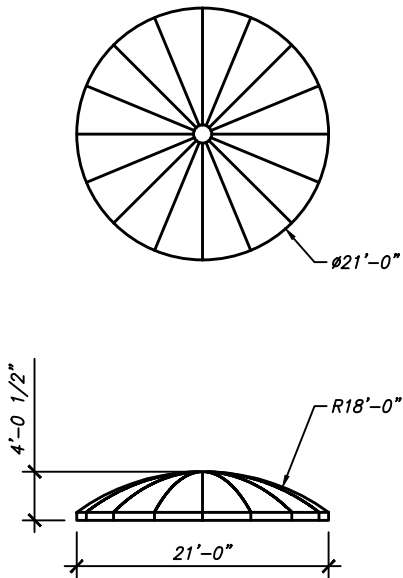
A-157

HEIGHT: 9'-9"  
WIDTH: 20'-3 3/4"



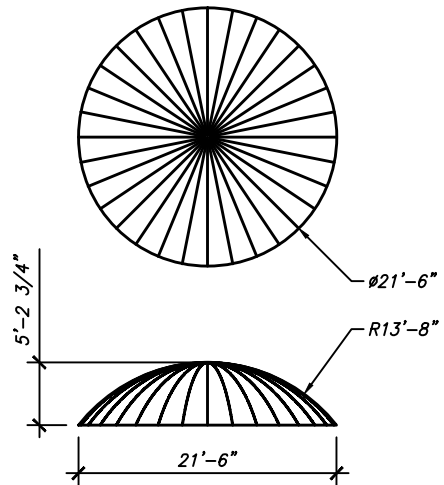
A-257

HEIGHT: 4'-0 1/2"  
WIDTH: 21'-0"



A-215

HEIGHT: 5'-2 3/4"  
WIDTH: 21'-6"



HEMI DOMES

SHEET NO.

A-31

2020

HEMISPHERE DOMES

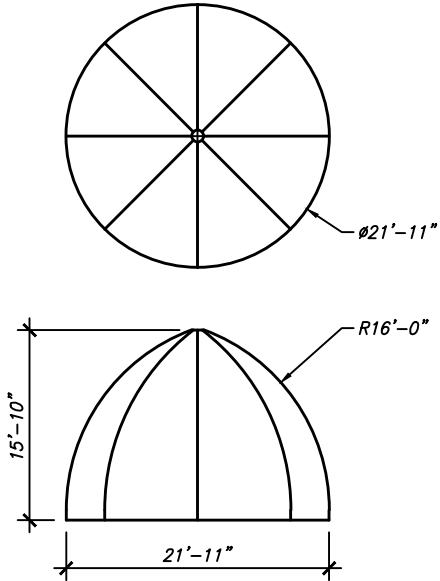


ARCHITECTURAL FIBERGLASS, INC.

8300 BESSEMER AVE., CLEVELAND, OHIO 44127-1839  
(216) 641-8300 - FAX:(216) 641-8150  
www.fiberglass-afi.com

A-120

HEIGHT: 15'-10"  
WIDTH: 21'-11"

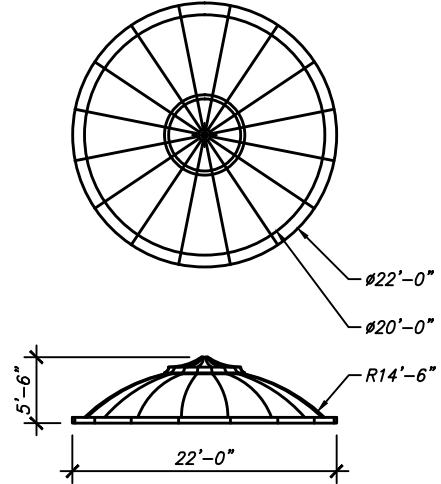


A-126

HEIGHT: 5'-6"  
WIDTH: 22'-0"

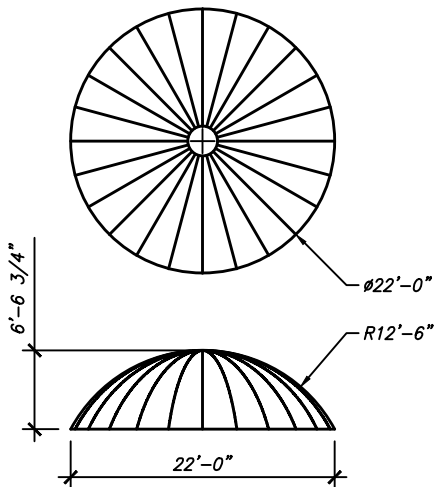


DOME WITH  
OPTIONAL BASE



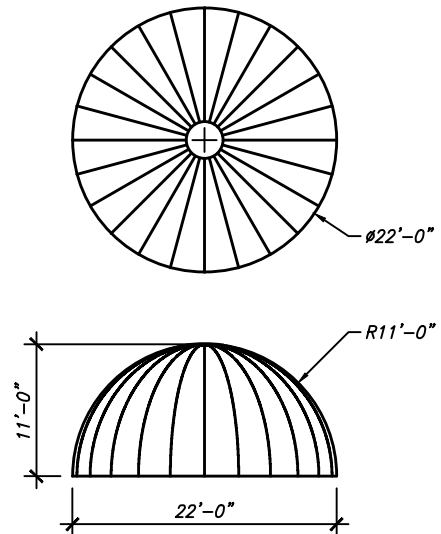
A-224

HEIGHT: 6'-6 3/4"  
WIDTH: 22'-0"



A-127

HEIGHT: 11'-0"  
WIDTH: 22'-0"



HEMI DOMES

SHEET NO.

A-32

2020

HEMISPHERE DOMES

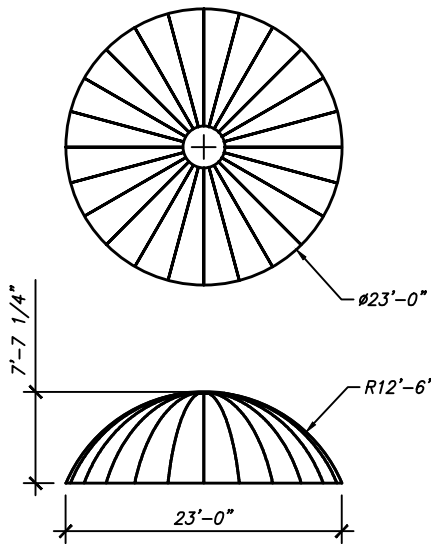


ARCHITECTURAL FIBERGLASS, INC.

8300 BESSEMER AVE., CLEVELAND, OHIO 44127-1839  
(216) 641-8300 - FAX:(216) 641-8150  
www.fiberglass-afi.com

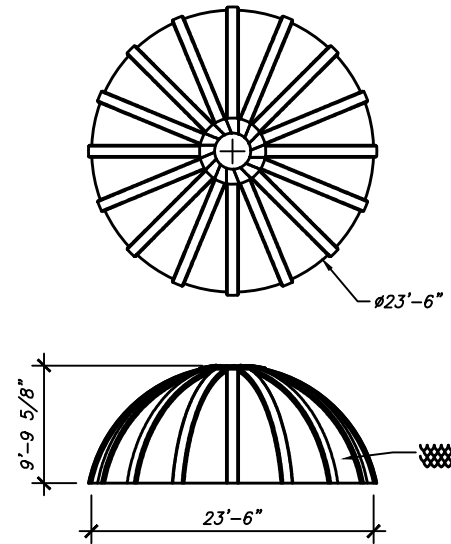
A-190

HEIGHT: 7'-7 1/4"  
WIDTH: 23'-0"



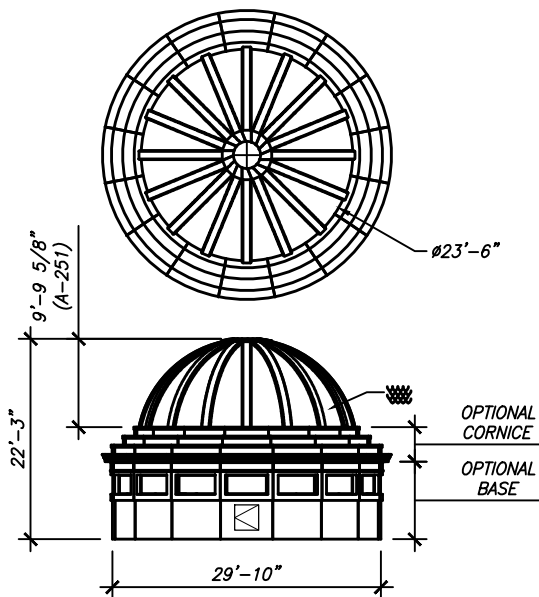
A-251

HEIGHT: 9'-9 5/8"  
WIDTH: 23'-6"



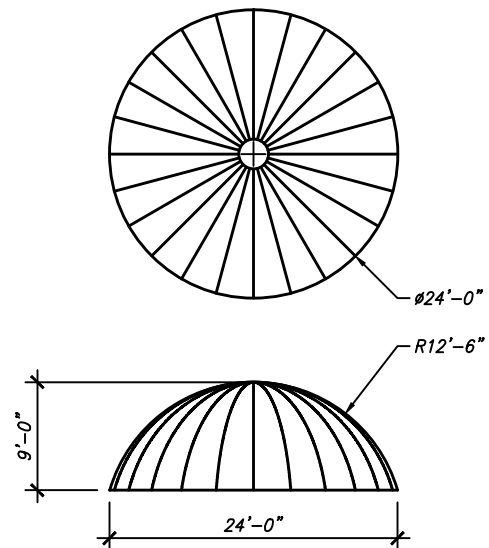
A-252

HEIGHT: 22'-3"  
WIDTH: 29'-10"



A-225

HEIGHT: 9'-0"  
WIDTH: 24'-0"



HEMI DOMES

SHEET NO.

A-33

2020

HEMISPHERE DOMES

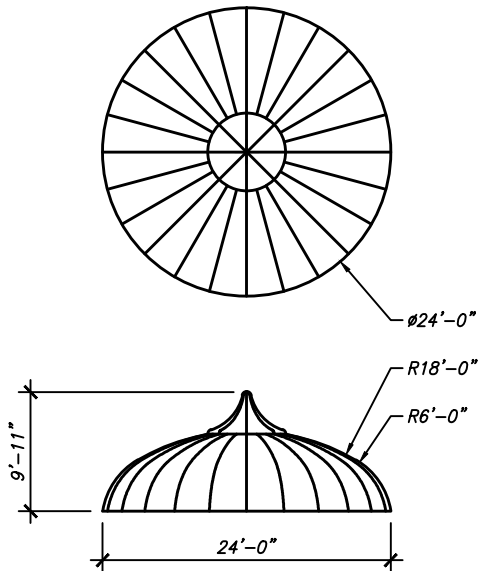


ARCHITECTURAL FIBERGLASS, INC.

8300 BESSEMER AVE., CLEVELAND, OHIO 44127-1839  
(216) 641-8300 - FAX:(216) 641-8150  
www.fiberglass-afi.com

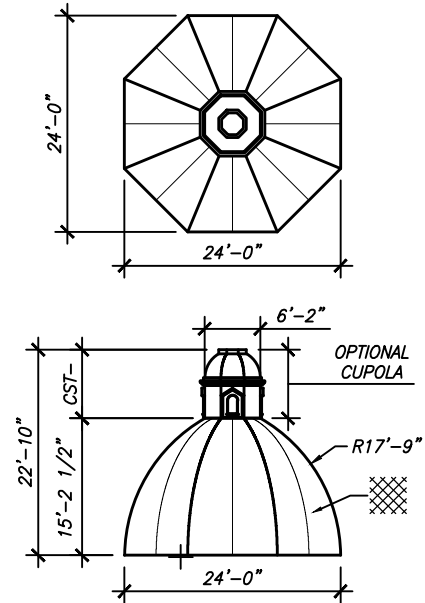
A-248

HEIGHT: 9'-11"  
WIDTH: 24'-0"



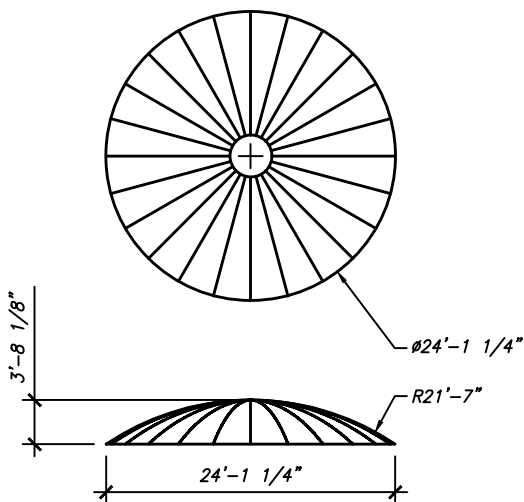
A-237

HEIGHT: 15'-2.5"  
WIDTH: 24'-0"



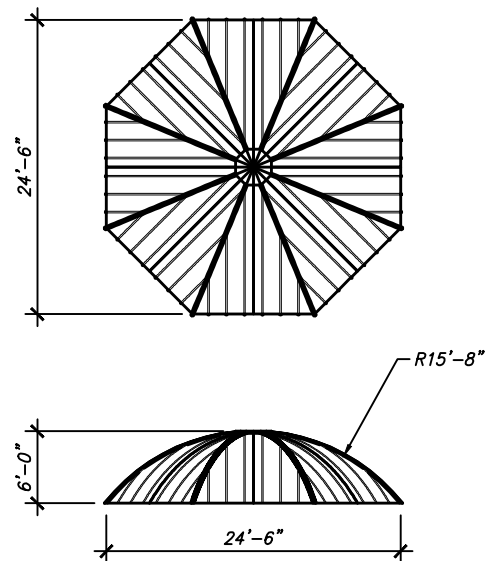
A-173

HEIGHT: 3'-8 1/8"  
WIDTH: 24'-1 1/4"



A-223

HEIGHT: 6'-0"  
WIDTH: 24'-6"



HEMI DOMES

SHEET NO.

A-34

2020

HEMISPHERE DOMES



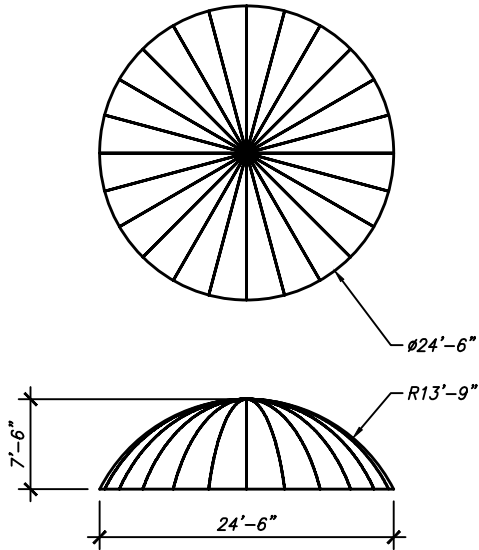
ARCHITECTURAL FIBERGLASS, INC.

8300 BESSEMER AVE., CLEVELAND, OHIO 44127-1839  
(216) 641-8300 - FAX:(216) 641-8150  
www.fiberglass-afi.com



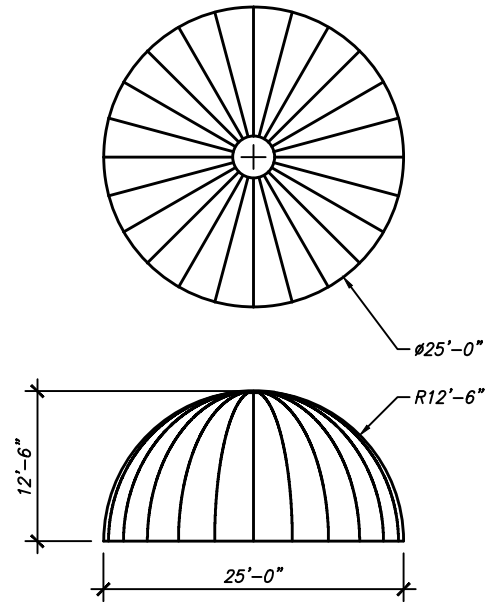
A-185

HEIGHT: 7'-6"  
WIDTH: 24'-6"



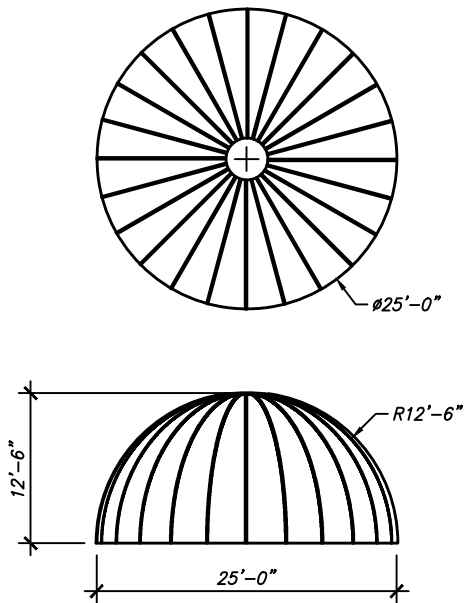
A-112

HEIGHT: 12'-6"  
WIDTH: 25'-0"



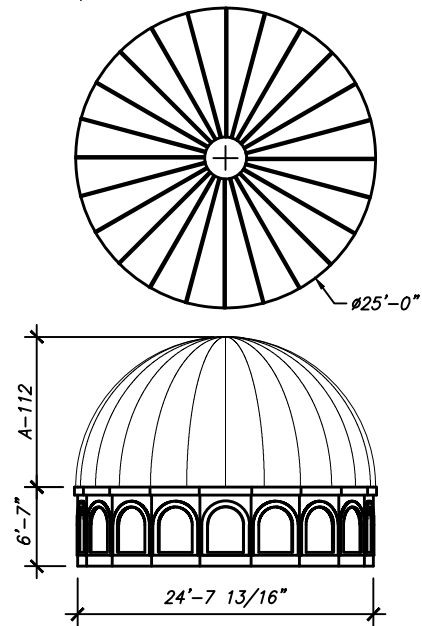
A-263

HEIGHT: 12'-6"  
WIDTH: 25'-0"



A-265

HEIGHT: 6'-7"  
WIDTH: 24'-7 13/16"



HEMI DOMES

SHEET NO.

A-35

2020

HEMISPHERE DOMES

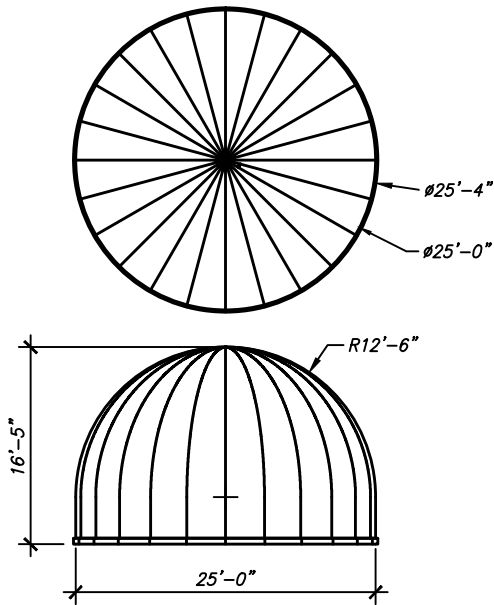


ARCHITECTURAL FIBERGLASS, INC.

8300 BESSEMER AVE., CLEVELAND, OHIO 44127-1839  
(216) 641-8300 - FAX:(216) 641-8150  
www.fiberglass-afi.com

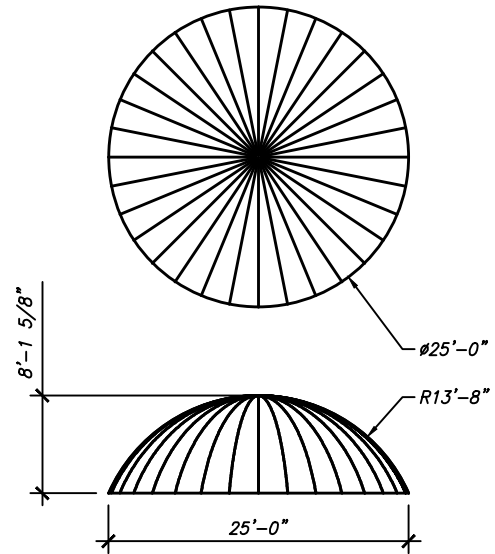
A-148

HEIGHT: 16'-5"  
WIDTH: 25'-0"



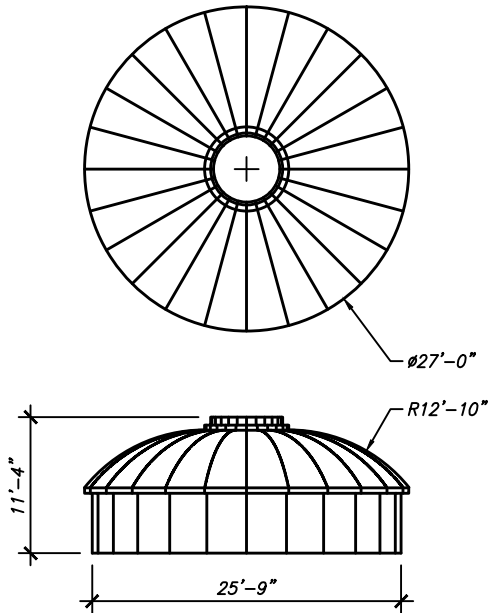
A-191

HEIGHT: 8'-1 5/8"  
WIDTH: 25'-0"



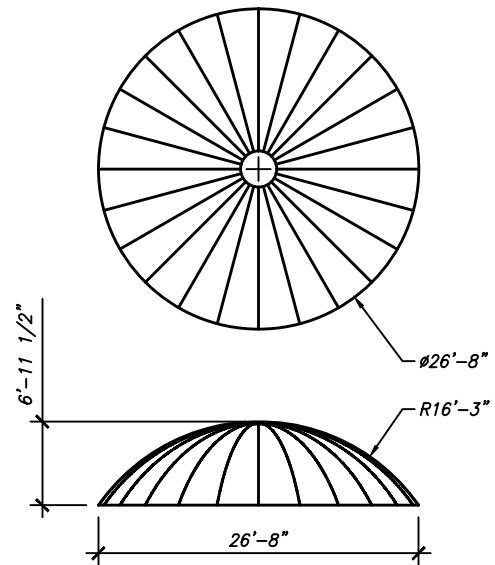
A-188

HEIGHT: 11'-4"  
WIDTH: 25'-9"



A-128

HEIGHT: 6'-11 1/2"  
WIDTH: 26'-8"



HEMI DOMES

SHEET NO.

A-36

2020

HEMISPHERE DOMES

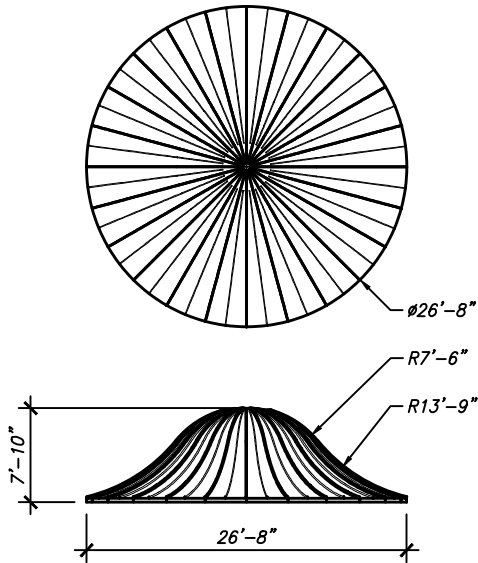


ARCHITECTURAL FIBERGLASS, INC.

8300 BESSEMER AVE., CLEVELAND, OHIO 44127-1839  
(216) 641-8300 - FAX:(216) 641-8150  
www.fiberglass-afi.com

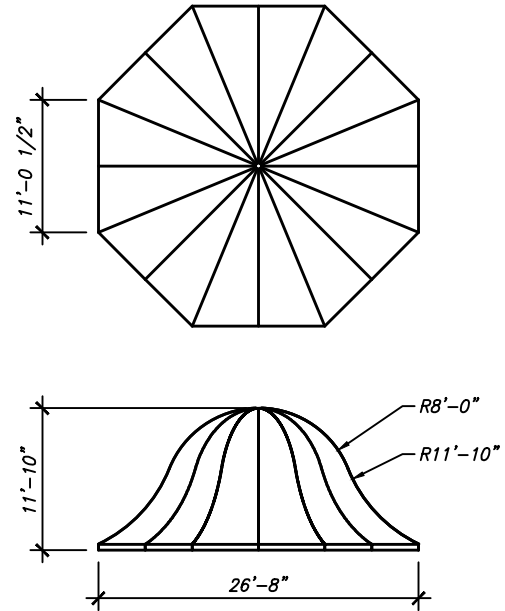
A-186

HEIGHT: 7'-10"  
WIDTH: 26'-8"



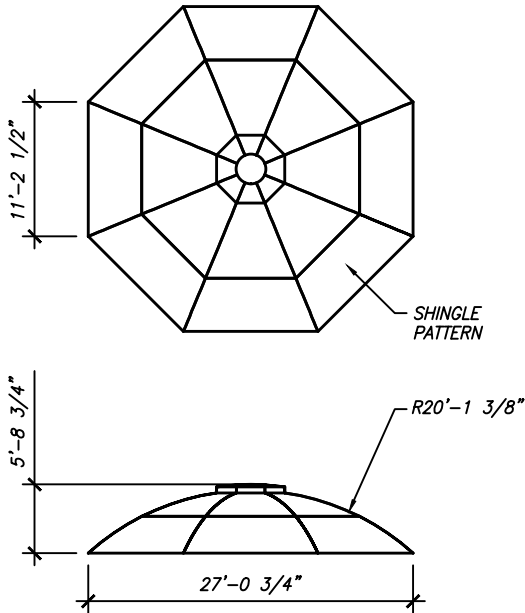
A-192

HEIGHT: 11'-10"  
WIDTH: 26'-8"



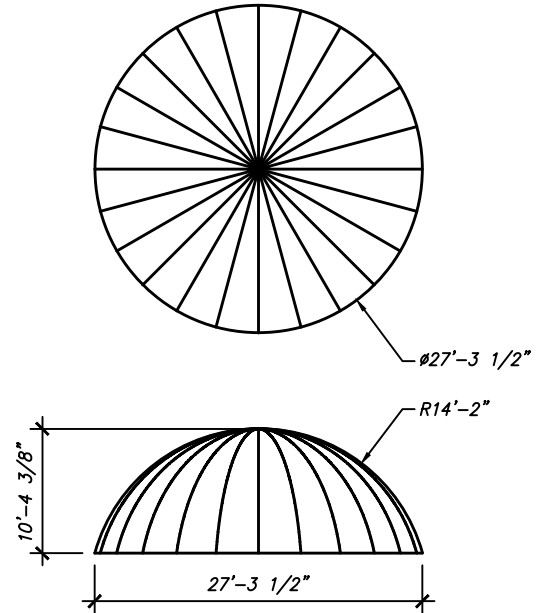
A-199

HEIGHT: 5'-8 3/4"  
WIDTH: 27'-0 3/4"



A-234

HEIGHT: 10'-4 3/8"  
WIDTH: 27'-3 1/2"



HEMI DOMES

SHEET NO.

A-37

2020

HEMISPHERE DOMES

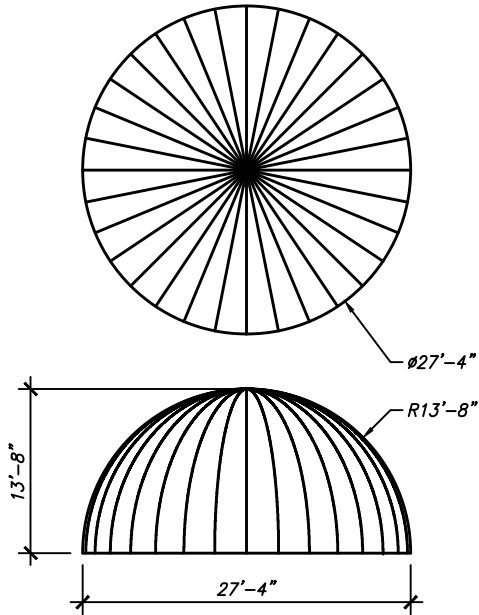


ARCHITECTURAL FIBERGLASS, INC.

8300 BESSEMER AVE., CLEVELAND, OHIO 44127-1839  
(216) 641-8300 - FAX:(216) 641-8150  
www.fiberglass-afi.com

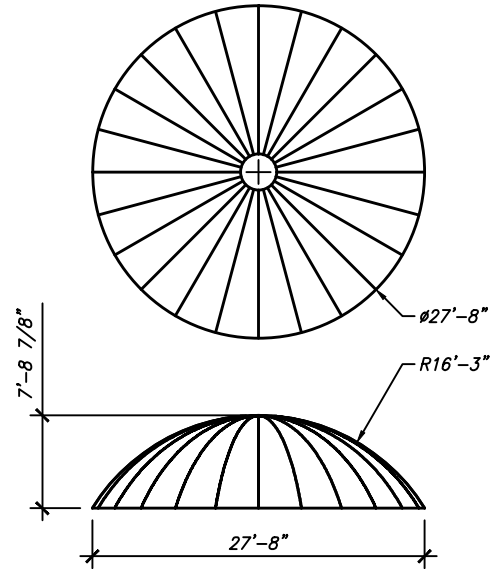
A-152

HEIGHT: 13'-9 1/4"  
WIDTH: 27'-4"



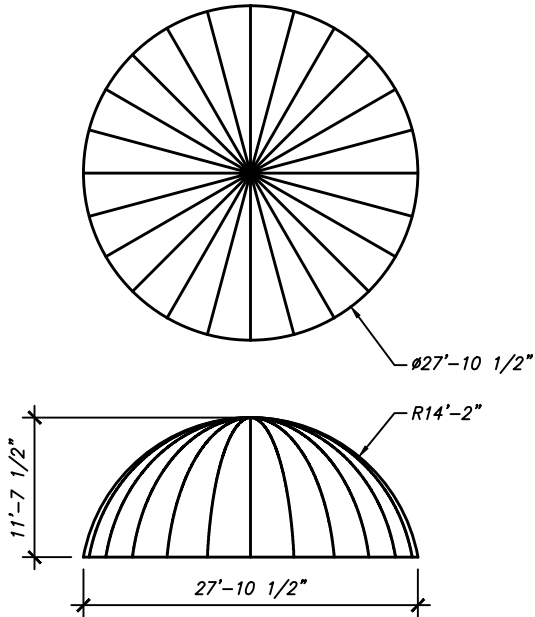
A-211

HEIGHT: 7'-8 7/8"  
WIDTH: 27'-8"



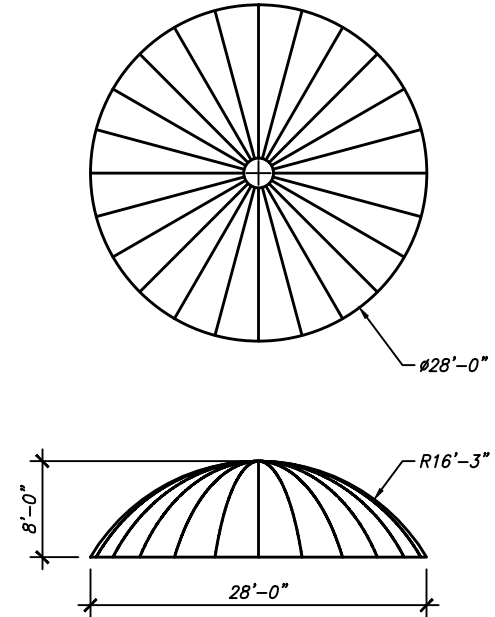
A-231

HEIGHT: 11'-7 1/2"  
WIDTH: 27'-10 1/2"



A-168

HEIGHT: 8'-0"  
WIDTH: 28'-0"



HEMI DOMES

SHEET NO.

A-38

2020

HEMISPHERE DOMES

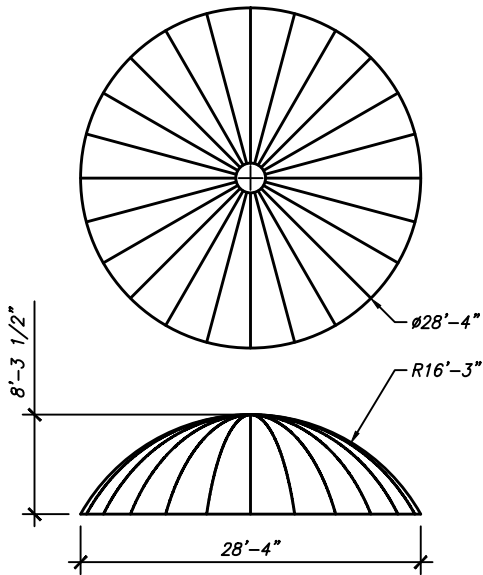


ARCHITECTURAL FIBERGLASS, INC.

8300 BESSEMER AVE., CLEVELAND, OHIO 44127-1839  
(216) 641-8300 - FAX:(216) 641-8150  
www.fiberglass-afi.com

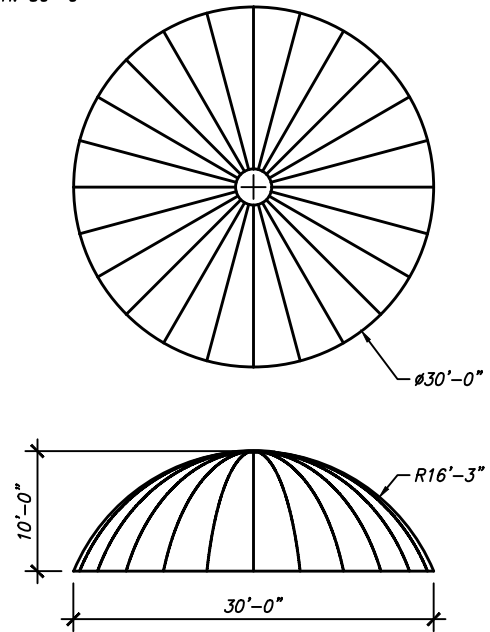
A-221

HEIGHT: 8'-3 1/2"  
WIDTH: 28'-4"



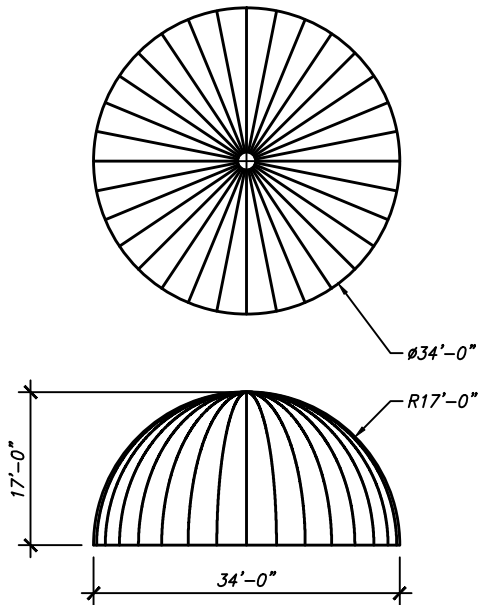
A-102

HEIGHT: 10'-0"  
WIDTH: 30'-0"



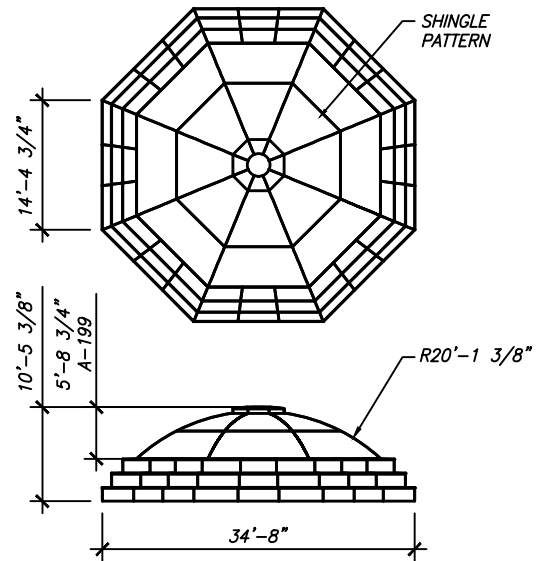
A-227

HEIGHT: 17'-0"  
WIDTH: 34'-0"



A-198

HEIGHT: 10'-5 3/8"  
WIDTH: 34'-8"



HEMI DOMES

SHEET NO.

A-39

2020

HEMISPHERE DOMES

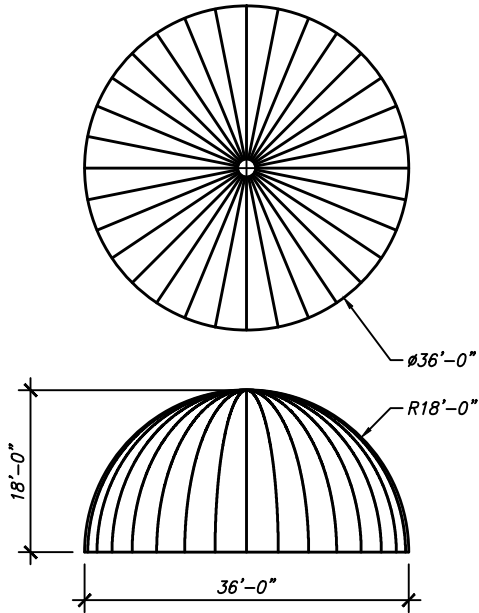


ARCHITECTURAL FIBERGLASS, INC.

8300 BESSEMER AVE., CLEVELAND, OHIO 44127-1839  
(216) 641-8300 - FAX:(216) 641-8150  
www.fiberglass-afi.com

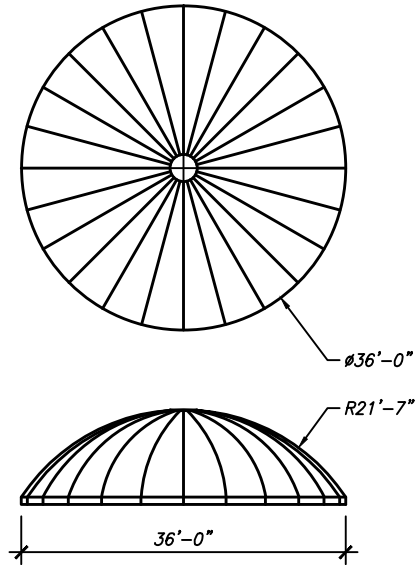
A-226

HEIGHT: 18'-0"  
WIDTH: 36'-0"



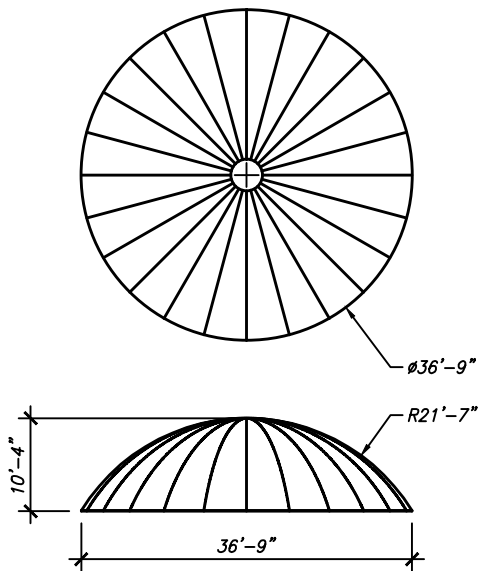
A-154

HEIGHT: 10'-6"  
WIDTH: 36'-0"



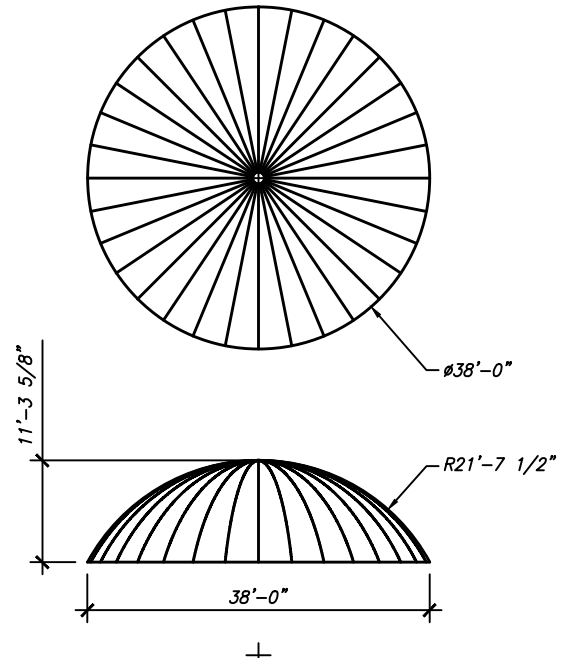
A-110

HEIGHT: 10'-4"  
WIDTH: 36'-9"



A-259

HEIGHT: 11'-3 5/8"  
WIDTH: 38'-0"



HEMI DOMES

SHEET NO.

A-40

2020

HEMISPHERE DOMES

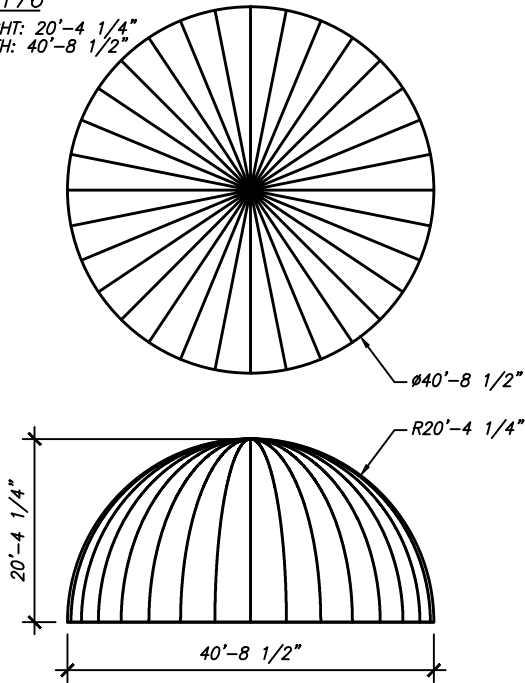


ARCHITECTURAL FIBERGLASS, INC.

8300 BESSEMER AVE., CLEVELAND, OHIO 44127-1839  
(216) 641-8300 - FAX:(216) 641-8150  
www.fiberglass-afi.com

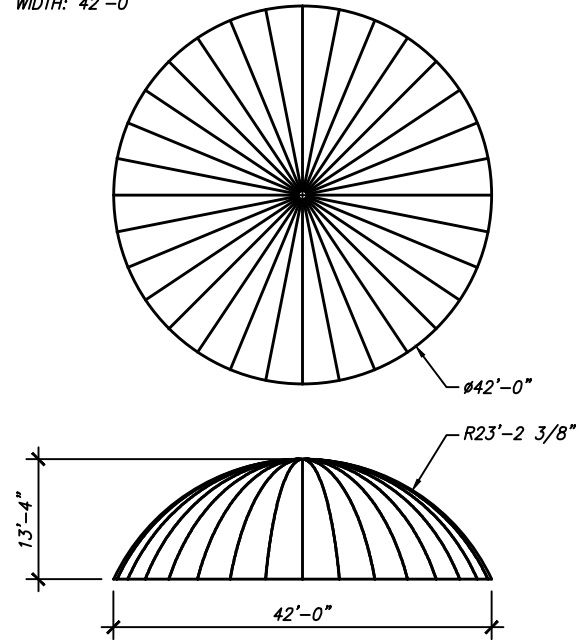
A-176

HEIGHT: 20'-4 1/4"  
WIDTH: 40'-8 1/2"



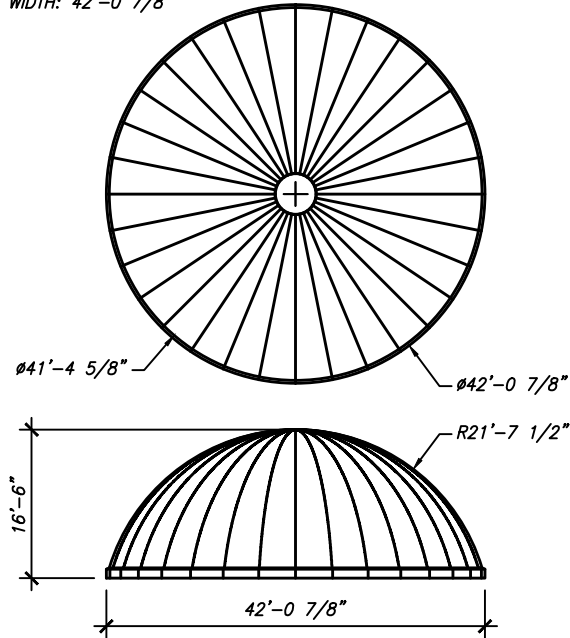
A-204

HEIGHT: 13'-4"  
WIDTH: 42'-0"



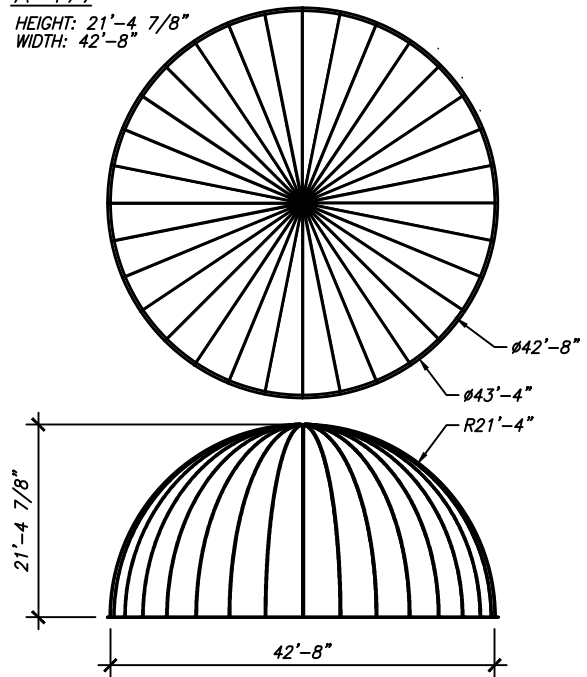
A-150

HEIGHT: 16'-6"  
WIDTH: 42'-0 7/8"



A-177

HEIGHT: 21'-4 7/8"  
WIDTH: 42'-8"



HEMI DOMES

SHEET NO.

A-41

2020

HEMISPHERE DOMES



ARCHITECTURAL FIBERGLASS, INC.

8300 BESSEMER AVE., CLEVELAND, OHIO 44127-1839  
(216) 641-8300 - FAX:(216) 641-8150  
www.fiberglass-afi.com

**NOTE:**

1. FIBERGLASS PRODUCTS ARE INTENDED TO BE INSTALLED ON FINISHED WATERTIGHT ROOF STRUCTURES AND ARE GENERALLY NOT OPEN TO THE BUILDING BELOW. FIBERGLASS PRODUCTS ARE DESIGNED TO SHED WATER BUT ARE NOT FACTORY INSULATED. FIBERGLASS PRODUCTS THAT ARE NOT INSULATED COULD CAUSE CONDENSATION INSIDE THE STRUCTURE. DECORATIVE FEATURES SUCH AS VENTS, LOUVERS, CROSSES, AND FINIALS CAN ALSO ALLOW MOISTURE TO ENTER THE STRUCTURE. ARCHITECTURAL FIBERGLASS, INC. (AFI) RECOMMENDS ROOFING OR WATERPROOFING UNDER THE FIBERGLASS STRUCTURE AND SEALING AROUND ALL ANCHOR BOLTS. FIELD APPLIED INSULATION AND FLASHING BY CONTRACTOR CAN REDUCE CONDENSATION AND SEAL THE STRUCTURE AGAINST MOISTURE.

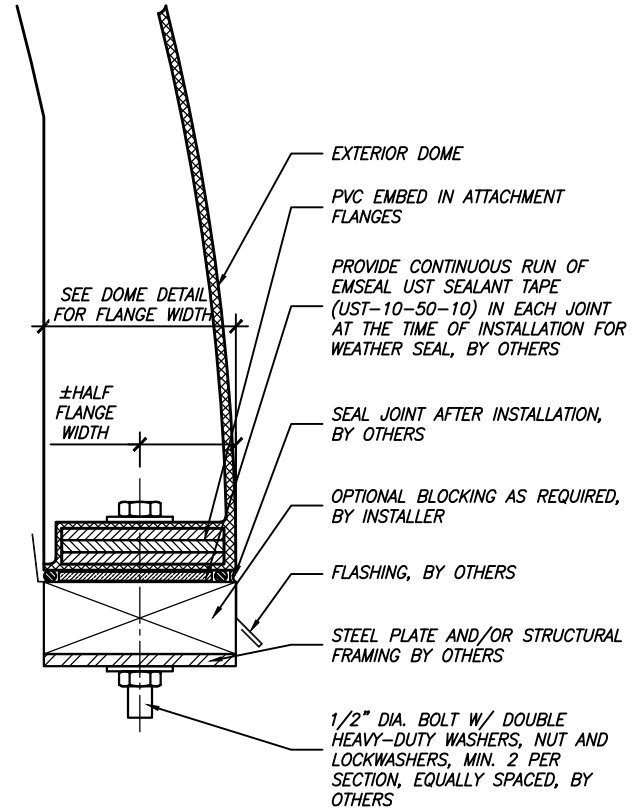
WATERTIGHTNESS IS A FUNCTION OF THE INSTALLATION AND THE SUBSTRATE TO WHICH THE FIBERGLASS MATERIAL IS BEING ATTACHED. FURNISHED FIBERGLASS ELEMENTS ARE STRICTLY FOR ORNAMENTAL PURPOSES AND THE SELLER IS NOT RESPONSIBLE FOR ANY OTHER INTENDED USE. AFI DOES NOT WARRANT WATERTIGHT FACTORY-ASSEMBLED OR FIELD-ASSEMBLED JOINTS. FACTORY-ASSEMBLED JOINTS HAVE THE POTENTIAL TO SEPARATE DURING SHIPPING AND INSTALLATION. AFI RECOMMENDS FINAL SEALANT APPLICATION AFTER ELEMENTS ARE INSTALLED, IN ADDITION, A CONTINUOUS RUN AT EACH JOINT OF EMSEAL UST SEALANT TAPE (ITEM UST-10-50-10;) BY EMSEAL JOINT SYSTEMS, LTD (WWW.EMSEAL.COM) (1-800-526-8365) OR EQUAL. REFERENCE TYPICAL DETAIL. IF WATERTIGHTNESS IS REQUIRED, AFI RECOMMENDS THAT A LICENSED WATERPROOFING CONSULTANT REVIEW THE DETAILS AND PROVIDES RECOMMENDATIONS AS REQUIRED FOR THIS SPECIFIC APPLICATION.

2. CONTRACTOR IS RESPONSIBLE FOR ANY ENGINEERING REQUIREMENTS ASSOCIATED WITH THE STRUCTURE TO WHICH FIBERGLASS ELEMENTS ARE ATTACHED, AND WIND LOAD FORCES IMPOSED BY THE FIBERGLASS STRUCTURE.

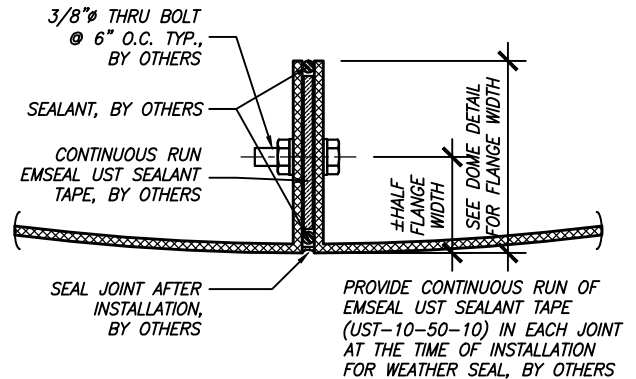
3. LIGHTNING PROTECTION IS NOT INCLUDED UNLESS NOTED ON THE SHOP DRAWINGS. LIGHTNING PROTECTION IS RECOMMENDED AND CAN BE INCORPORATED UPON REQUEST. A LICENSED CONTRACTOR WILL NEED TO FIELD GROUND ANY LIGHTNING PROTECTION PROVIDED WITH THE FIBERGLASS ELEMENTS.

4. AFI RECOMMENDS ALL 3/8" DIA. THRU BOLTS TO BE STAINLESS STEEL TYPE 316, U.N.O. 1/2", 5/8", OR 3/4" DIA. (AS INDICATED) THRU BOLTS TO BE GRADE 5, GALVANIZED, U.N.O., BY OTHERS.

5. APPROVAL OF DRAWING IMPLIES THAT THE CONTRACTOR HAS VERIFIED ALL FIELD MEASUREMENTS PRIOR TO MANUFACTURE.



**TYPICAL DOME ATTACHMENT**



**TYPICAL EXTERIOR DOME JOINT DETAIL**

DOMES  
SHEET NO.  
**SD-1**  
2020

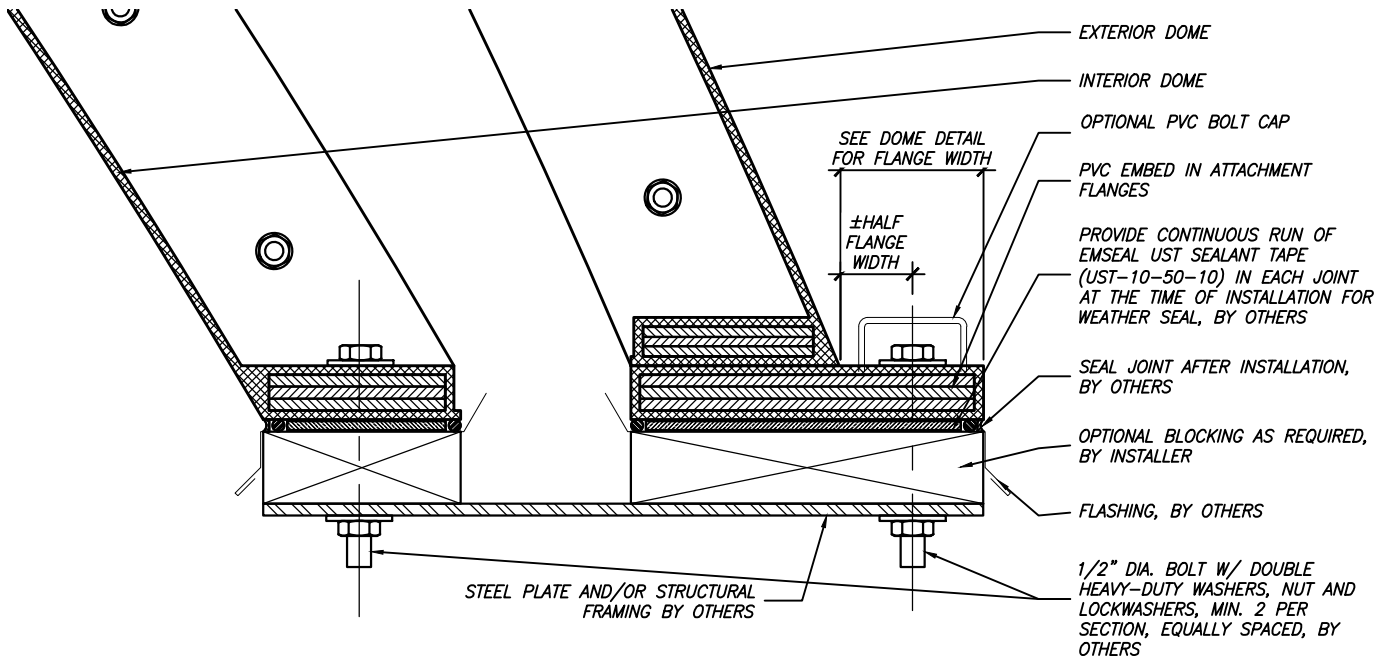
ATTACHMENT  
DETAILS



**ARCHITECTURAL FIBERGLASS, INC.**

8300 BESSEMER AVE., CLEVELAND, OHIO 44127-1839  
(216) 641-8300 - FAX:(216) 641-8150  
www.fiberglass-afi.com





TYPICAL DOME ATTACHMENT  
WITH INTERIOR AND EXTERIOR DOMES

DOMES

SHEET NO.

**SD-2**

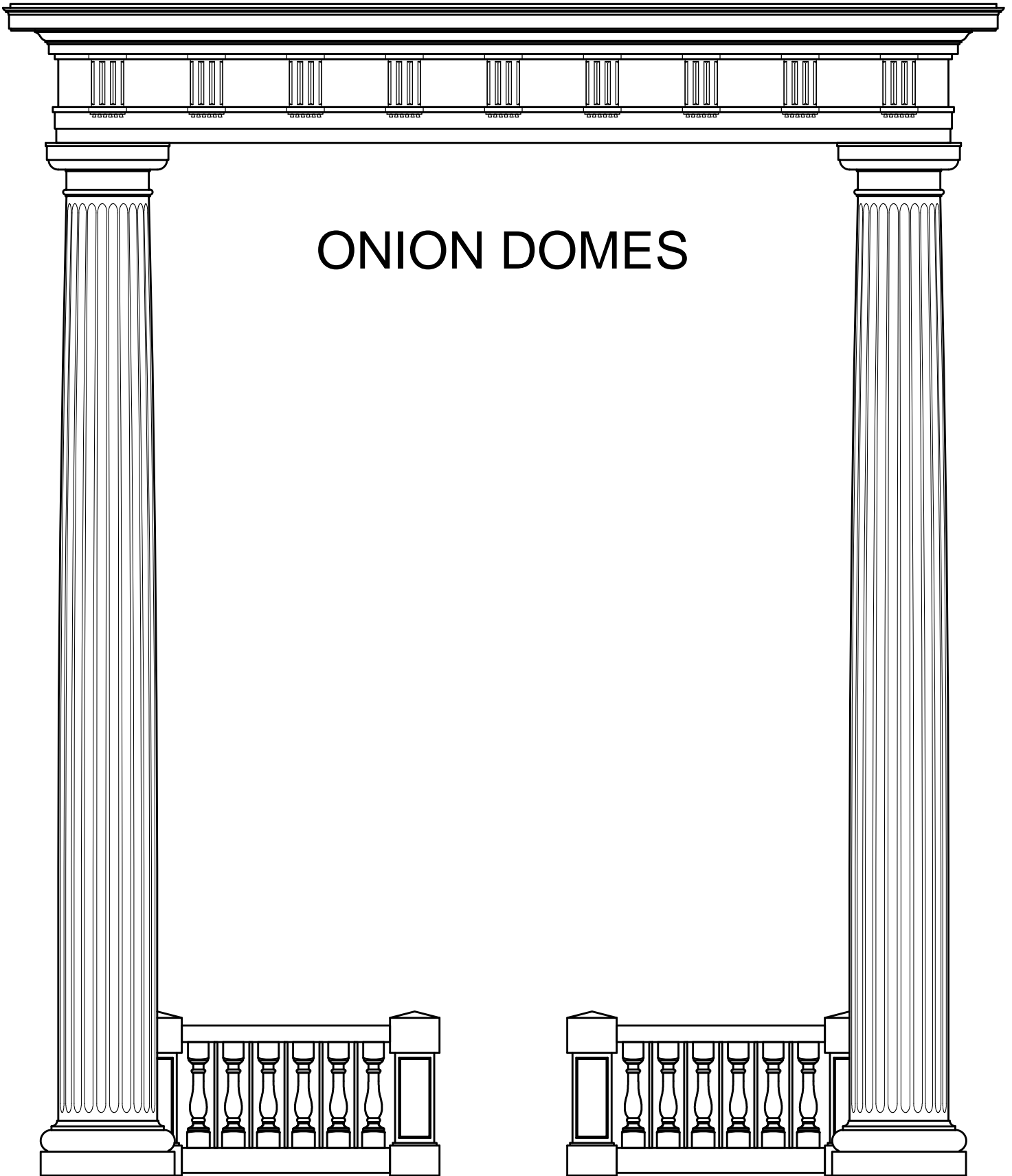
2020

ATTACHMENT  
DETAILS



**ARCHITECTURAL FIBERGLASS, INC.**

8300 BESSEMER AVE., CLEVELAND, OHIO 44127-1839  
(216) 641-8300 - FAX:(216) 641-8150  
www.fiberglass-afi.com



# ONION DOMES

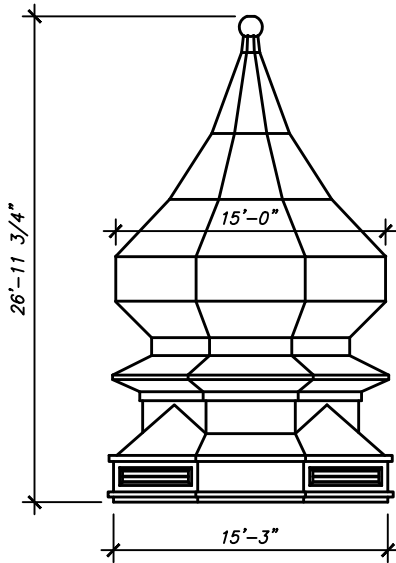


**ARCHITECTURAL FIBERGLASS, INC.**

8300 Bessemer Ave. \* Cleveland, OH 44127-1839 \* 216-641-8300 \* Fax 216-641-8150 \* [www.fiberglass-afi.com](http://www.fiberglass-afi.com)

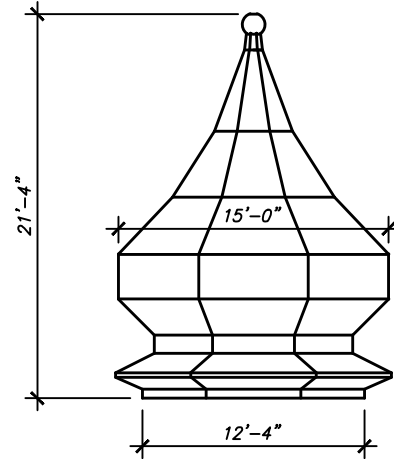
OD-101

HEIGHT: 26'-11 3/4"  
WIDTH: 15'-0"  
FOOTPRINT: 15'-3"  
+ FACETED +



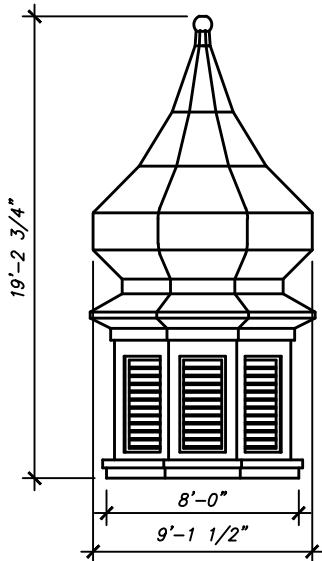
OD-102

HEIGHT: 21'-4"  
WIDTH: 15'-0"  
FOOTPRINT: 12'-4"  
+ FACETED +



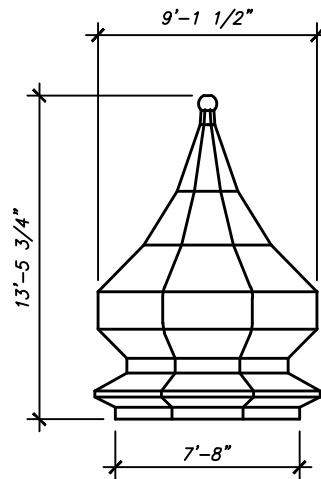
OD-103

HEIGHT: 19'-2 3/4"  
WIDTH: 9'-1 1/2"  
FOOTPRINT: 8'-0"  
+ FACETED +



OD-104

HEIGHT: 13'-5 3/4"  
WIDTH: 9'-1 1/2"  
FOOTPRINT: 7'-8"  
+ FACETED +



ONION DOMES

SHEET NO.

**OD-01**

2020

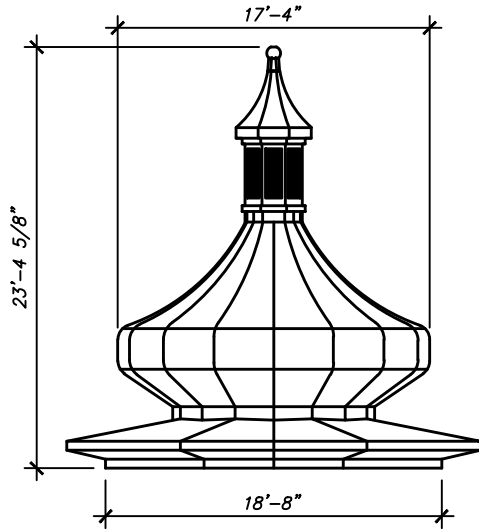


**ARCHITECTURAL FIBERGLASS, INC.**

8300 BESSEMER AVE., CLEVELAND, OHIO 44127-1839  
(216) 641-8300 - FAX:(216) 641-8150  
www.fiberglass-afi.com

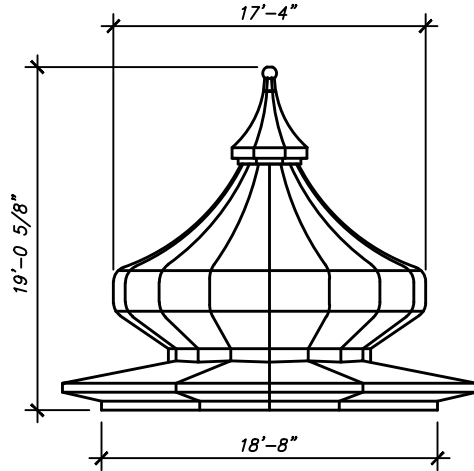
OD-105

HEIGHT: 23'-4 5/8"  
WIDTH: 17'-4"  
FOOTPRINT: 18'-8"  
+ FACETED +



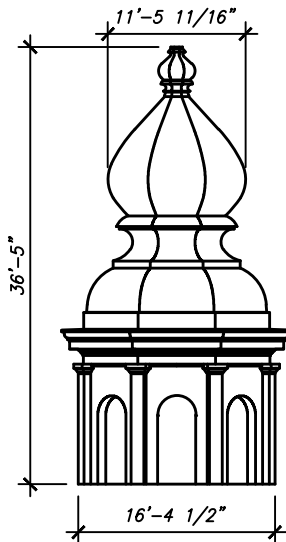
OD-106

HEIGHT: 19'-0 5/8"  
WIDTH: 17'-4"  
FOOTPRINT: 18'-8"  
+ FACETED +



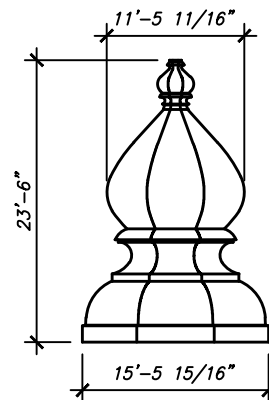
OD-107

HEIGHT: 36'-5"  
WIDTH: 11'-5 11/16"  
FOOTPRINT: 16'-4 1/2"  
+ FACETED +



OD-108

HEIGHT: 23'-6"  
WIDTH: 11'-5 11/16"  
FOOTPRINT: 15'-5 15/16"  
+ FACETED +



ONION DOMES

SHEET NO.

**OD-02**

2020

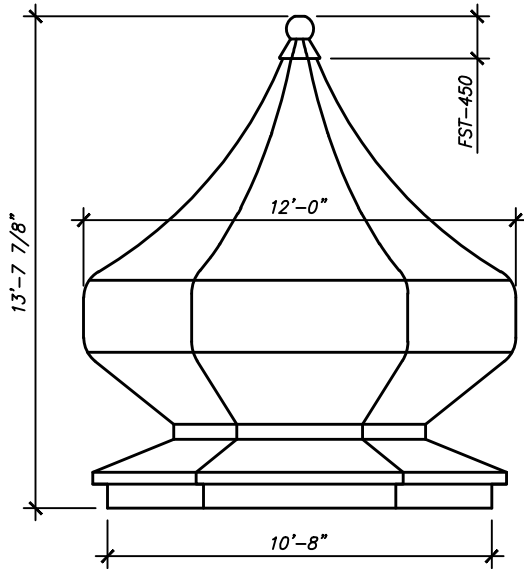


**ARCHITECTURAL FIBERGLASS, INC.**

8300 BESSEMER AVE., CLEVELAND, OHIO 44127-1839  
(216) 641-8300 - FAX:(216) 641-8150  
www.fiberglass-afi.com

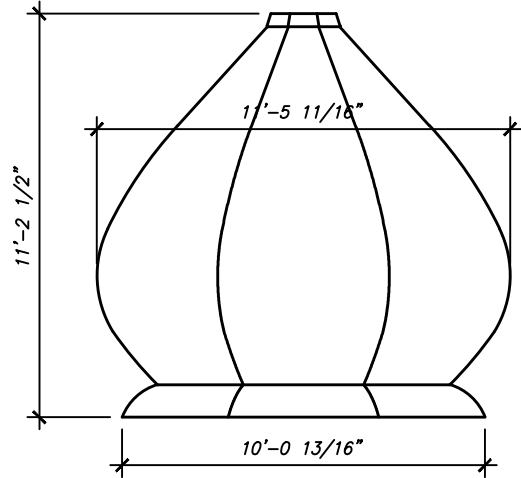
OD-109

HEIGHT: 13'-7 7/8"  
WIDTH: 12'-0"  
FOOTPRINT: 10'-8"  
+ FACETED +



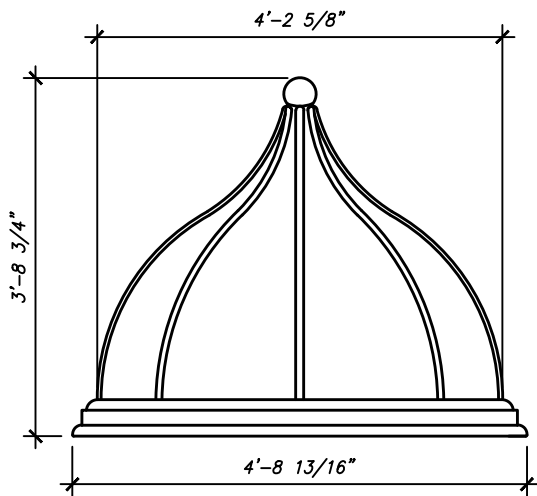
OD-110

HEIGHT: 11'-2 1/2"  
WIDTH: 11'-5 11/16"  
FOOTPRINT: 10'-0 13/16"  
+ FACETED +



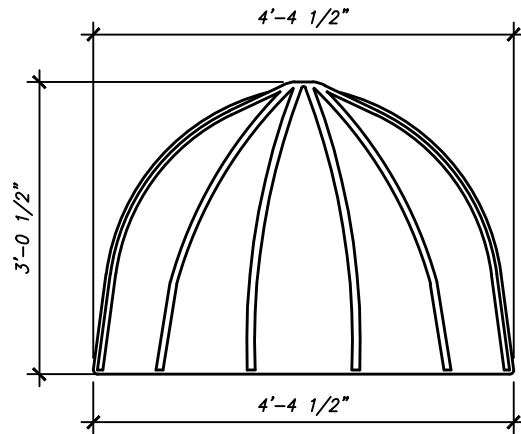
OD-111

HEIGHT: 3'-8 3/4"  
WIDTH: 4'-2 5/8"  
FOOTPRINT: 4'-8 13/16"



OD-112

HEIGHT: 3'-0 1/2"  
WIDTH: 4'-4 1/2"  
FOOTPRINT: 4'-4 1/2"



ONION DOMES

SHEET NO.

**OD-03**

2020

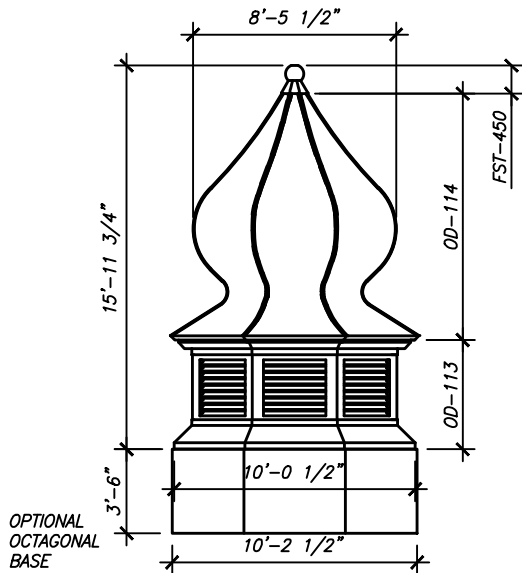


**ARCHITECTURAL FIBERGLASS, INC.**

8300 BESSEMER AVE., CLEVELAND, OHIO 44127-1839  
(216) 641-8300 - FAX:(216) 641-8150  
www.fiberglass-afi.com

OD-113

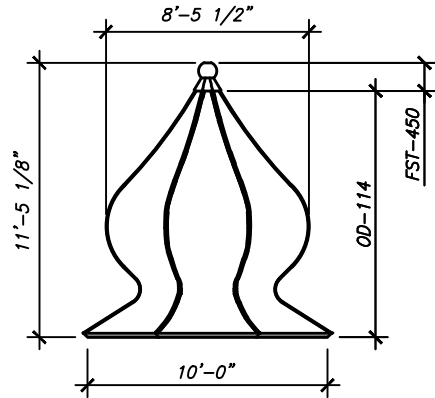
HEIGHT: 15'-11 3/4"  
WIDTH: 10'-0 1/2"  
FOOTPRINT: 10'-0 1/2"  
+ FACETED +



OPTIONAL  
OCTAGONAL  
BASE

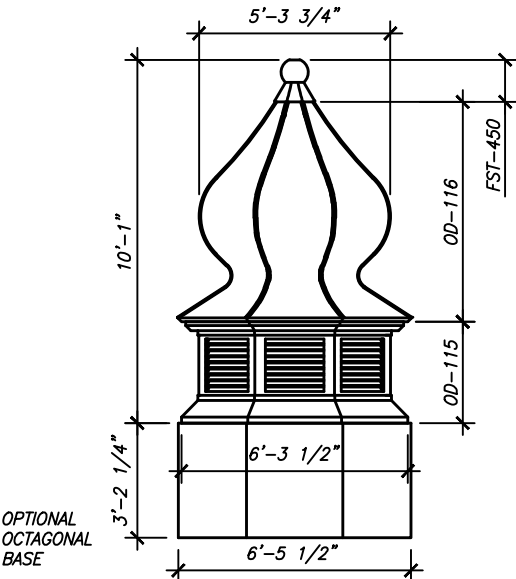
OD-114

HEIGHT: 11'-5 1/8"  
WIDTH: 8'-5 1/2"  
FOOTPRINT: 10'-0"  
+ FACETED +



OD-115

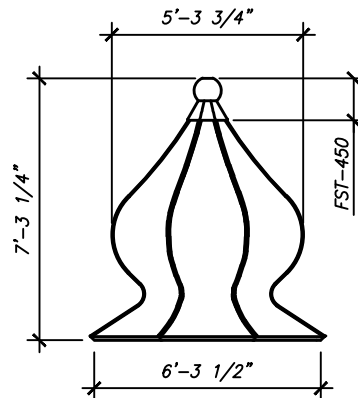
HEIGHT: 10'-1"  
WIDTH: 5'-3 3/4"  
FOOTPRINT: 6'-3 1/2"  
+ FACETED +



OPTIONAL  
OCTAGONAL  
BASE

OD-116

HEIGHT: 7'-3 1/4"  
WIDTH: 5'-3 3/4"  
FOOTPRINT: 6'-3 1/2"  
+ FACETED +



ONION DOMES

SHEET NO.

OD-04

2020

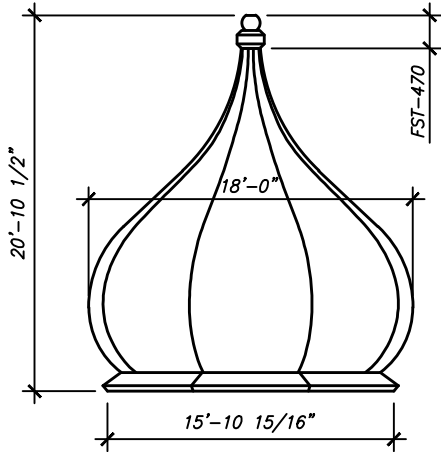


ARCHITECTURAL FIBERGLASS, INC.

8300 BESSEMER AVE., CLEVELAND, OHIO 44127-1839  
(216) 641-8300 - FAX:(216) 641-8150  
www.fiberglass-afi.com

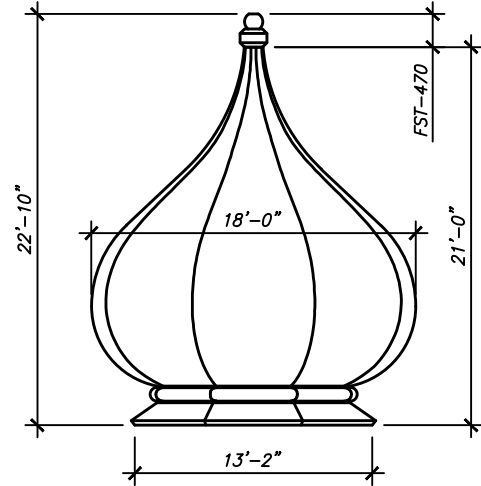
OD-117

HEIGHT: 21'-6 1/2"  
WIDTH: 18'-0"  
FOOTPRINT: 15'-10 15/16"



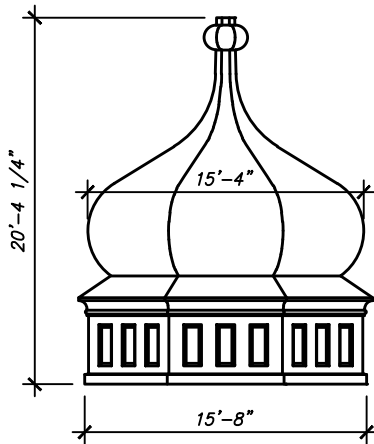
OD-118

HEIGHT: 23'-6"  
WIDTH: 18'-0"  
FOOTPRINT: 13'-2"



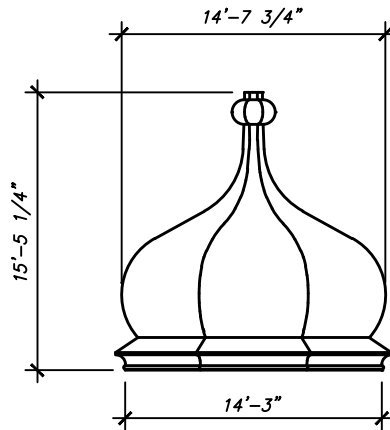
OD-119

HEIGHT: 20'-4 1/4"  
WIDTH: 15'-4"  
FOOTPRINT: 15'-8"  
+ FACETED +



OD-120

HEIGHT: 15'-5 1/4"  
WIDTH: 14'-7 3/4"  
FOOTPRINT: 14'-3"  
+ FACETED +



ONION DOMES

SHEET NO.

**OD-05**

2020

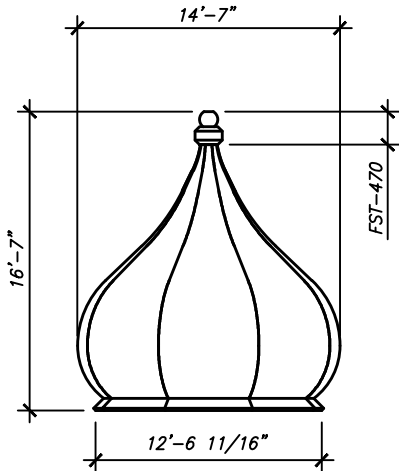


**ARCHITECTURAL FIBERGLASS, INC.**

8300 BESSEMER AVE., CLEVELAND, OHIO 44127-1839  
(216) 641-8300 - FAX:(216) 641-8150  
www.fiberglass-afi.com

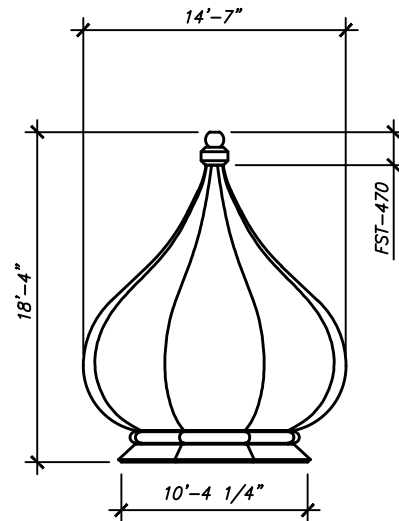
OD-121

HEIGHT: 17'-1 1/4"  
WIDTH: 14'-7"  
FOOTPRINT: 12'-6 11/16"



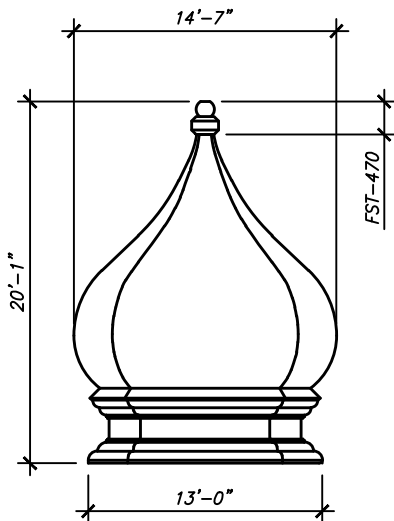
OD-122

HEIGHT: 19'-0"  
WIDTH: 14'-7"  
FOOTPRINT: 10'-4 1/4"



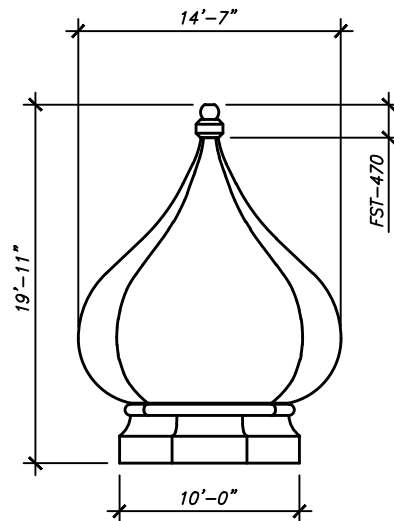
OD-123

HEIGHT: 20'-1 1/4"  
WIDTH: 14'-7"  
FOOTPRINT: 13'-0"



OD-124

HEIGHT: 20'-7"  
WIDTH: 14'-7"  
FOOTPRINT: 10'-0"



ONION DOMES

SHEET NO.

**OD-06**

2020



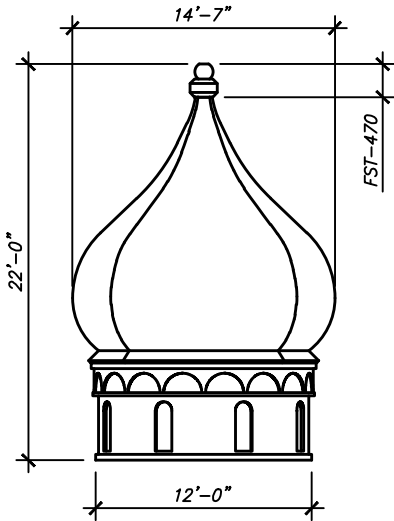
**ARCHITECTURAL FIBERGLASS, INC.**

8300 BESSEMER AVE., CLEVELAND, OHIO 44127-1839  
(216) 641-8300 - FAX:(216) 641-8150  
www.fiberglass-afi.com



OD-125

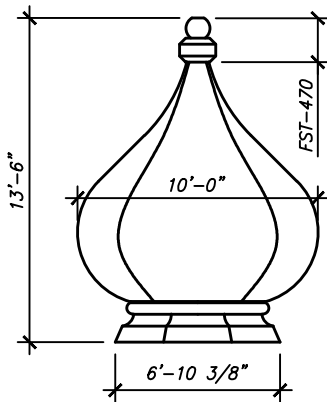
HEIGHT: 22'-0"  
WIDTH: 14'-7"  
FOOTPRINT: 12'-0"



OD-126 IS DISCONTINUED

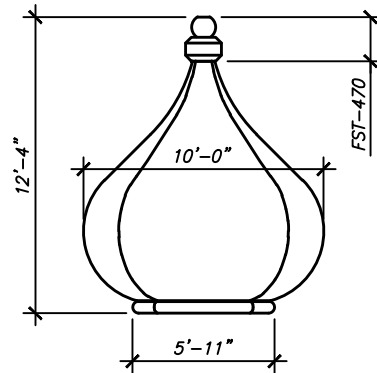
OD-127

HEIGHT: 13'-6"  
WIDTH: 10'-0"  
FOOTPRINT: 6'-10 3/8"



OD-128

HEIGHT: 12'-4"  
WIDTH: 10'-0"  
FOOTPRINT: 5'-11"



ONION DOMES

SHEET NO.

**OD-07**

2020

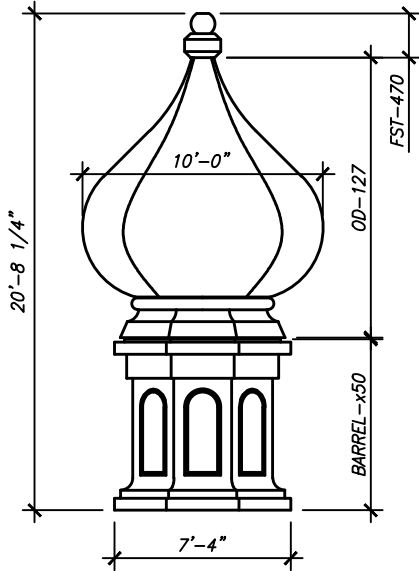


**ARCHITECTURAL FIBERGLASS, INC.**

8300 BESSEMER AVE., CLEVELAND, OHIO 44127-1839  
(216) 641-8300 - FAX:(216) 641-8150  
www.fiberglass-afi.com

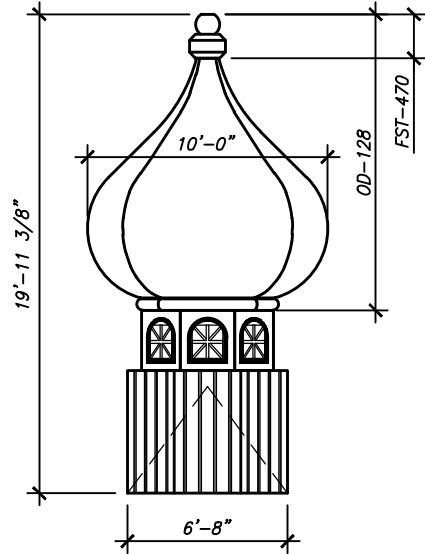
OD-129

HEIGHT: 20'-8 1/4"  
WIDTH: 10'-0"  
FOOTPRINT: 7'-4"



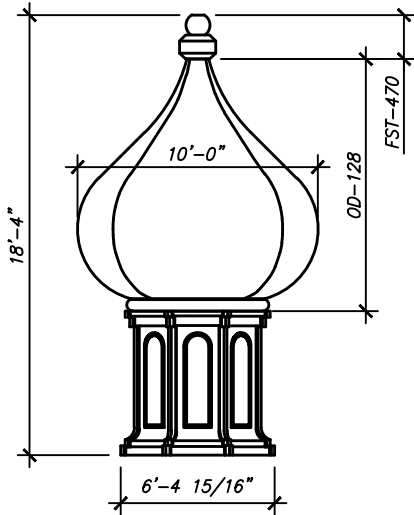
OD-130

HEIGHT: 19'-11 3/8"  
WIDTH: 10'-0"  
FOOTPRINT: 6'-8"



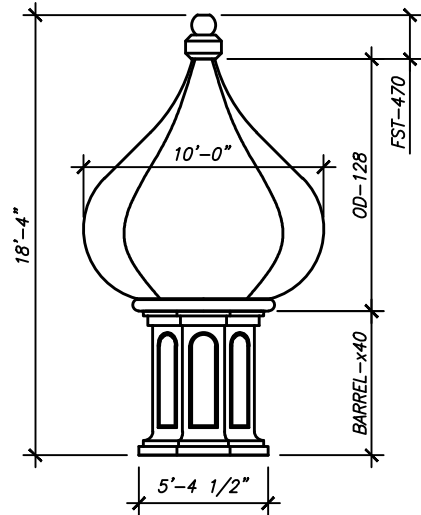
OD-131

HEIGHT: 18'-4"  
WIDTH: 10'-0"  
FOOTPRINT: 6'-4 15/16"



OD-132

HEIGHT: 18'-4"  
WIDTH: 10'-0"  
FOOTPRINT: 5'-4 1/2"



ONION DOMES

SHEET NO.

**OD-08**

2020

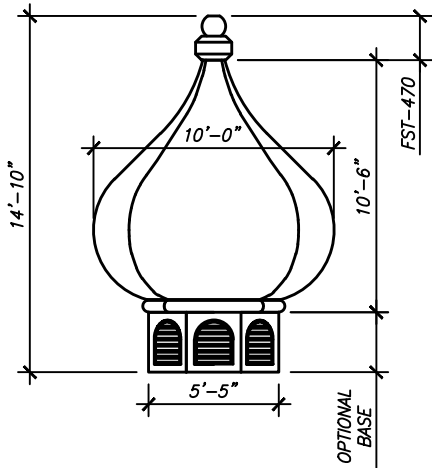


**ARCHITECTURAL FIBERGLASS, INC.**

8300 BESSEMER AVE., CLEVELAND, OHIO 44127-1839  
(216) 641-8300 - FAX:(216) 641-8150  
www.fiberglass-afi.com

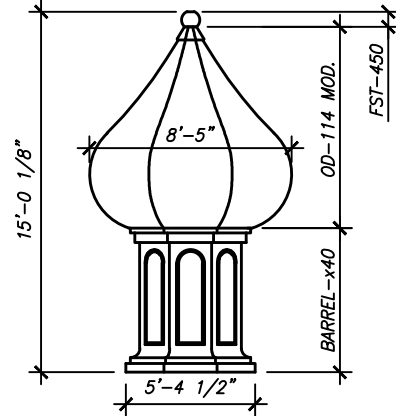
OD-133

HEIGHT: 14'-10"  
WIDTH: 10'-0"  
FOOTPRINT: 5'-5"



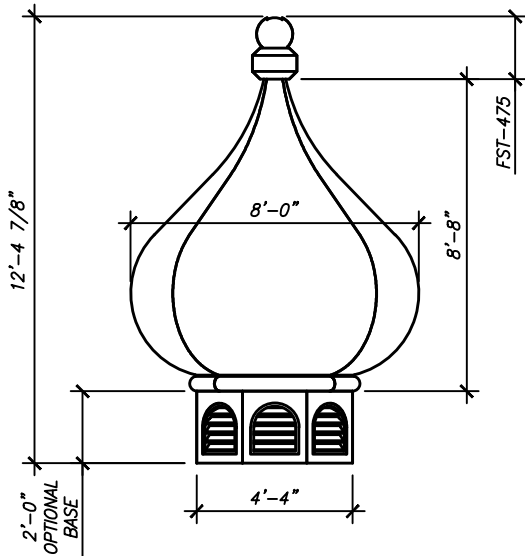
OD-134

HEIGHT: 15'-0 1/8"  
WIDTH: 8'-5"  
FOOTPRINT: 5'-4 1/2"  
+ FACETED +



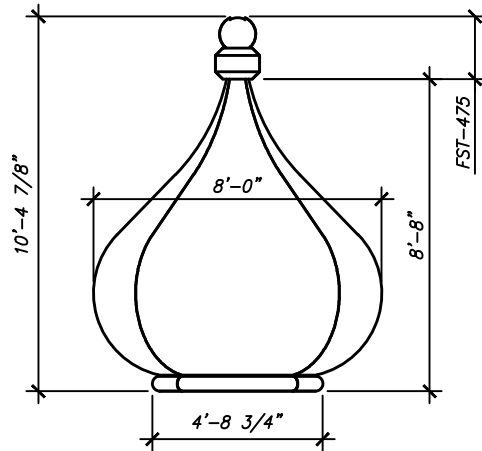
OD-169

HEIGHT: 12'-4 7/8"  
WIDTH: 8'-0"  
FOOTPRINT: 4'-4"



OD-170

HEIGHT: 10'-4 7/8"  
WIDTH: 8'-0"  
FOOTPRINT: 4'-8 3/4"



ONION DOMES

SHEET NO.

**OD-09**

2020

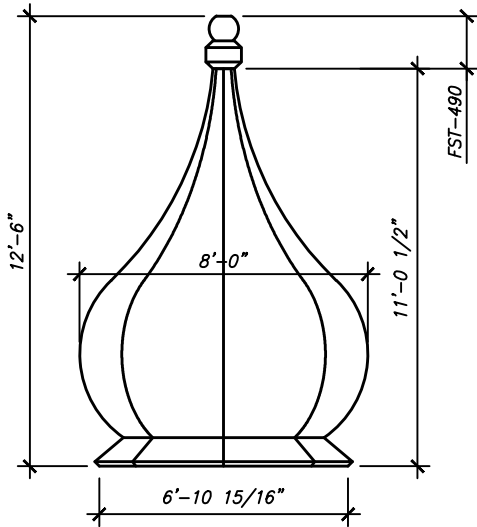


**ARCHITECTURAL FIBERGLASS, INC.**

8300 BESSEMER AVE., CLEVELAND, OHIO 44127-1839  
(216) 641-8300 - FAX:(216) 641-8150  
www.fiberglass-afi.com

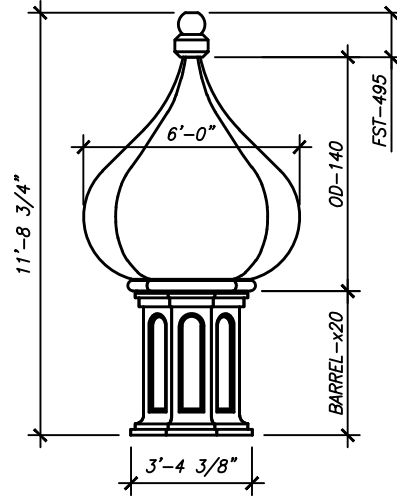
OD-135

HEIGHT: 12'-6"  
WIDTH: 8'-0"  
FOOTPRINT: 6'-10 15/16"



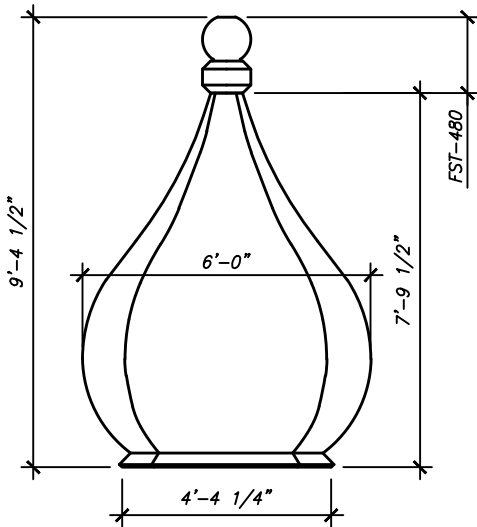
OD-136

HEIGHT: 11'-8 3/4"  
WIDTH: 6'-0"  
FOOTPRINT: 3'-4 3/8"



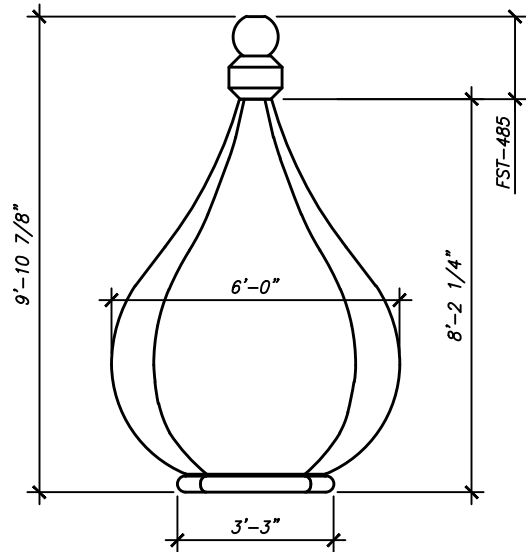
OD-137

HEIGHT: 9'-4 1/2"  
WIDTH: 6'-0"  
FOOTPRINT: 4'-4 1/4"



OD-138

HEIGHT: 9'-10 7/8"  
WIDTH: 6'-0"  
FOOTPRINT: 3'-3"



ONION DOMES

SHEET NO.

**OD-10**

2020

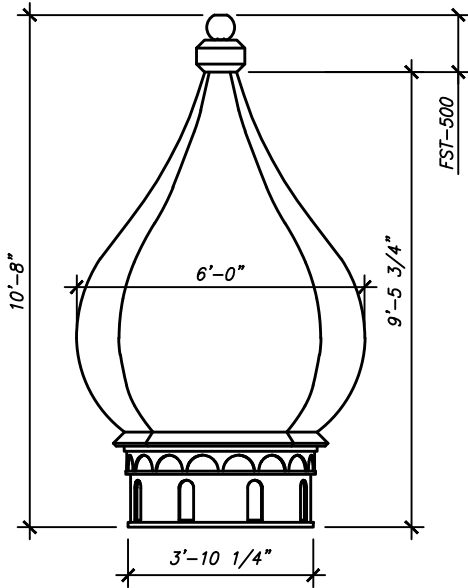


**ARCHITECTURAL FIBERGLASS, INC.**

8300 BESSEMER AVE., CLEVELAND, OHIO 44127-1839  
(216) 641-8300 - FAX:(216) 641-8150  
www.fiberglass-afi.com

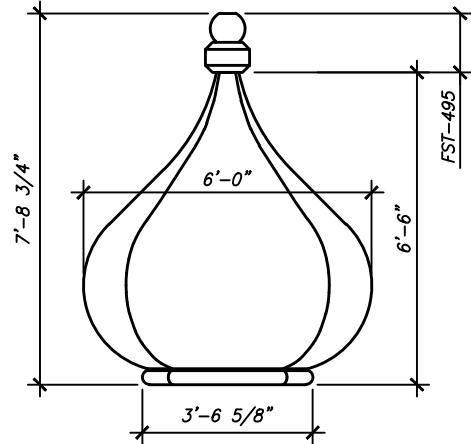
OD-139

HEIGHT: 10'-8"  
WIDTH: 6'-0"  
FOOTPRINT: 3'-10 1/4"



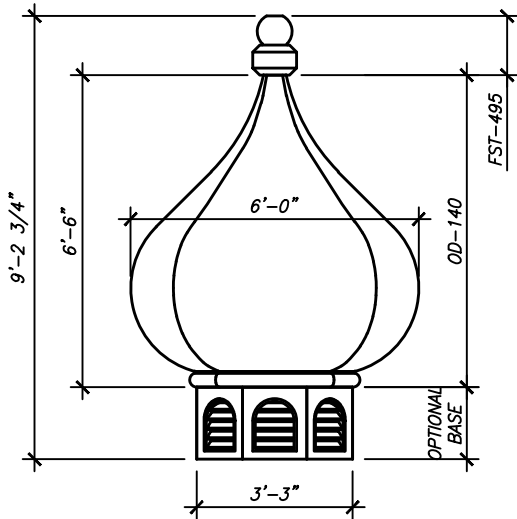
OD-140

HEIGHT: 7'-8 3/4"  
WIDTH: 6'-0"  
FOOTPRINT: 3'-6 5/8"



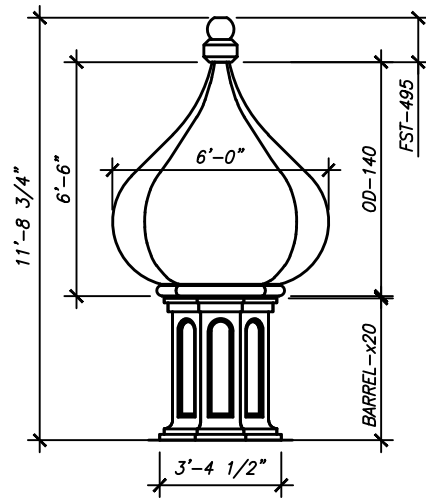
OD-171

HEIGHT: 9'-2 3/4"  
WIDTH: 6'-0"  
FOOTPRINT: 3'-3"



OD-141

HEIGHT: 11'-8 3/4"  
WIDTH: 6'-0"



ONION DOMES

SHEET NO.

**OD-11**

2020

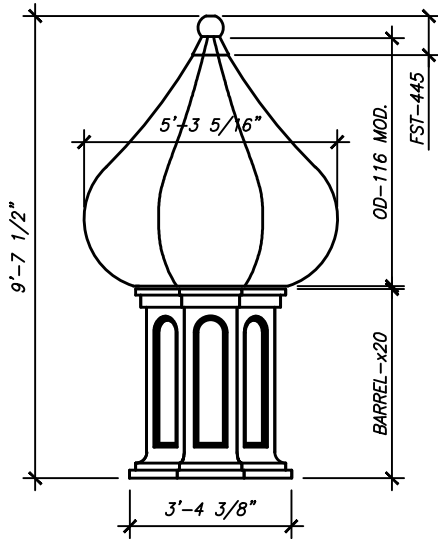


**ARCHITECTURAL FIBERGLASS, INC.**

8300 BESSEMER AVE., CLEVELAND, OHIO 44127-1839  
(216) 641-8300 - FAX:(216) 641-8150  
www.fiberglass-afi.com

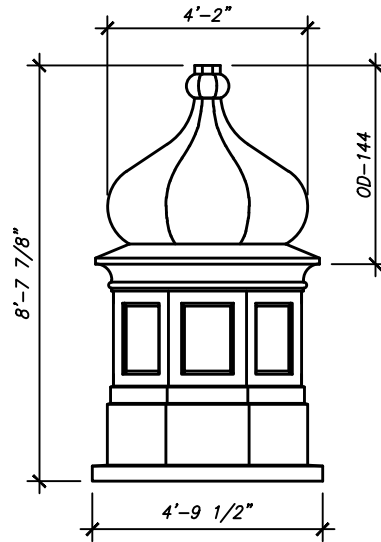
OD-142

HEIGHT: 9'-7 1/2"  
WIDTH: 5'-3 5/16"  
FOOTPRINT: 3'-4 3/8"



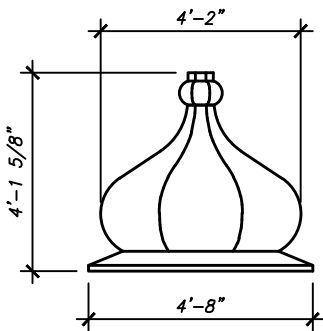
OD-143

HEIGHT: 8'-7 7/8"  
WIDTH: 4'-2"  
FOOTPRINT: 4'-9 1/2"  
+ FACETED +



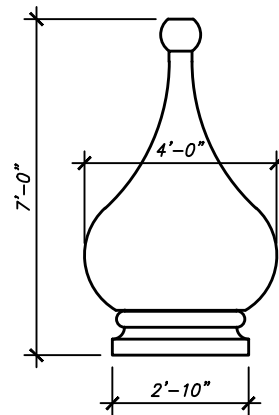
OD-144

HEIGHT: 4'-1 5/8"  
WIDTH: 4'-2"  
FOOTPRINT: 4'-8"  
+ FACETED +



OD-145

HEIGHT: 7'-0"  
WIDTH: 4'-0"  
FOOTPRINT: 2'-10"  
DOME SQ.FT.: 64.80



ONION DOMES

SHEET NO.

**OD-12**

2020

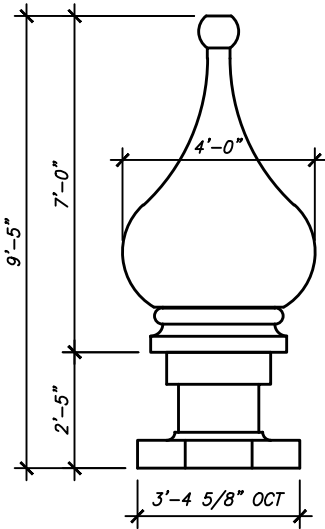


**ARCHITECTURAL FIBERGLASS, INC.**

8300 BESSEMER AVE., CLEVELAND, OHIO 44127-1839  
(216) 641-8300 - FAX:(216) 641-8150  
www.fiberglass-afi.com

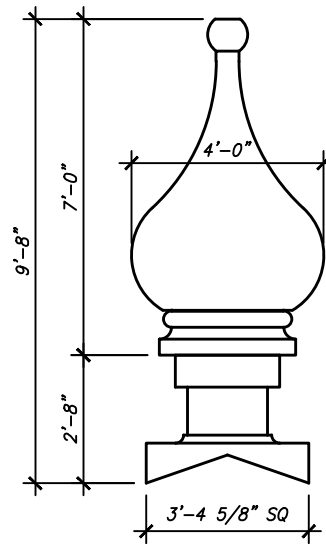
OD-146

HEIGHT: 9'-5"  
WIDTH: 4'-0"  
FOOTPRINT: 3'-4 5/8" OCTAGONAL



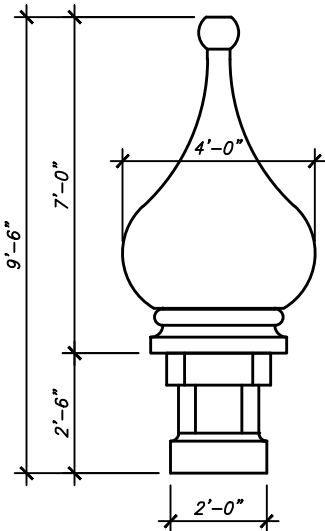
OD-147

HEIGHT: 9'-8"  
WIDTH: 4'-0"  
FOOTPRINT: 3'-4 5/8" SQUARE



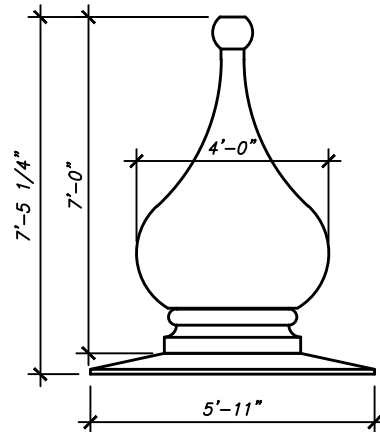
OD-148

HEIGHT: 9'-6"  
WIDTH: 4'-0"  
FOOTPRINT: 2'-0"



OD-168

HEIGHT: 7'-5 1/4"  
WIDTH: 4'-0"  
FOOTPRINT: 5'-11"



ONION DOMES

SHEET NO.

**OD-13**

2020

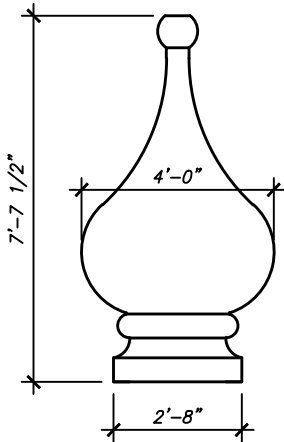


**ARCHITECTURAL FIBERGLASS, INC.**

8300 BESSEMER AVE., CLEVELAND, OHIO 44127-1839  
(216) 641-8300 - FAX:(216) 641-8150  
www.fiberglass-afi.com

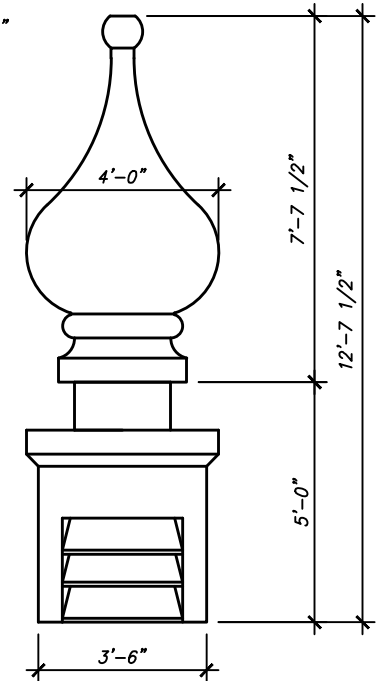
OD-149

HEIGHT: 7'-7 1/2"  
WIDTH: 4'-0"  
FOOTPRINT: 2'-8"



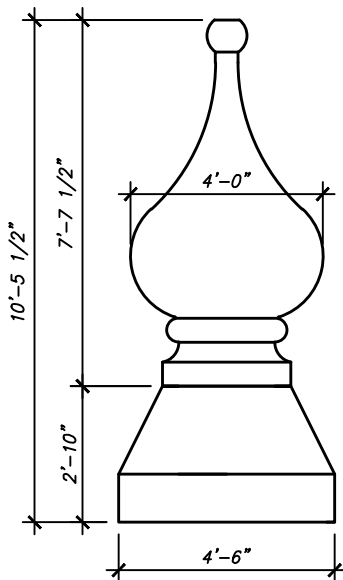
OD-150

HEIGHT: 12'-7 1/2"  
WIDTH: 4'-0"  
FOOTPRINT: 3'-6"



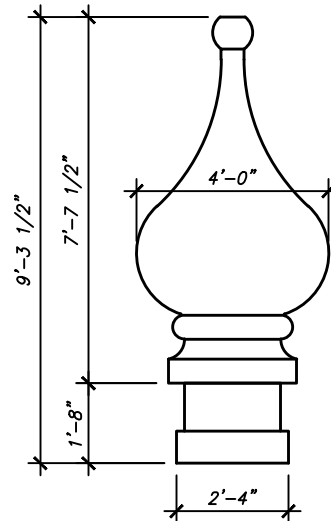
OD-151

HEIGHT: 10'-5 1/2"  
WIDTH: 4'-0"  
FOOTPRINT: 4'-6"



OD-152

HEIGHT: 9'-3 1/2"  
WIDTH: 4'-0"  
FOOTPRINT: 2'-4"



ONION DOMES

SHEET NO.

OD-14

2020



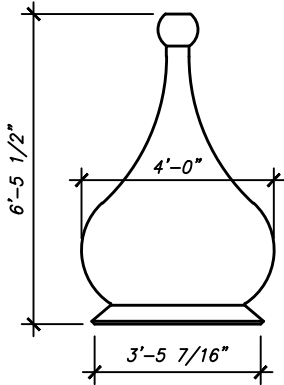
ARCHITECTURAL FIBERGLASS, INC.

8300 BESSEMER AVE., CLEVELAND, OHIO 44127-1839  
(216) 641-8300 - FAX:(216) 641-8150  
www.fiberglass-afi.com



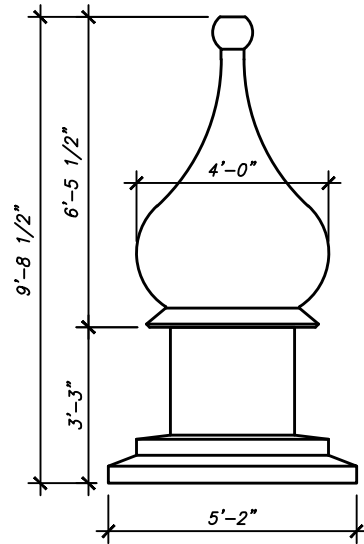
OD-153

HEIGHT: 6'-5 1/2"  
WIDTH: 4'-0"  
FOOTPRINT: 3'-5 7/16"



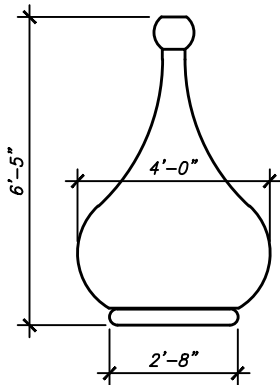
OD-154

HEIGHT: 9'-8 1/2"  
WIDTH: 4'-0"  
FOOTPRINT: 5'-2"



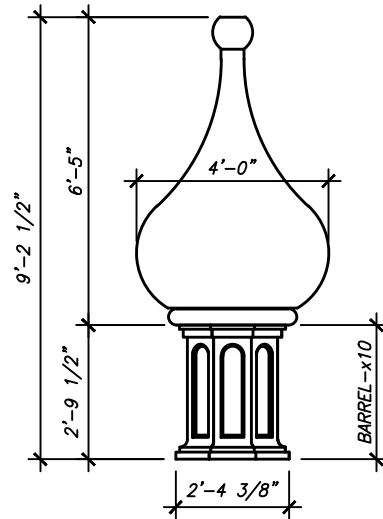
OD-155

HEIGHT: 6'-5"  
WIDTH: 4'-0"  
FOOTPRINT: 2'-8"



OD-156

HEIGHT: 9'-2 1/2"  
WIDTH: 4'-0"  
FOOTPRINT: 2'-4 3/8"



ONION DOMES

SHEET NO.

**OD-15**

2020

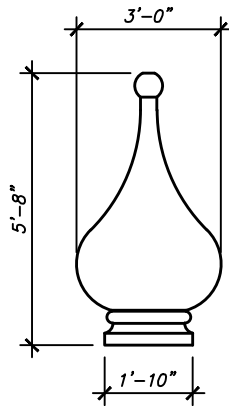


**ARCHITECTURAL FIBERGLASS, INC.**

8300 BESSEMER AVE., CLEVELAND, OHIO 44127-1839  
(216) 641-8300 - FAX:(216) 641-8150  
www.fiberglass-afi.com

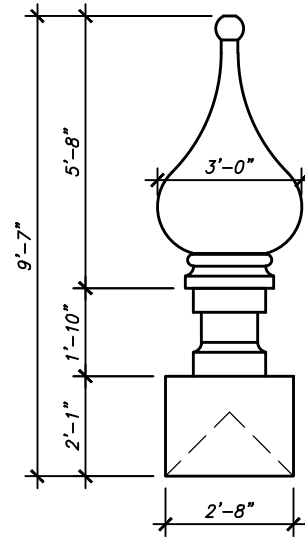
OD-157

HEIGHT: 5'-8"  
WIDTH: 3'-0"  
FOOTPRINT: 1'-10"



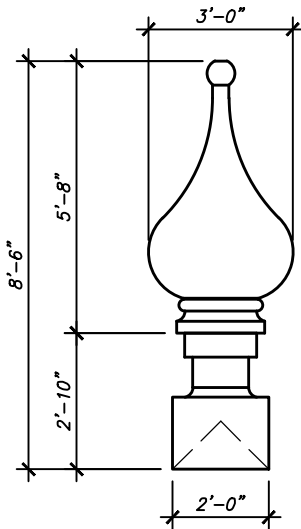
OD-158

HEIGHT: 9'-7"  
WIDTH: 3'-0"  
FOOTPRINT: 2'-8"



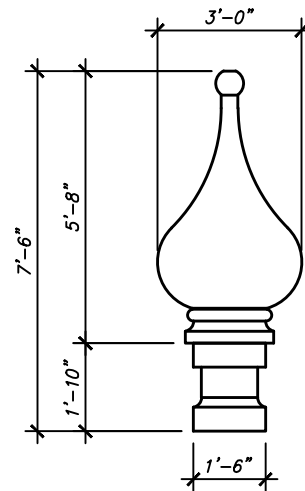
OD-159

HEIGHT: 8'-6"  
WIDTH: 3'-0"  
FOOTPRINT: 2'-0"



OD-160

HEIGHT: 7'-6"  
WIDTH: 3'-0"  
FOOTPRINT: 1'-6"



ONION DOMES

SHEET NO.

**OD-16**

2020

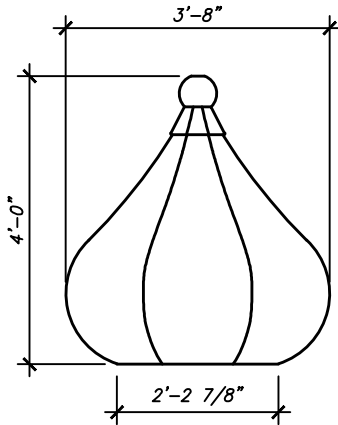


**ARCHITECTURAL FIBERGLASS, INC.**

8300 BESSEMER AVE., CLEVELAND, OHIO 44127-1839  
(216) 641-8300 - FAX:(216) 641-8150  
www.fiberglass-afi.com

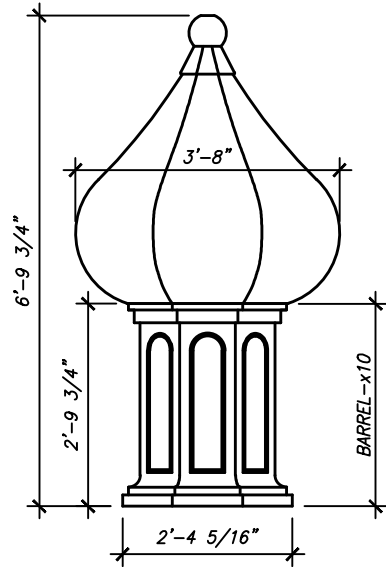
OD-163

HEIGHT: 4'-0"  
WIDTH: 3'-8"  
FOOTPRINT: 2'-2 7/8"  
+ FACETED +



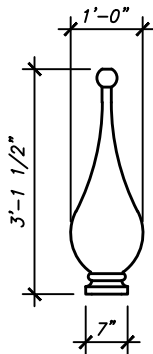
OD-164

HEIGHT: 6'-9 3/4"  
WIDTH: 3'-8"  
FOOTPRINT: 2'-4 5/16"  
+ FACETED +



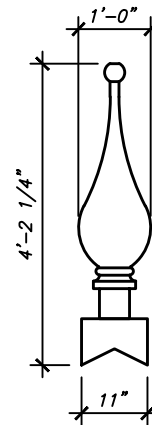
OD-161

HEIGHT: 3'-1 1/2"  
WIDTH: 1'-0"  
FOOTPRINT: 7"



OD-162

HEIGHT: 4'-2 1/4"  
WIDTH: 1'-0"  
FOOTPRINT: 11"



ONION DOMES

SHEET NO.

**OD-17**

2020

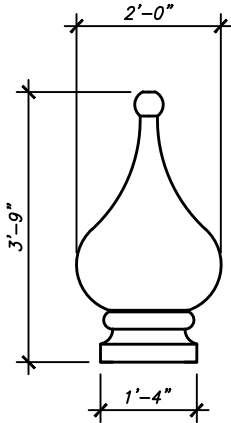


**ARCHITECTURAL FIBERGLASS, INC.**

8300 BESSEMER AVE., CLEVELAND, OHIO 44127-1839  
(216) 641-8300 - FAX:(216) 641-8150  
www.fiberglass-afi.com

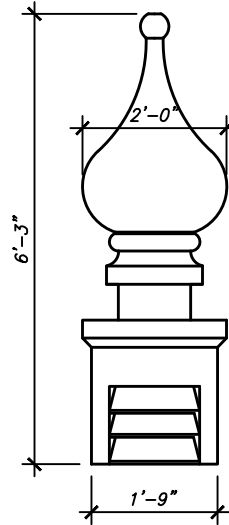
OD-165

HEIGHT: 3'-9"  
WIDTH: 2'-0"  
FOOTPRINT: 1'-4"  
DOME SQ.FT.: 17.96



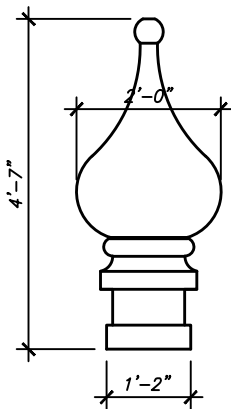
OD-166

HEIGHT: 6'-3"  
WIDTH: 2'-0"  
FOOTPRINT: 1'-9"



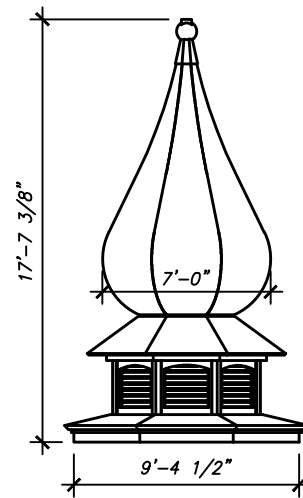
OD-167

HEIGHT: 4'-7"  
WIDTH: 2'-0"  
FOOTPRINT: 1'-2"



OD-172

HEIGHT: 13'-6 3/8"  
WIDTH: 10'-0"  
FOOTPRINT: 6'-10 3/8"  
+ FACETED +



ONION DOMES

SHEET NO.

**OD-18**

2020

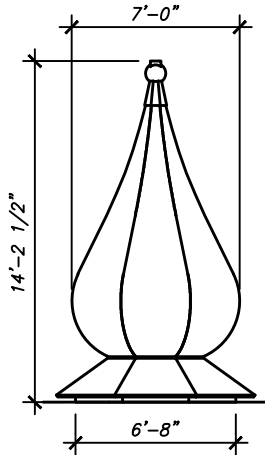


**ARCHITECTURAL FIBERGLASS, INC.**

8300 BESSEMER AVE., CLEVELAND, OHIO 44127-1839  
(216) 641-8300 - FAX:(216) 641-8150  
www.fiberglass-afi.com

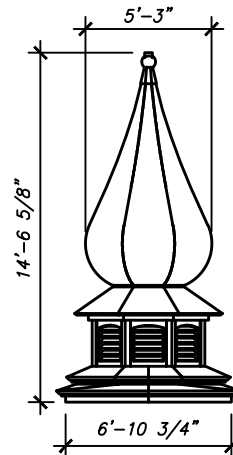
OD-173

HEIGHT: 13'-6 3/8"  
WIDTH: 10'-0"  
FOOTPRINT: 6'-10 3/8"  
+ FACETED +



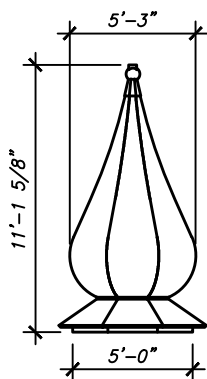
OD-174

HEIGHT: 13'-6 3/8"  
WIDTH: 10'-0"  
FOOTPRINT: 6'-10 3/8"  
+ FACETED +



OD-175

HEIGHT: 13'-6 3/8"  
WIDTH: 10'-0"  
FOOTPRINT: 6'-10 3/8"  
+ FACETED +



INTENTIONALLY LEFT BLANK

ONION DOMES

SHEET NO.

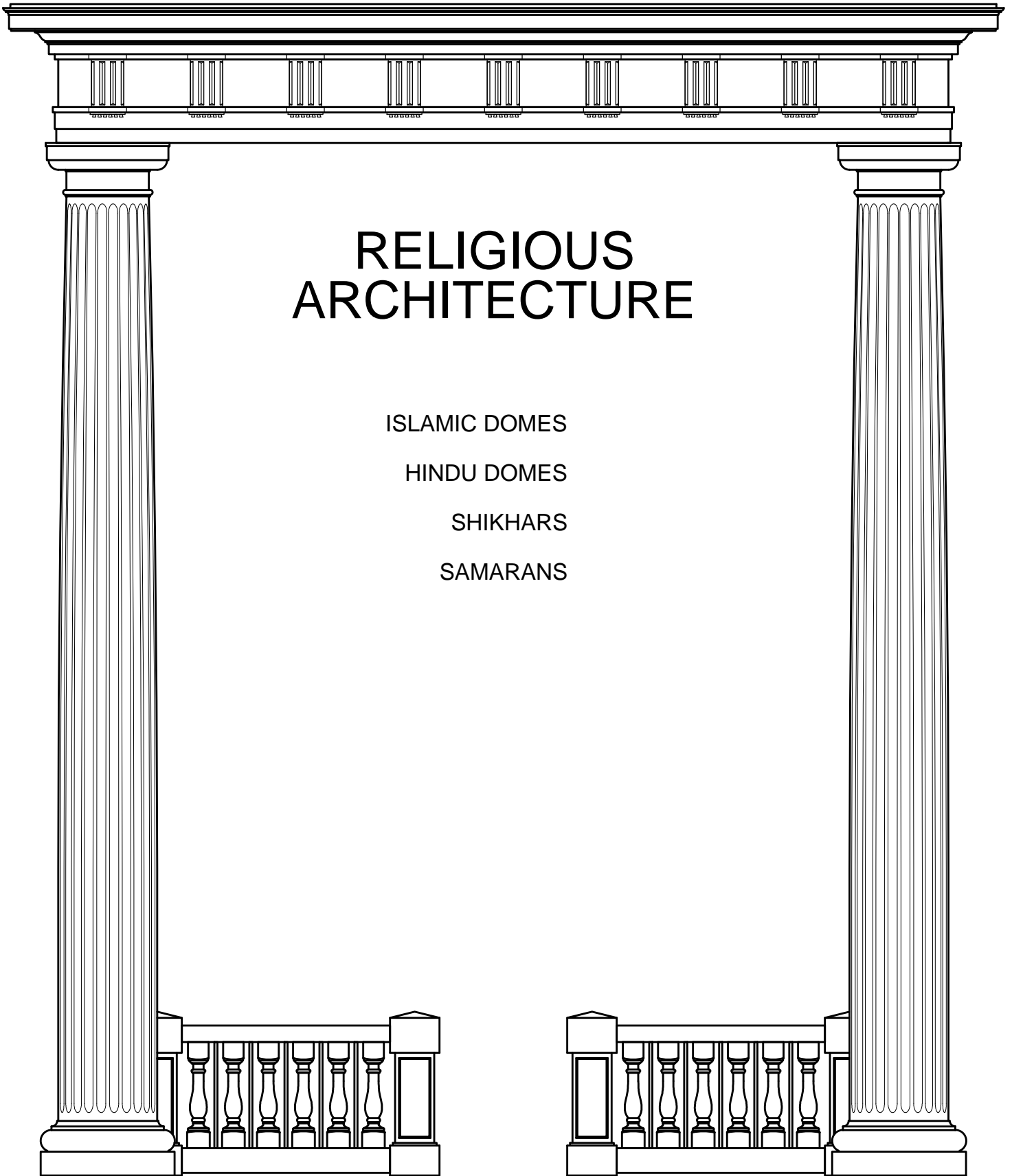
OD-19

2020



*ARCHITECTURAL FIBERGLASS, INC.*

8300 BESSEMER AVE., CLEVELAND, OHIO 44127-1839  
(216) 641-8300 - FAX:(216) 641-8150  
www.fiberglass-afi.com



# RELIGIOUS ARCHITECTURE

ISLAMIC DOMES

HINDU DOMES

SHIKHARS

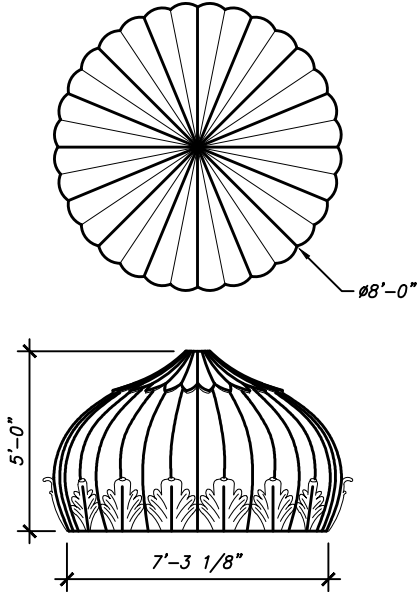
SAMARANS



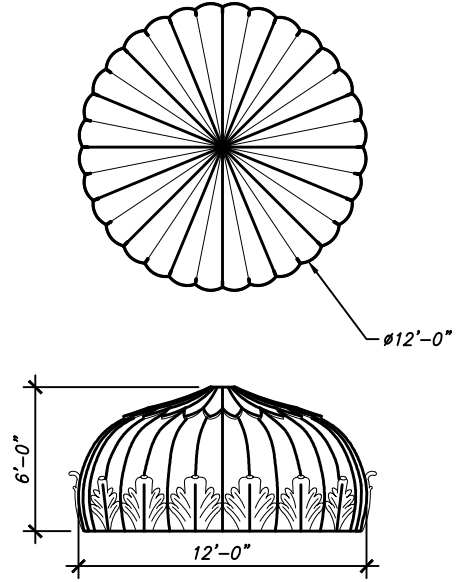
## ARCHITECTURAL FIBERGLASS, INC.

8300 Bessemer Ave. \* Cleveland, OH 44127-1839 \* 216-641-8300 \* Fax 216-641-8150 \* [www.fiberglass-afi.com](http://www.fiberglass-afi.com)

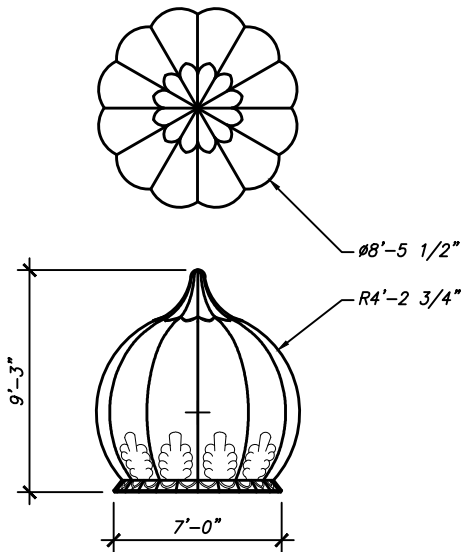
RA-501 (A-136)  
 HEIGHT: 5'-0"  
 WIDTH: 7'-3 1/8"



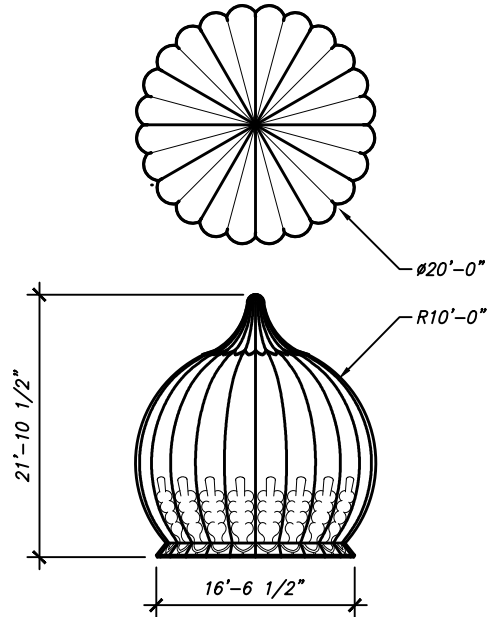
RA-502 (A-135)  
 HEIGHT: 6'-0"  
 WIDTH: 12'-0"



RA-503 (A-134)  
 HEIGHT: 9'-3"  
 WIDTH: 7'-0"



RA-504 (A-133)  
 HEIGHT: 21'-10 1/2"  
 WIDTH: 16'-6 1/2"



ARCHITECTURE

SHEET NO.

RA-01

2020

RELIGIOUS  
 ARCHITECTURE

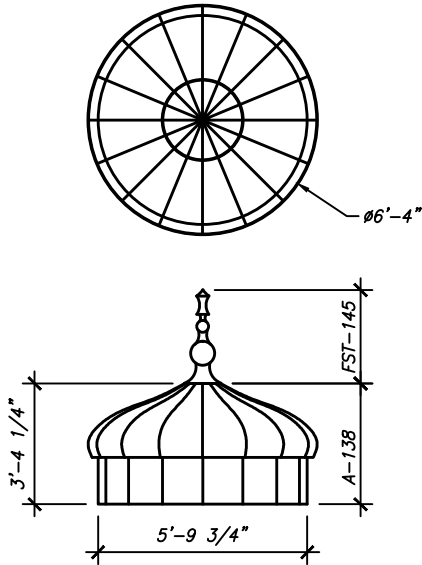


**ARCHITECTURAL FIBERGLASS, INC.**

8300 BESSEMER AVE., CLEVELAND, OHIO 44127-1839  
 (216) 641-8300 - FAX:(216) 641-8150  
 www.fiberglass-afi.com

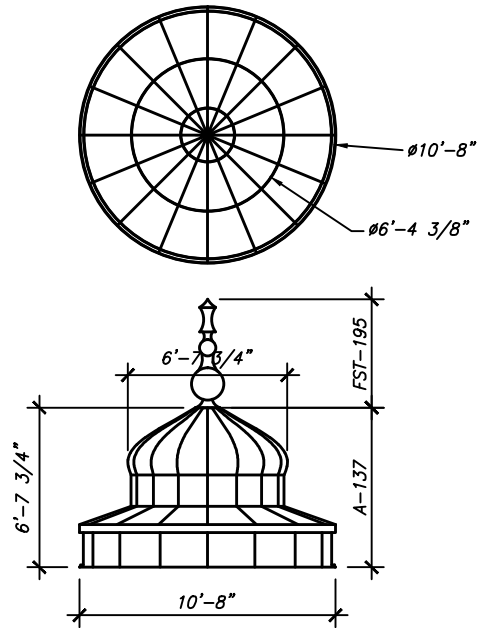
RA-505 (A-138)

HEIGHT: 3'-4 1/4"  
WIDTH: 5'-9 3/4"



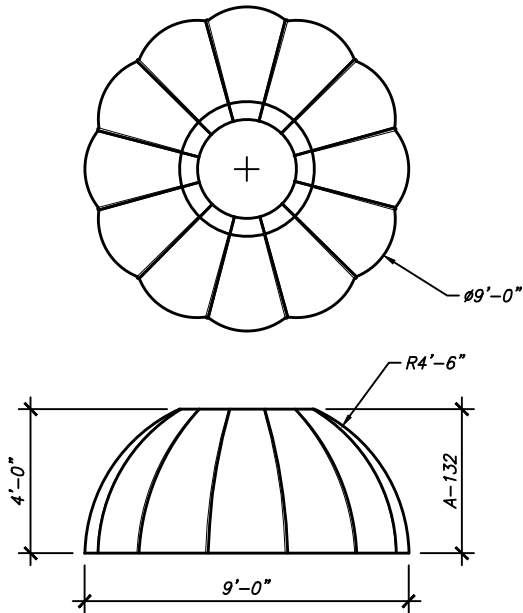
RA-506 (A-137)

HEIGHT: 6'-7 3/4"  
WIDTH: 10'-8"



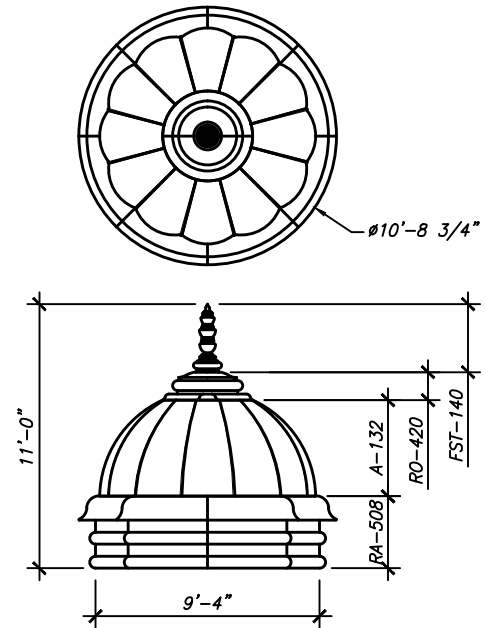
RA-507 (A-132)

HEIGHT: 4'-0"  
WIDTH: 9'-0"



RA-508

HEIGHT: 11'-0"  
WIDTH: 9'-4"



ARCHITECTURE

SHEET NO.

RA-02

2020

RELIGIOUS  
ARCHITECTURE



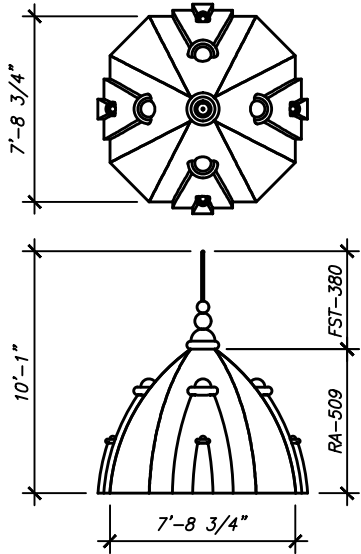
ARCHITECTURAL FIBERGLASS, INC.

8300 BESSEMER AVE., CLEVELAND, OHIO 44127-1839  
(216) 641-8300 - FAX:(216) 641-8150  
www.fiberglass-afi.com



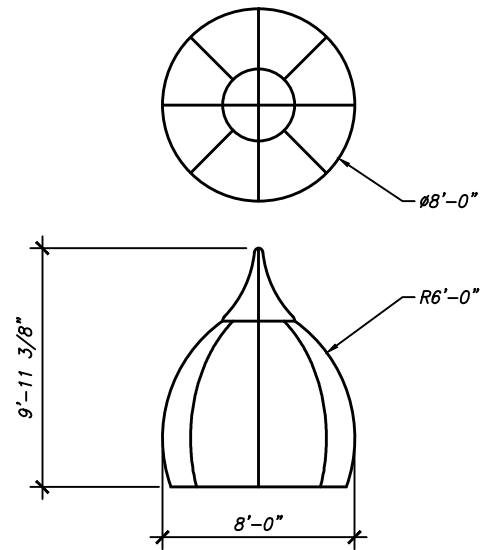
RA-509

HEIGHT: 10'-1"  
WIDTH: 7'-8 3/4"



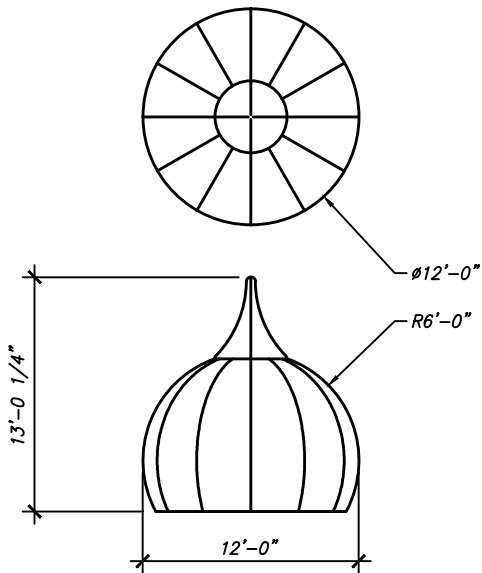
RA-510 (A-250)

HEIGHT: 9'-11 3/8"  
WIDTH: 8'-0"



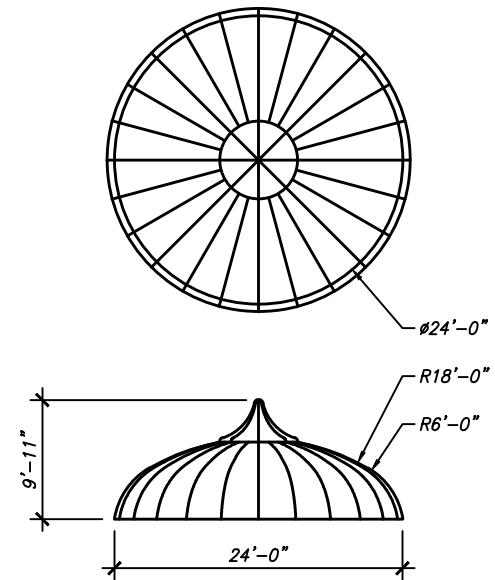
RA-511 (A-249)

HEIGHT: 13'-0 1/4"  
WIDTH: 12'-0"



RA-512 (A-248)

HEIGHT: 9'-11"  
WIDTH: 24'-0"



ARCHITECTURE

SHEET NO.

RA-03

2020

RELIGIOUS  
ARCHITECTURE

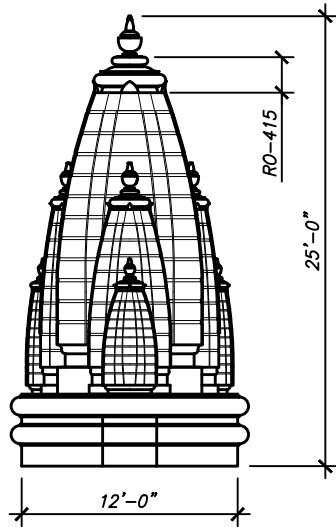


ARCHITECTURAL FIBERGLASS, INC.

8300 BESSEMER AVE., CLEVELAND, OHIO 44127-1839  
(216) 641-8300 - FAX:(216) 641-8150  
www.fiberglass-afi.com

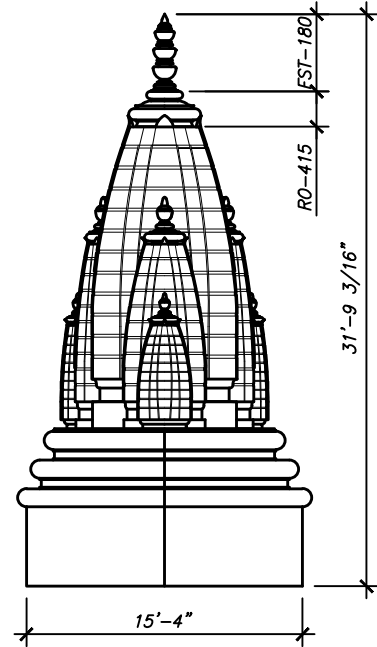
RA-513

HEIGHT: 25'-0"  
WIDTH: 12'-0"



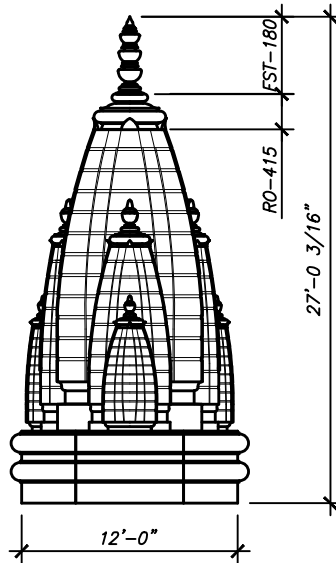
RA-514

HEIGHT: 31'-9"  
WIDTH: 15'-4"  
SQ.FT.: 3750.2



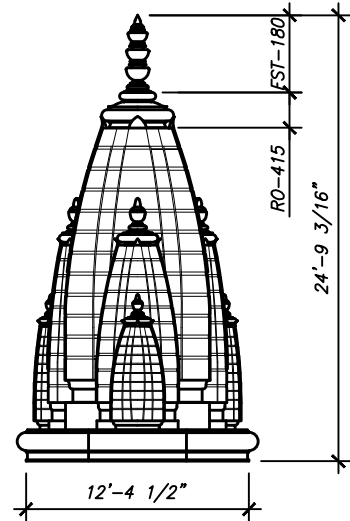
RA-515

HEIGHT: 27'-0"  
WIDTH: 12'-0"



RA-516

HEIGHT: 24'-9"  
WIDTH: 12'-4 1/2"



ARCHITECTURE

SHEET NO.

RA-04

2020

RELIGIOUS  
ARCHITECTURE

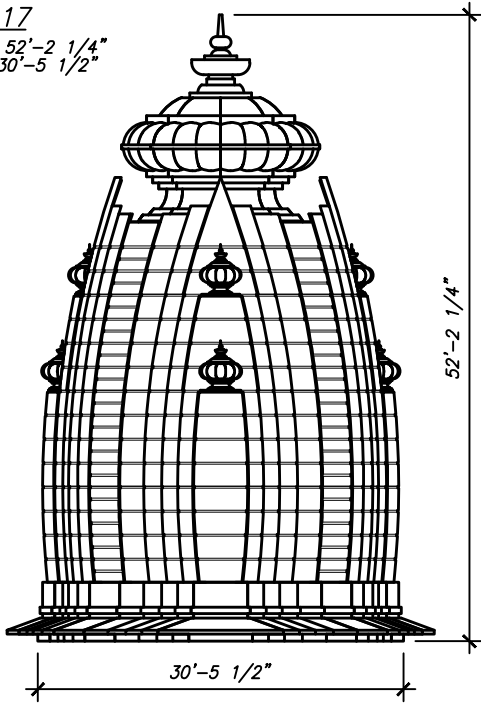


ARCHITECTURAL FIBERGLASS, INC.

8300 BESSEMER AVE., CLEVELAND, OHIO 44127-1839  
(216) 641-8300 - FAX:(216) 641-8150  
www.fiberglass-afi.com

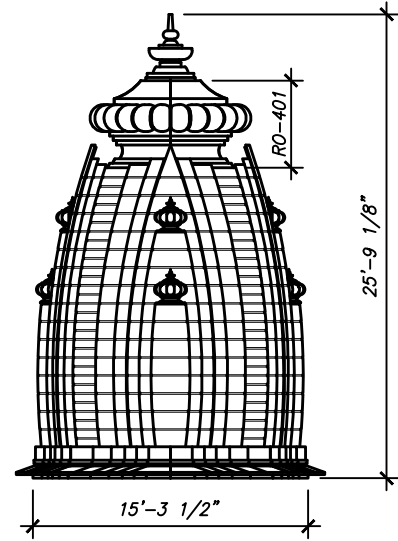
RA-517

HEIGHT: 52'-2 1/4"  
WIDTH: 30'-5 1/2"



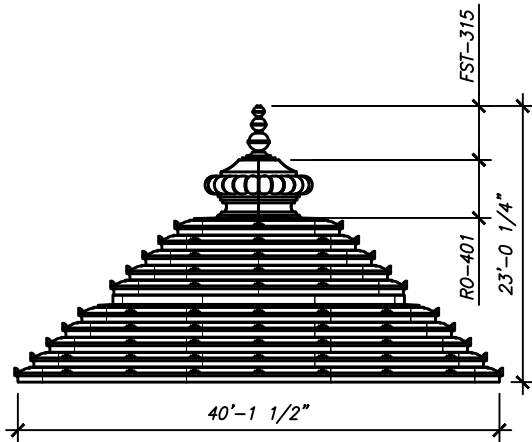
RA-518

HEIGHT: 25'-9 1/8"  
WIDTH: 15'-3 1/2"



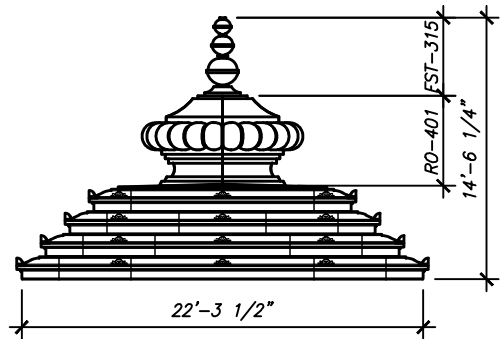
RA-519

HEIGHT: 23'-0 1/4"  
WIDTH: 40'-1 1/2"



RA-520

HEIGHT: 14'-6 1/4"  
WIDTH: 22'-3 1/2"



ARCHITECTURE

SHEET NO.

RA-05

2020

RELIGIOUS  
ARCHITECTURE

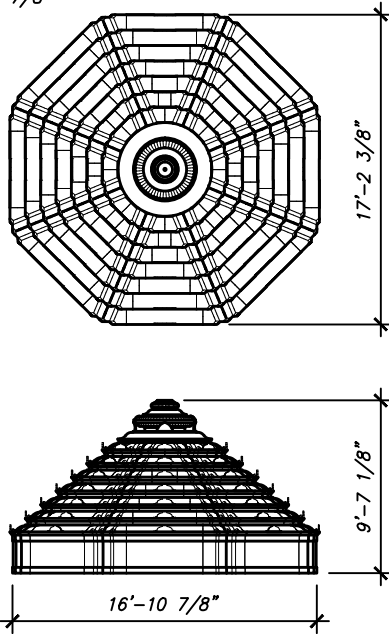


ARCHITECTURAL FIBERGLASS, INC.

8300 BESSEMER AVE., CLEVELAND, OHIO 44127-1839  
(216) 641-8300 - FAX:(216) 641-8150  
www.fiberglass-afi.com

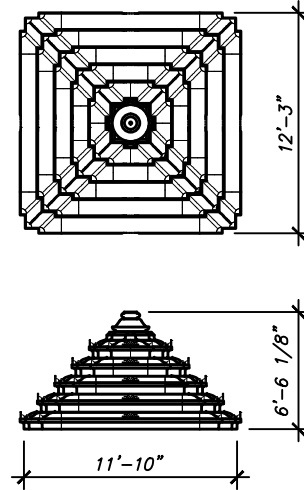
RA-521

HEIGHT: 9'-7 1/8"  
WIDTH: 16'-10 7/8"



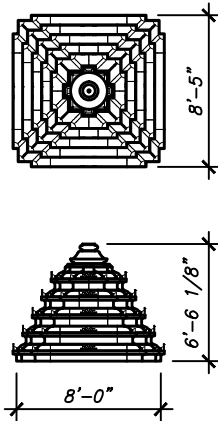
RA-522

HEIGHT: 6'-6 1/8"  
WIDTH: 11'-10"



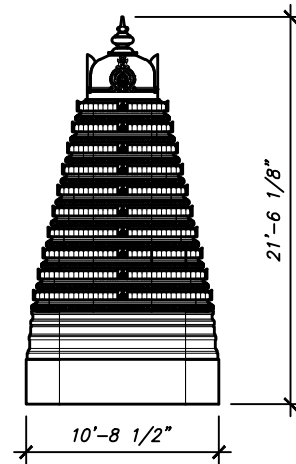
RA-523

HEIGHT: 6'-6 1/8"  
WIDTH: 8'-0"



RA-524

HEIGHT: 21'-6 1/8"  
WIDTH: 10'-8 1/2"



ARCHITECTURE

SHEET NO.

RA-06

2020

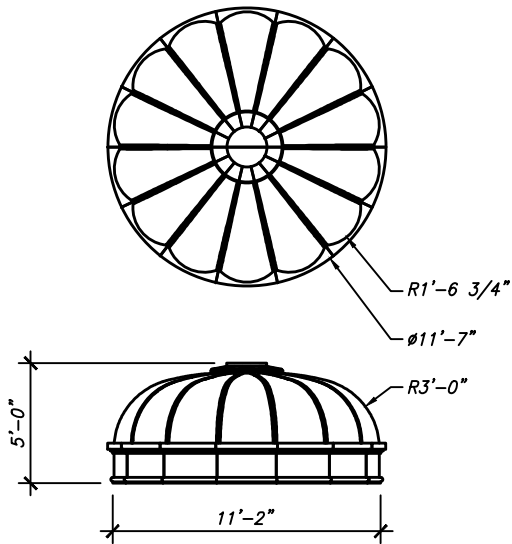
RELIGIOUS  
ARCHITECTURE



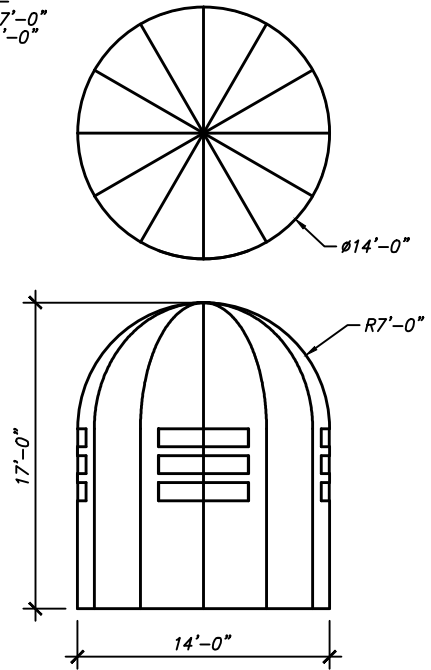
ARCHITECTURAL FIBERGLASS, INC.

8300 BESSEMER AVE., CLEVELAND, OHIO 44127-1839  
(216) 641-8300 - FAX:(216) 641-8150  
www.fiberglass-afi.com

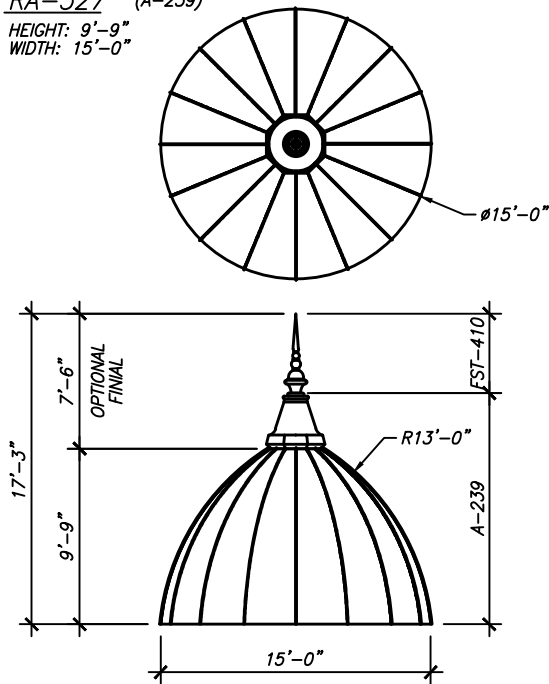
RA-525 (A-236)  
 HEIGHT: 5'-0"  
 WIDTH: 11'-7"



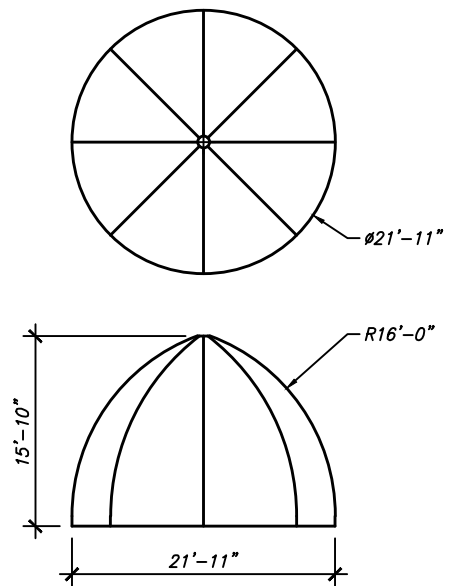
RA-526 (A-184)  
 HEIGHT: 17'-0"  
 WIDTH: 14'-0"



RA-527 (A-239)  
 HEIGHT: 9'-9"  
 WIDTH: 15'-0"



RA-528 (A-120)  
 HEIGHT: 15'-10"  
 WIDTH: 21'-11"



ARCHITECTURE

SHEET NO.

RA-07

2020

RELIGIOUS  
 ARCHITECTURE

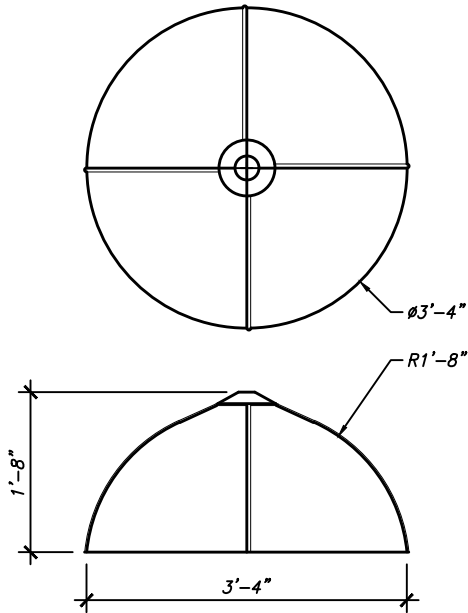


ARCHITECTURAL FIBERGLASS, INC.

8300 BESSEMER AVE., CLEVELAND, OHIO 44127-1839  
 (216) 641-8300 - FAX:(216) 641-8150  
 www.fiberglass-afi.com

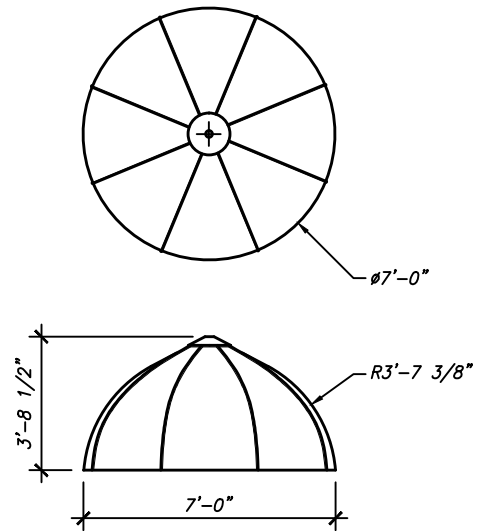
RA-529 (A-124)

HEIGHT: 1'-8"  
WIDTH: 3'-4"



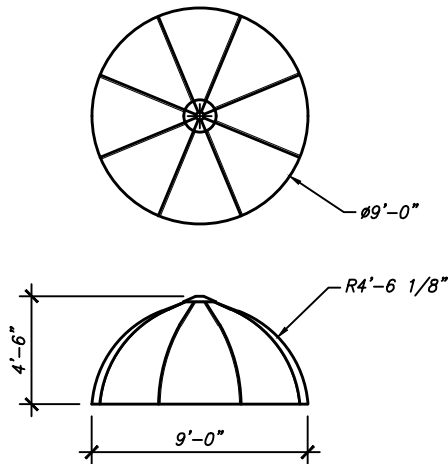
RA-530 (A-103)

HEIGHT: 3'-8 1/2"  
WIDTH: 7'-0"



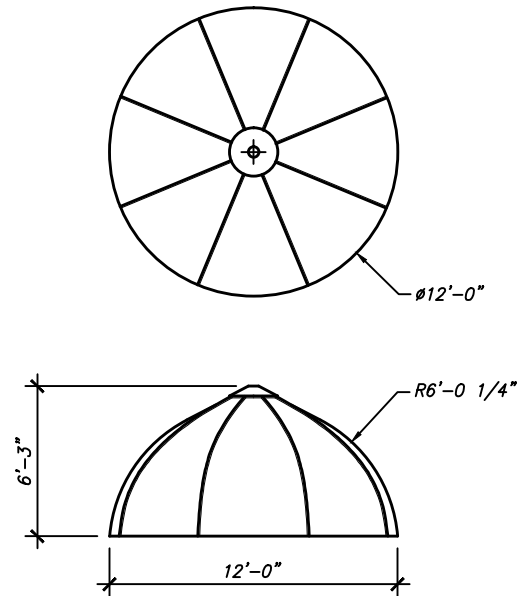
RA-531 (A-123)

HEIGHT: 4'-6"  
WIDTH: 9'-0"



RA-532 (A-107)

HEIGHT: 6'-3"  
WIDTH: 12'-0"



ARCHITECTURE

SHEET NO.

RA-08

2020

RELIGIOUS  
ARCHITECTURE

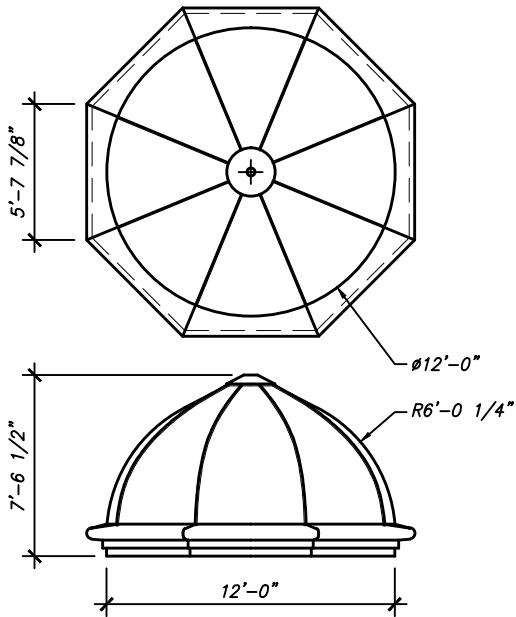


ARCHITECTURAL FIBERGLASS, INC.

8300 BESSEMER AVE., CLEVELAND, OHIO 44127-1839  
(216) 641-8300 - FAX:(216) 641-8150  
www.fiberglass-afi.com

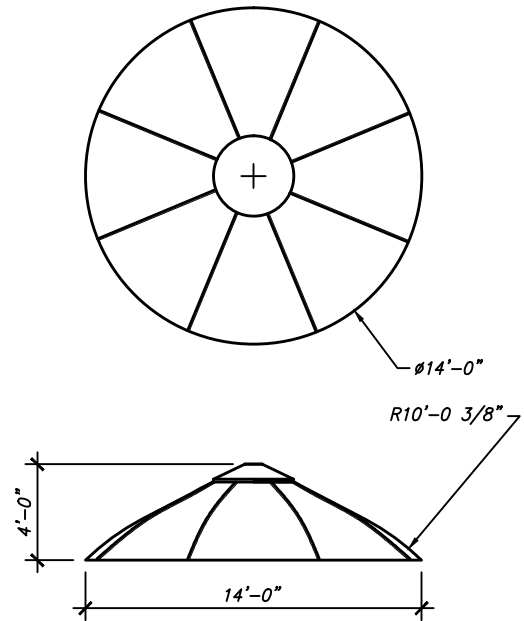
RA-533 (A-104)

HEIGHT: 7'-6 1/2"  
WIDTH: 12'-0"



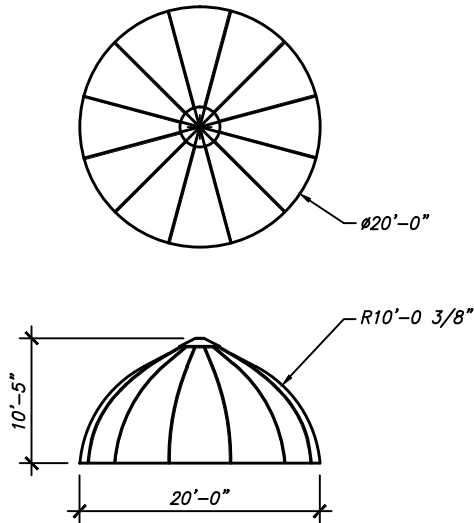
RA-534 (A-118)

HEIGHT: 4'-0"  
WIDTH: 14'-0"



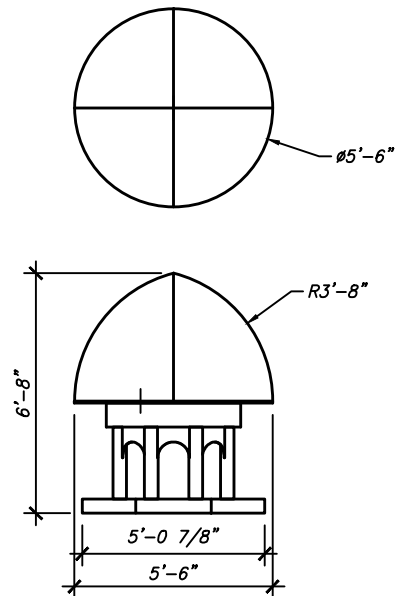
RA-535 (A-122)

HEIGHT: 10'-5"  
WIDTH: 20'-0"



RA-536

HEIGHT: 6'-8"  
WIDTH: 5'-6"



ARCHITECTURE

SHEET NO.

RA-09

2020

RELIGIOUS  
ARCHITECTURE

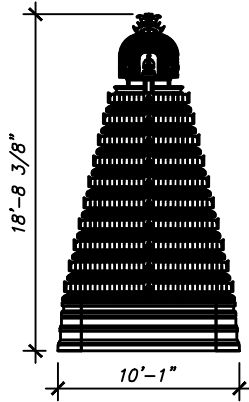


ARCHITECTURAL FIBERGLASS, INC.

8300 BESSEMER AVE., CLEVELAND, OHIO 44127-1839  
(216) 641-8300 - FAX:(216) 641-8150  
www.fiberglass-afi.com

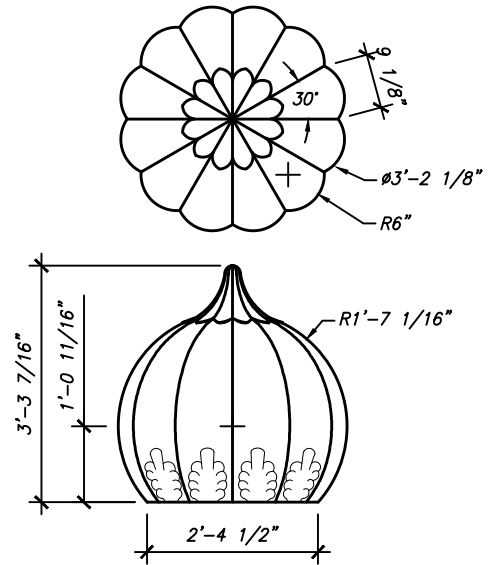
RA-537

HEIGHT: 18'-8 3/8"  
WIDTH: 10'-1"



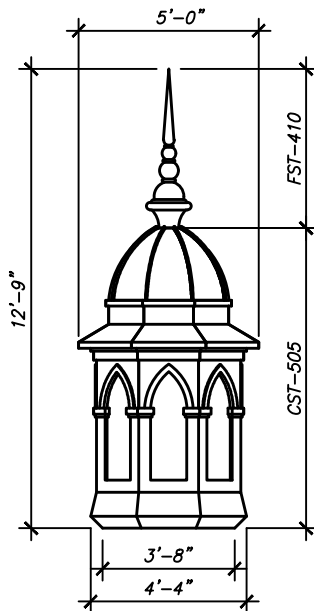
RA-538

HEIGHT: 3'-3 7/16"  
WIDTH: 2'-4 1/2"



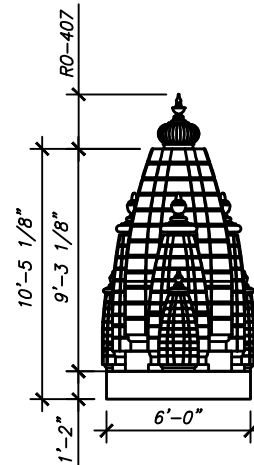
RA-539

HEIGHT: 12'-9"  
WIDTH: 5'-0"



RA-540

HEIGHT: 6'-0"  
WIDTH: 10'-5 1/8"



ARCHITECTURE

SHEET NO.

RA-10

2020

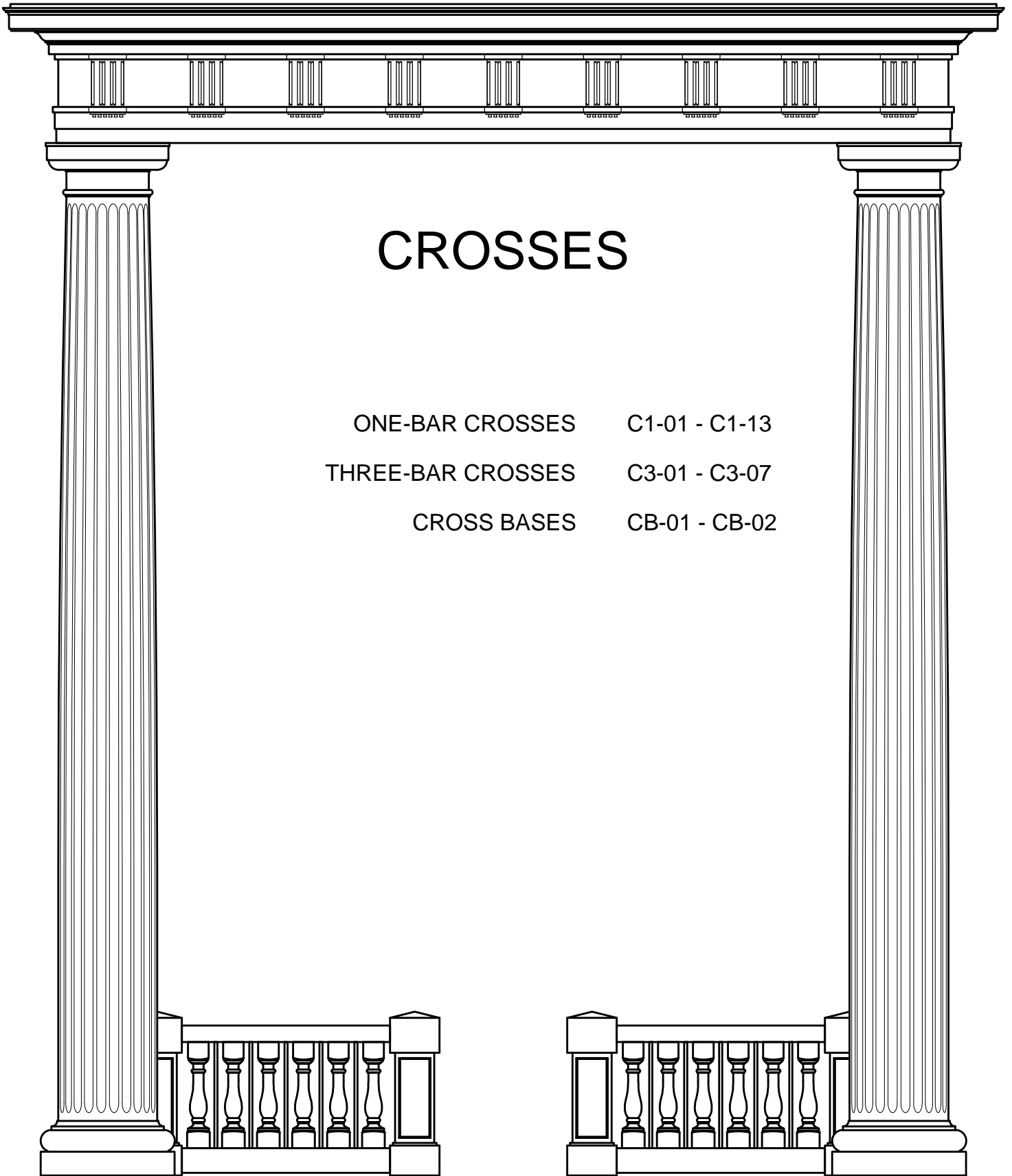
RELIGIOUS  
ARCHITECTURE



ARCHITECTURAL FIBERGLASS, INC.

8300 BESSEMER AVE., CLEVELAND, OHIO 44127-1839  
(216) 641-8300 - FAX:(216) 641-8150  
www.fiberglass-afi.com





# CROSSES

ONE-BAR CROSSES	C1-01 - C1-13
THREE-BAR CROSSES	C3-01 - C3-07
CROSS BASES	CB-01 - CB-02

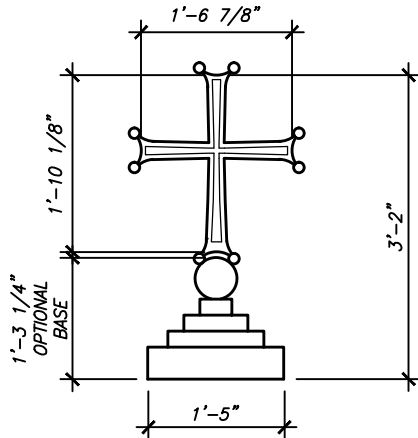


ARCHITECTURAL FIBERGLASS, INC.

8300 Bessemer Ave. \* Cleveland, OH 44127-1839 \* 216-641-8300 \* Fax 216-641-8150 \* [www.fiberglass-afi.com](http://www.fiberglass-afi.com)

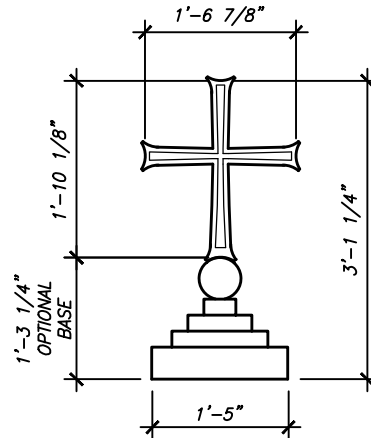
RO-101

HEIGHT: 3'-2"  
WIDTH: 1'-6 7/8"  
DEPTH: 1 1/2"



RO-103

HEIGHT: 3'-1 1/4"  
WIDTH: 1'-6 7/8"  
DEPTH: 1 1/2"



INTENTIONALLY LEFT BLANK

INTENTIONALLY LEFT BLANK

ORNAMENTS

SHEET NO.

C1-01

2020

CROSSES,  
ONE-BAR

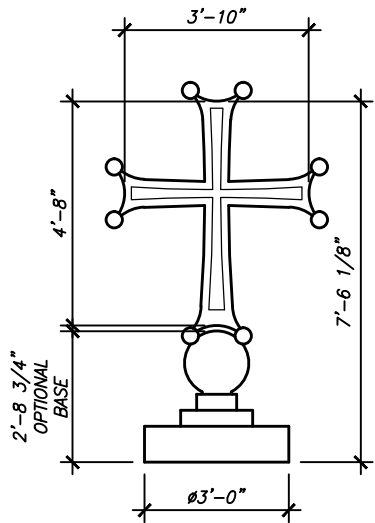


**ARCHITECTURAL FIBERGLASS, INC.**

8300 BESSEMER AVE., CLEVELAND, OHIO 44127-1839  
(216) 641-8300 - FAX:(216) 641-8150  
www.fiberglass-afi.com

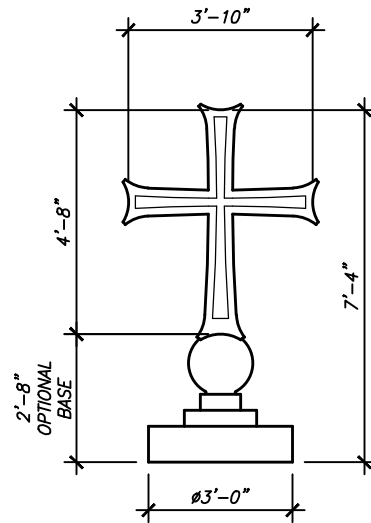
RO-122

HEIGHT: 7'-6 1/8"  
WIDTH: 3'-10"  
DEPTH: 4"



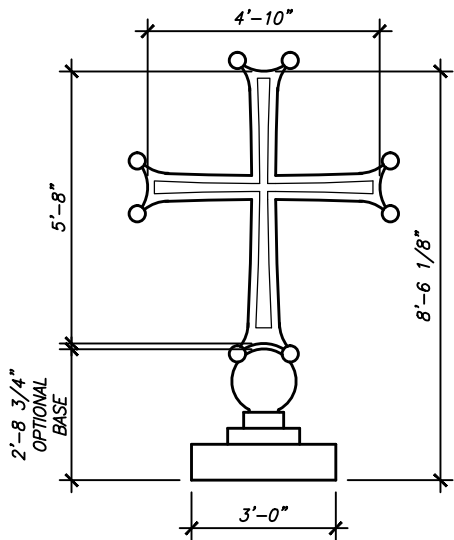
RO-120

HEIGHT: 7'-4"  
WIDTH: 3'-10"  
DEPTH: 4"



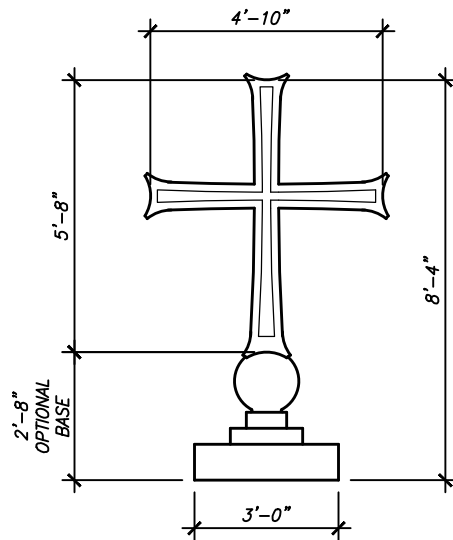
RO-102

HEIGHT: 8'-6 1/8"  
WIDTH: 4'-10"  
DEPTH: 4"



RO-104

HEIGHT: 8'-4"  
WIDTH: 4'-10"  
DEPTH: 4"



ORNAMENTS

SHEET NO.

C1-02

2020

CROSSES,  
ONE-BAR

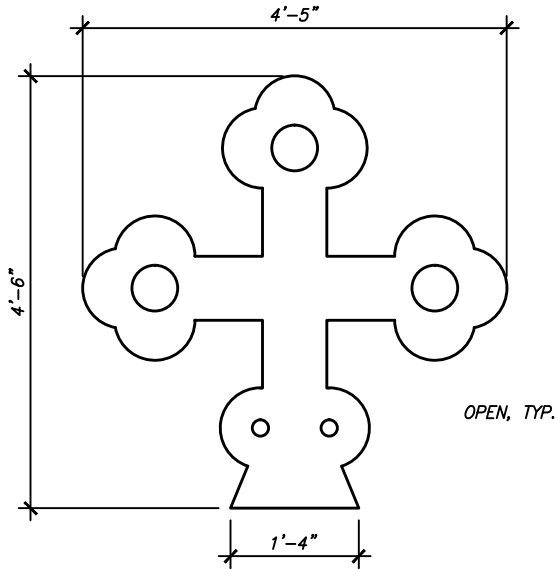


**ARCHITECTURAL FIBERGLASS, INC.**

8300 BESSEMER AVE., CLEVELAND, OHIO 44127-1839  
(216) 641-8300 - FAX:(216) 641-8150  
www.fiberglass-afi.com

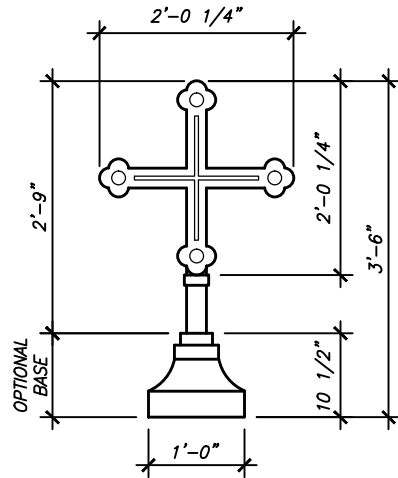
RO-106

HEIGHT: 4'-6"  
WIDTH: 4'-5"  
DEPTH: 6"



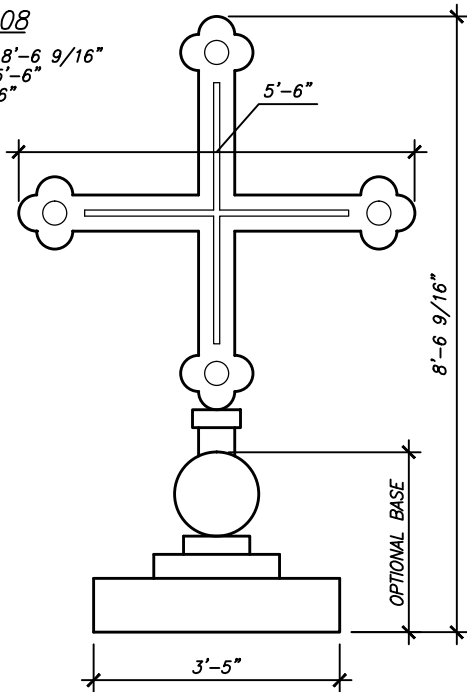
RO-107

HEIGHT: 3'-6"  
WIDTH: 2'-0 1/4"  
DEPTH: 2 1/2"



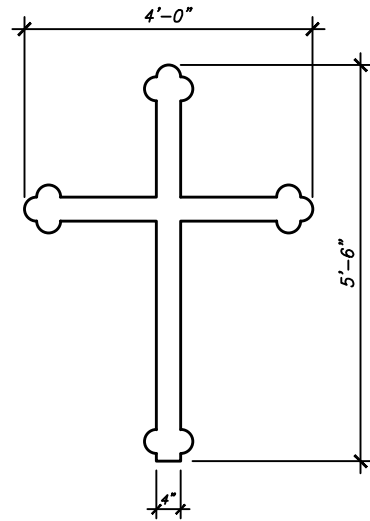
RO-108

HEIGHT: 8'-6 9/16"  
WIDTH: 5'-6"  
DEPTH: 6"



RO-119

HEIGHT: 5'-6"  
WIDTH: 4'-0"  
DEPTH: 4"



ORNAMENTS

SHEET NO.

C1-03

2020

CROSSES,  
ONE-BAR

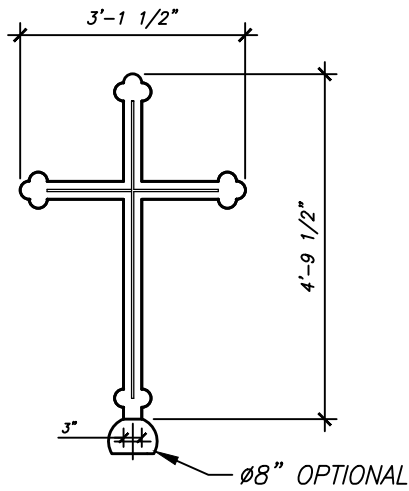


ARCHITECTURAL FIBERGLASS, INC.

8300 BESSEMER AVE., CLEVELAND, OHIO 44127-1839  
(216) 641-8300 - FAX:(216) 641-8150  
www.fiberglass-afi.com

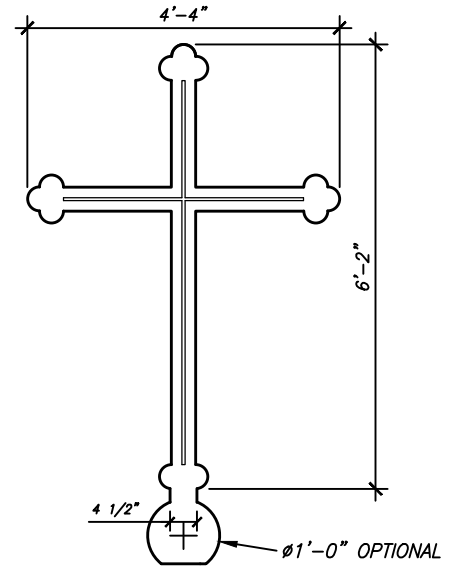
RO-109

HEIGHT: 4'-7 1/2"  
WIDTH: 3'-1 1/2"  
DEPTH: 3"



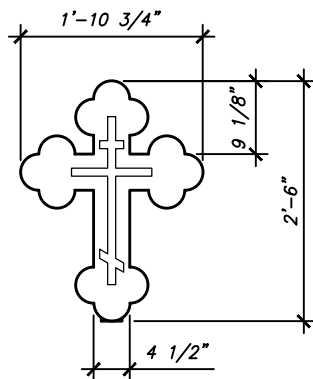
RO-110

HEIGHT: 6'-2"  
WIDTH: 4'-4"  
DEPTH: 4 1/2"



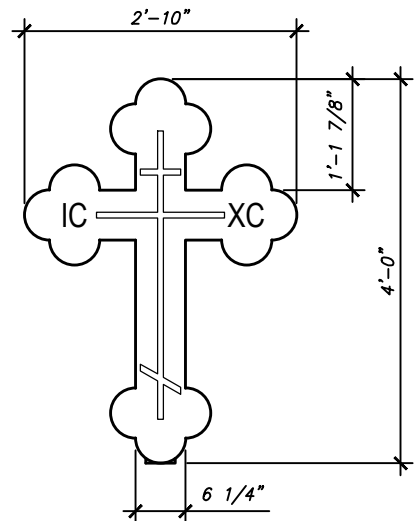
RO-123

HEIGHT: 2'-6"  
WIDTH: 1'-10 3/4"  
DEPTH: 4"



RO-124

HEIGHT: 4'-0"  
WIDTH: 2'-10"  
DEPTH: 4"



ORNAMENTS

SHEET NO.

C1-04

2020

CROSSES,  
ONE-BAR

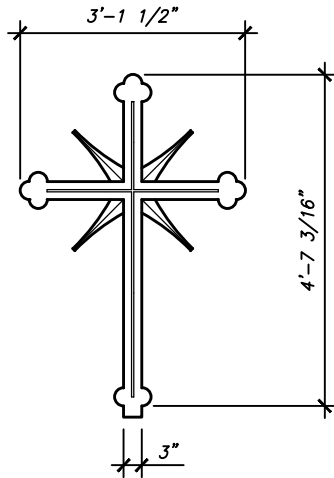


**ARCHITECTURAL FIBERGLASS, INC.**

8300 BESSEMER AVE., CLEVELAND, OHIO 44127-1839  
(216) 641-8300 - FAX:(216) 641-8150  
www.fiberglass-afi.com

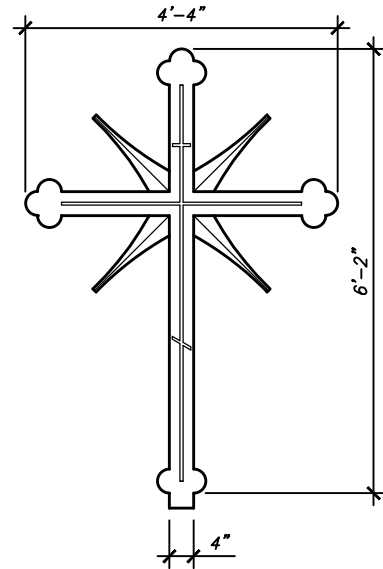
RO-115

HEIGHT: 4'-7 3/16"  
WIDTH: 3'-1 1/2"  
DEPTH: 3"



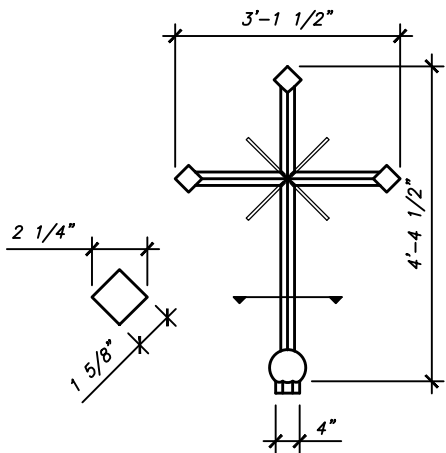
RO-116

HEIGHT: 6'-2"  
WIDTH: 4'-4"  
DEPTH: 4 1/2"



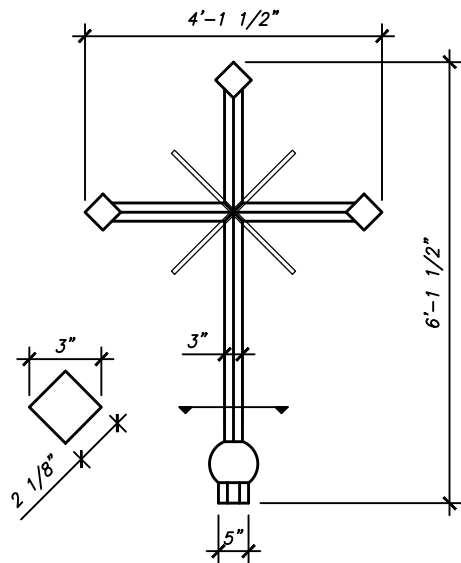
RO-117

HEIGHT: 4'-4 1/2"  
WIDTH: 3'-1 1/2"  
DEPTH: 2 1/4"



RO-118

HEIGHT: 6'-1 1/2"  
WIDTH: 4'-1 1/2"  
DEPTH: 3"



ORNAMENTS

SHEET NO.

**C1-05**

2020

CROSSES,  
ONE-BAR

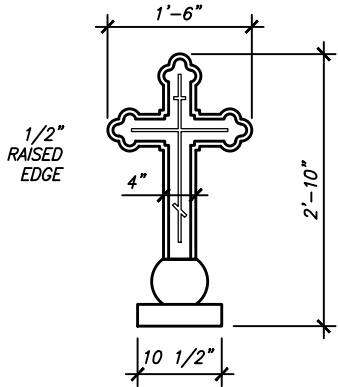


**ARCHITECTURAL FIBERGLASS, INC.**

8300 BESSEMER AVE., CLEVELAND, OHIO 44127-1839  
(216) 641-8300 - FAX:(216) 641-8150  
www.fiberglass-afi.com

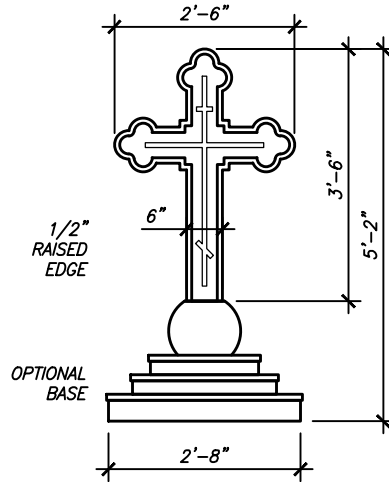
RO-125

HEIGHT: 2'-10"  
WIDTH: 1'-6"  
DEPTH: 3"



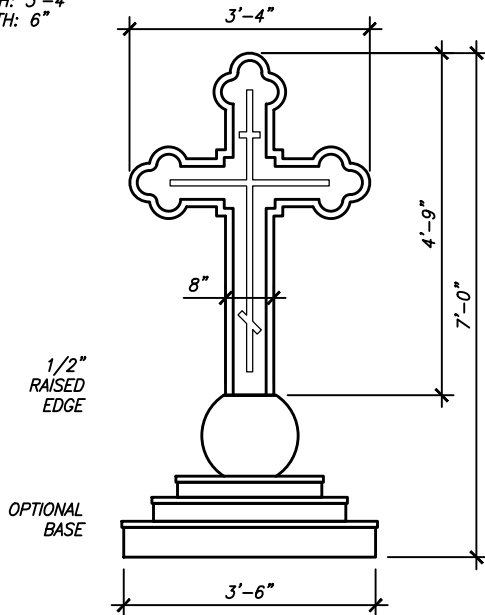
RO-126

HEIGHT: 5'-2"  
WIDTH: 2'-6"  
DEPTH: 4 1/2"



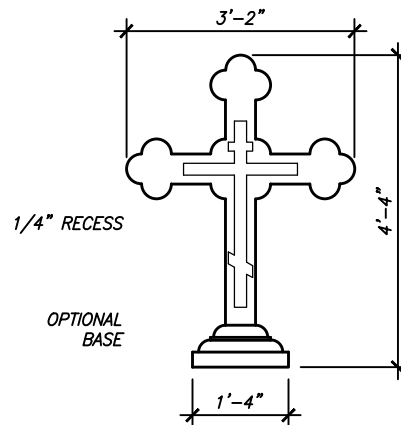
RO-127

HEIGHT: 7'-0"  
WIDTH: 3'-4"  
DEPTH: 6"



RO-128

HEIGHT: 4'-4"  
WIDTH: 3'-2"  
DEPTH: 2"



ORNAMENTS

SHEET NO.

C1-06

2020

CROSSES,  
ONE-BAR

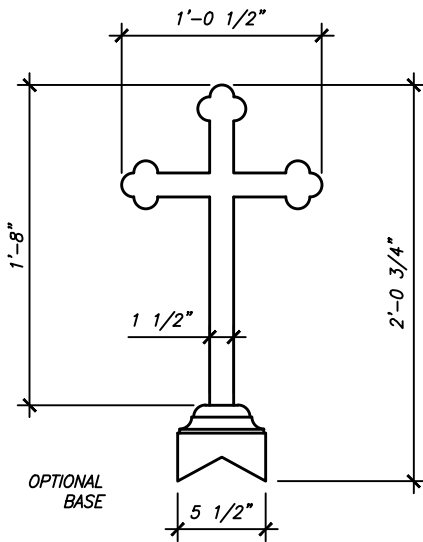


**ARCHITECTURAL FIBERGLASS, INC.**

8300 BESSEMER AVE., CLEVELAND, OHIO 44127-1839  
(216) 641-8300 - FAX:(216) 641-8150  
www.fiberglass-afi.com

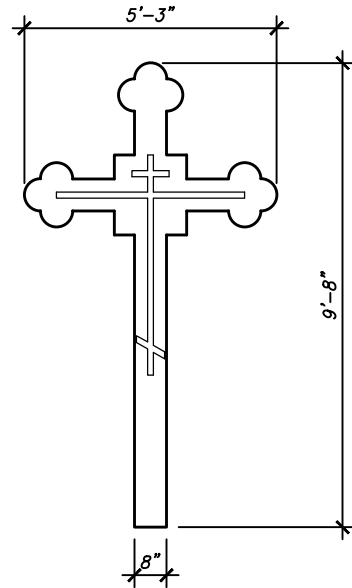
RO-132

HEIGHT: 2'-0 3/4"  
WIDTH: 1'-0 1/2"  
DEPTH: 2"



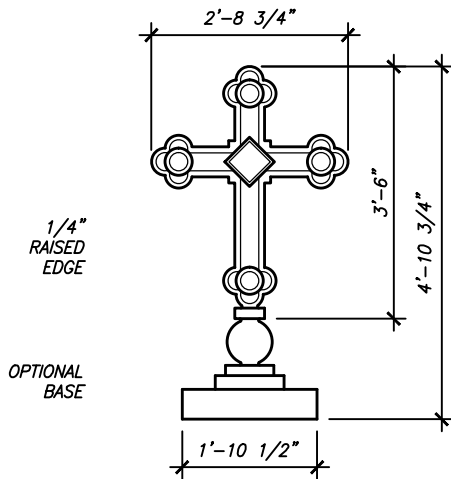
RO-114

HEIGHT: 9'-8"  
WIDTH: 5'-3"  
DEPTH: 8"



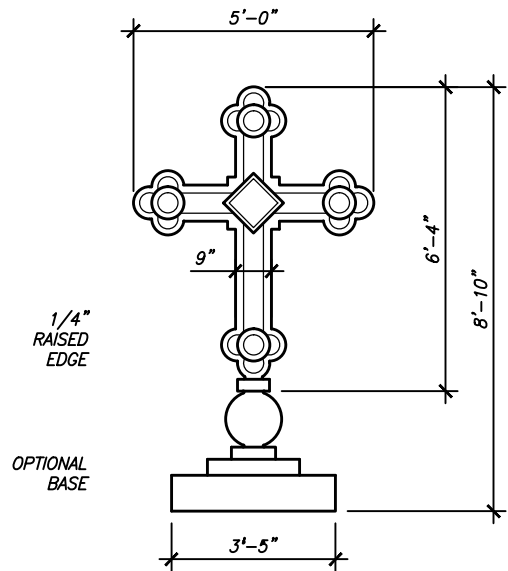
RO-130

HEIGHT: 4'-10 3/4"  
WIDTH: 2'-8 3/4"  
DEPTH: 3"



RO-131

HEIGHT: 8'-10"  
WIDTH: 5'-0"  
DEPTH: 4"



ORNAMENTS

SHEET NO.

C1-07

2020

CROSSES,  
ONE-BAR



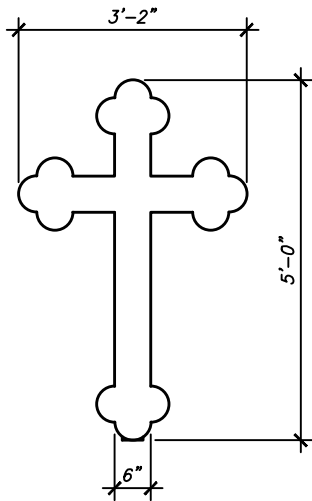
**ARCHITECTURAL FIBERGLASS, INC.**

8300 BESSEMER AVE., CLEVELAND, OHIO 44127-1839  
(216) 641-8300 - FAX:(216) 641-8150  
www.fiberglass-afi.com



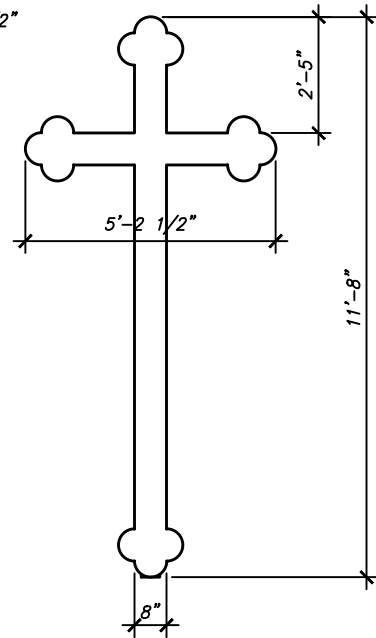
RO-133

HEIGHT: 5'-0"  
WIDTH: 3'-2"  
DEPTH: 6"



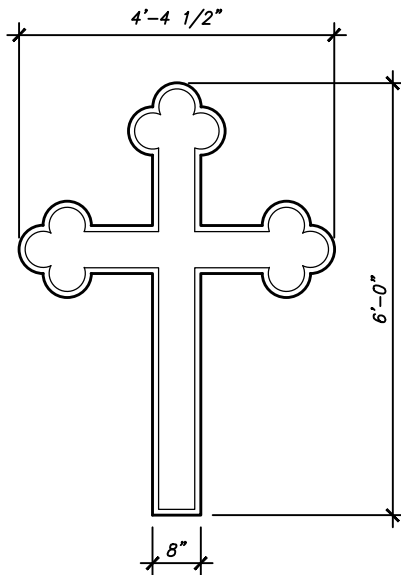
RO-141

HEIGHT: 11'-8"  
WIDTH: 5'-2 1/2"  
DEPTH: 8"



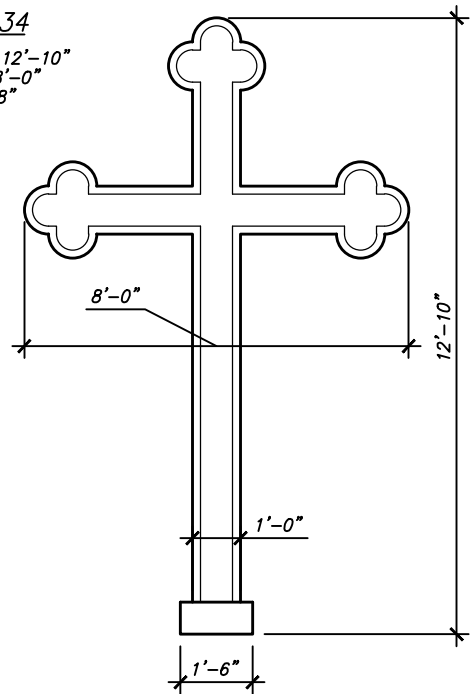
RO-121

HEIGHT: 6'-0"  
WIDTH: 4'-4 1/2"  
DEPTH: 8"



RO-134

HEIGHT: 12'-10"  
WIDTH: 8'-0"  
DEPTH: 8"



ORNAMENTS

SHEET NO.

C1-08

2020

CROSSES,  
ONE-BAR

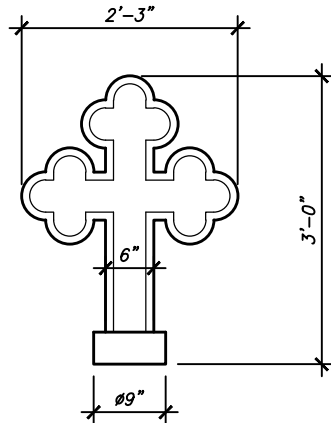


ARCHITECTURAL FIBERGLASS, INC.

8300 BESSEMER AVE., CLEVELAND, OHIO 44127-1839  
(216) 641-8300 - FAX:(216) 641-8150  
www.fiberglass-afi.com

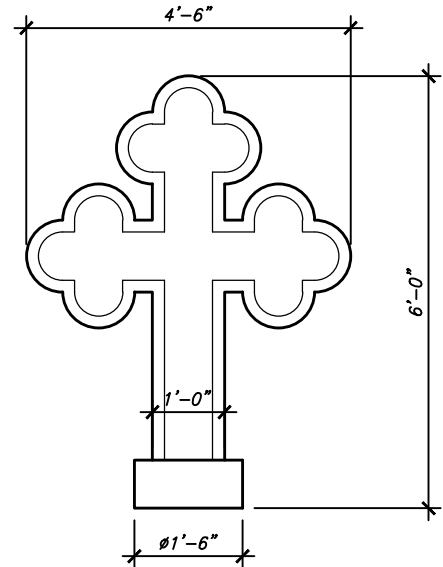
RO-135

HEIGHT: 3'-0"  
WIDTH: 2'-3"  
DEPTH: 4"



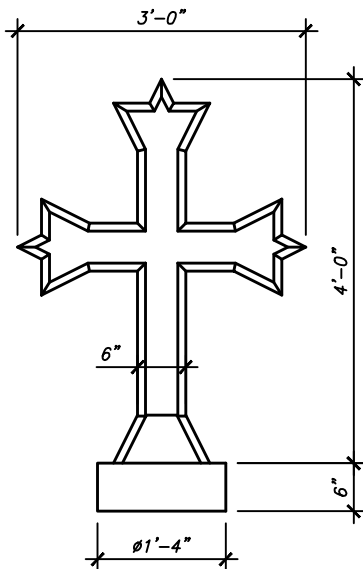
RO-136

HEIGHT: 6'-0"  
WIDTH: 4'-6"  
DEPTH: 8"



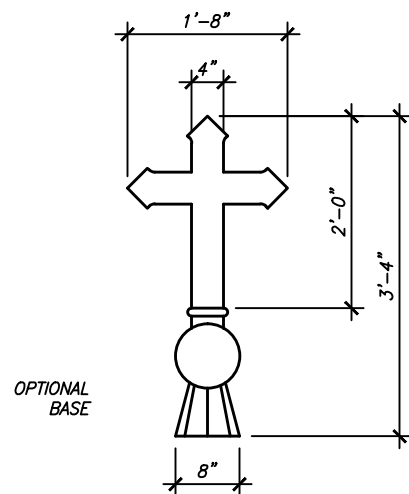
RO-137

HEIGHT: 4'-0"  
WIDTH: 3'-0"  
DEPTH: 6"



RO-138

HEIGHT: 3'-4"  
WIDTH: 1'-8"  
DEPTH: 4"



ORNAMENTS

SHEET NO.

C1-09

2020

CROSSES,  
ONE-BAR

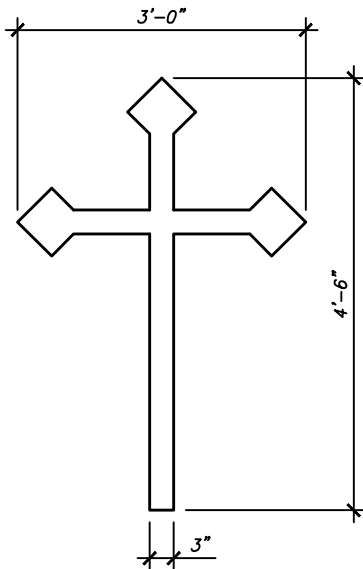


**ARCHITECTURAL FIBERGLASS, INC.**

8300 BESSEMER AVE., CLEVELAND, OHIO 44127-1839  
(216) 641-8300 - FAX:(216) 641-8150  
www.fiberglass-afi.com

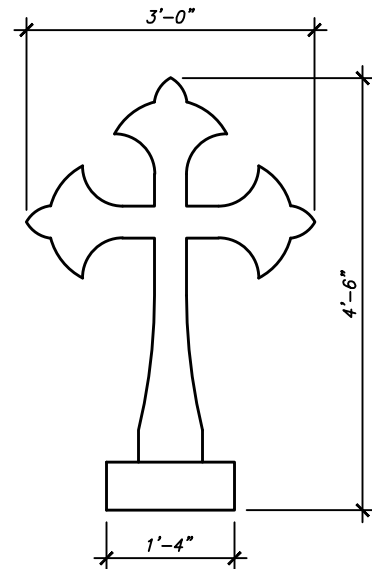
RO-139

HEIGHT: 4'-6"  
WIDTH: 3'-0"  
DEPTH: 3"



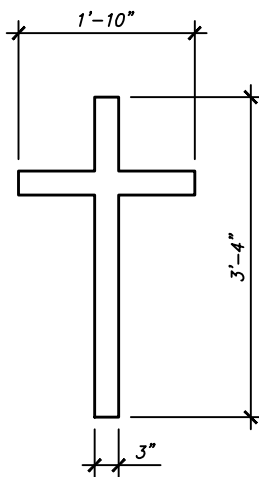
RO-140

HEIGHT: 4'-6"  
WIDTH: 3'-0"  
DEPTH: 4"



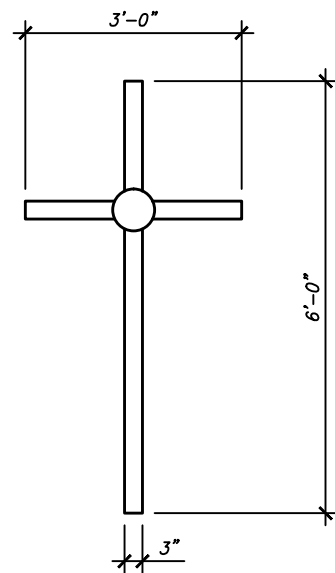
RO-142

HEIGHT: 3'-4"  
WIDTH: 1'-10"  
DEPTH: 3"



RO-143

HEIGHT: 6'-0"  
WIDTH: 3'-0"  
DEPTH: 3"



ORNAMENTS

SHEET NO.

C1-10

2020

CROSSES,  
ONE-BAR

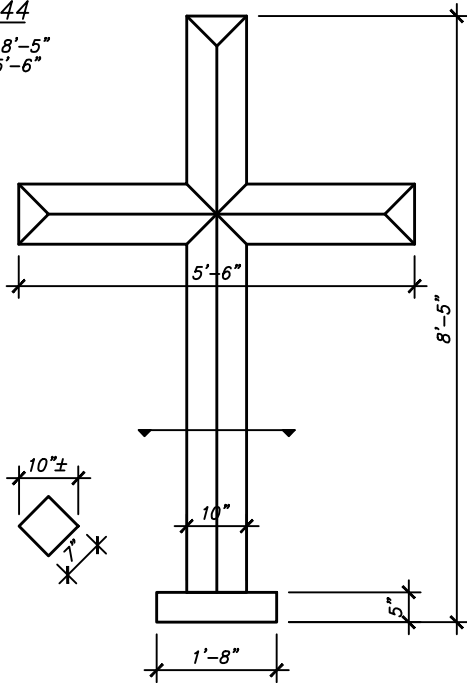


**ARCHITECTURAL FIBERGLASS, INC.**

8300 BESSEMER AVE., CLEVELAND, OHIO 44127-1839  
(216) 641-8300 - FAX:(216) 641-8150  
www.fiberglass-afi.com

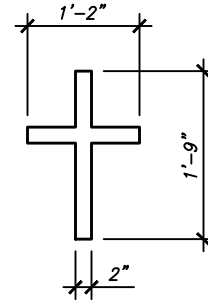
RO-144

HEIGHT: 8'-5"  
WIDTH: 5'-6"  
DEPTH:



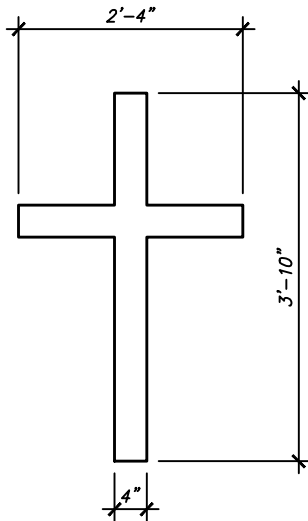
RO-145

HEIGHT: 1'-9"  
WIDTH: 1'-2"  
DEPTH: 1 1/2"



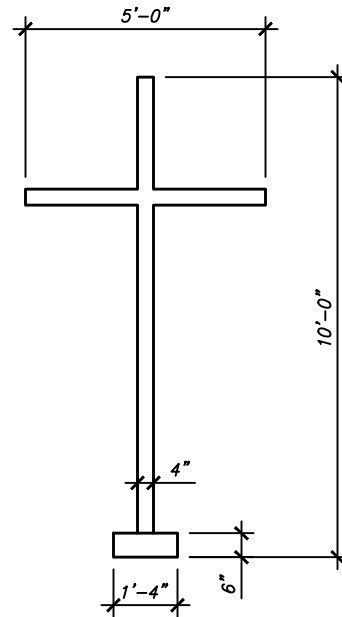
RO-146

HEIGHT: 3'-10"  
WIDTH: 2'-4"  
DEPTH: 3"



RO-148

HEIGHT: 10'-0"  
WIDTH: 5'-0"  
DEPTH: 4"



ORNAMENTS

SHEET NO.

C1-11

2020

CROSSES,  
ONE-BAR

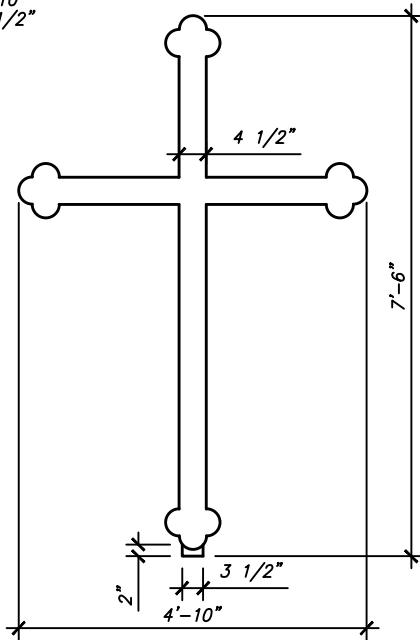


ARCHITECTURAL FIBERGLASS, INC.

8300 BESSEMER AVE., CLEVELAND, OHIO 44127-1839  
(216) 641-8300 - FAX:(216) 641-8150  
www.fiberglass-afi.com

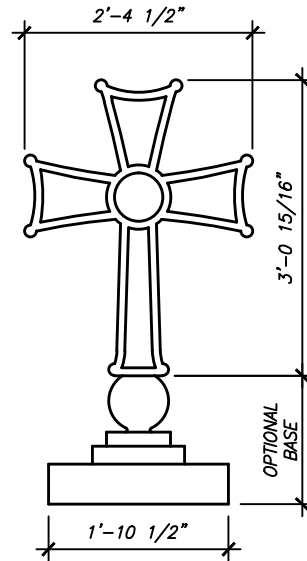
RO-149

HEIGHT: 7'-6"  
WIDTH: 4'-10"  
DEPTH: 4 1/2"



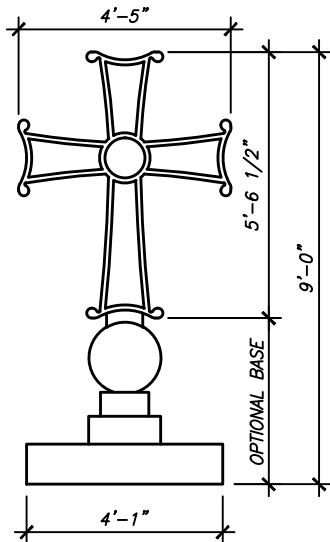
RO-150

HEIGHT: 3'-0 15/16"  
WIDTH: 2'-4 3/4"  
DEPTH: 5"



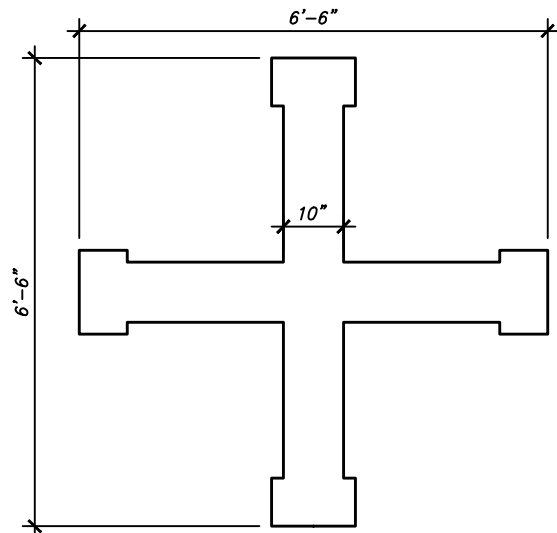
RO-151

HEIGHT: 9'-0"  
WIDTH: 4'-5"  
DEPTH: 4 3/4"



RO-152

HEIGHT: 6'-6"  
WIDTH: 6'-6"  
DEPTH: 5"



ORNAMENTS

SHEET NO.

C1-12

2020

CROSSES,  
ONE-BAR

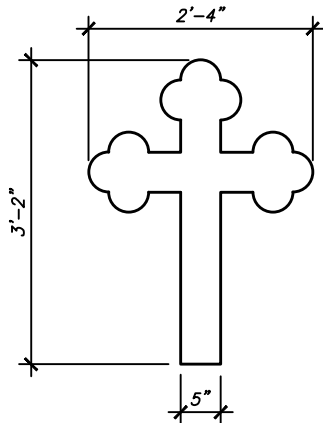


ARCHITECTURAL FIBERGLASS, INC.

8300 BESSEMER AVE., CLEVELAND, OHIO 44127-1839  
(216) 641-8300 - FAX:(216) 641-8150  
www.fiberglass-afi.com

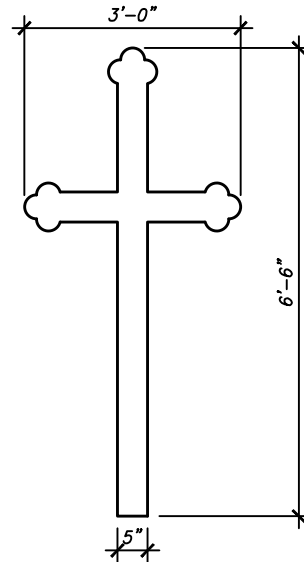
RO-153

HEIGHT: 3'-2"  
WIDTH: 2'-4"  
DEPTH: 5"



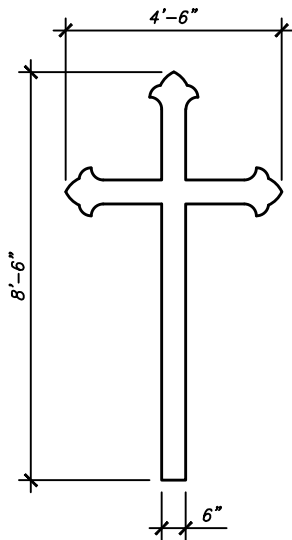
RO-154

HEIGHT: 6'-6"  
WIDTH: 3'-0"  
DEPTH: 3"



RO-155

HEIGHT: 8'-6"  
WIDTH: 4'-6"  
DEPTH: 6"



INTENTIONALLY LEFT BLANK

ORNAMENTS

SHEET NO.

C1-13

2020

CROSSES,  
ONE-BAR

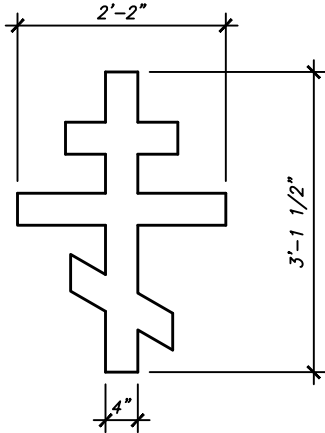


**ARCHITECTURAL FIBERGLASS, INC.**

8300 BESSEMER AVE., CLEVELAND, OHIO 44127-1839  
(216) 641-8300 - FAX:(216) 641-8150  
www.fiberglass-afi.com

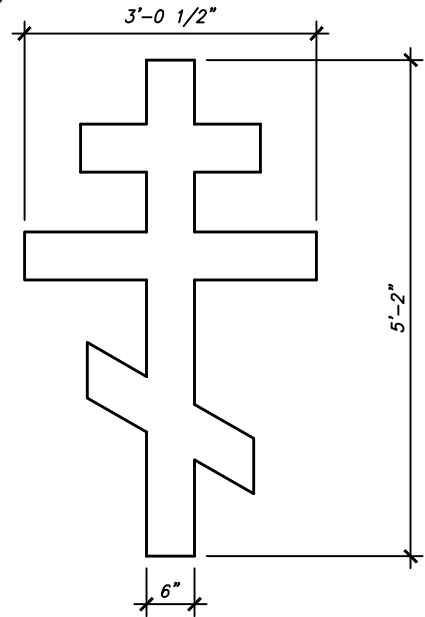
RO-201

HEIGHT: 3'-1 1/2"  
WIDTH: 2'-2"  
DEPTH: 4"



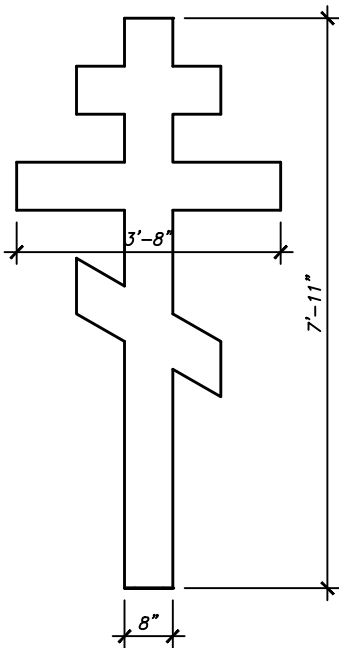
RO-202

HEIGHT: 5'-2"  
WIDTH: 3'-0 1/2"  
DEPTH: 6"



RO-224

HEIGHT: 7'-11"  
WIDTH: 3'-8"  
DEPTH: 8"



INTENTIONALLY LEFT BLANK

ORNAMENTS

SHEET NO.

C3-01

2020

CROSSES,  
THREE-BAR

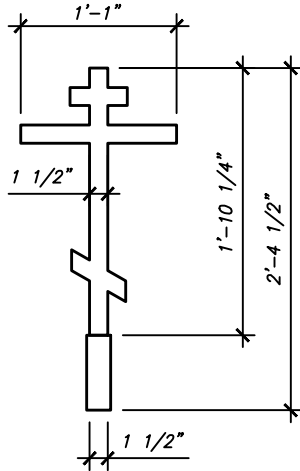


**ARCHITECTURAL FIBERGLASS, INC.**

8300 BESSEMER AVE., CLEVELAND, OHIO 44127-1839  
(216) 641-8300 - FAX:(216) 641-8150  
www.fiberglass-afi.com

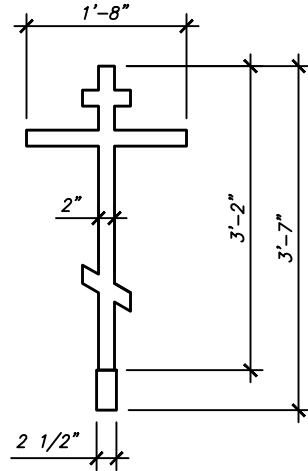
RO-227

HEIGHT: 2'-4 1/2"  
WIDTH: 1'-1"  
DEPTH: 1 1/2"



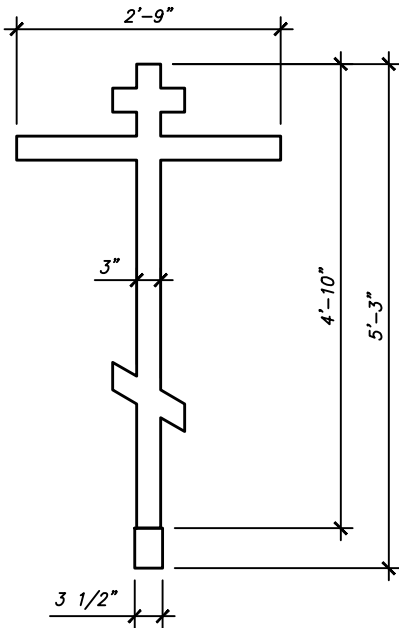
RO-207

HEIGHT: 3'-0"  
WIDTH: 1'-8"  
DEPTH: 2"



RO-208

HEIGHT: 5'-3"  
WIDTH: 2'-9"  
DEPTH: 3"



INTENTIONALLY LEFT BLANK

ORNAMENTS

SHEET NO.

C3-02

2020

CROSSES,  
THREE-BAR



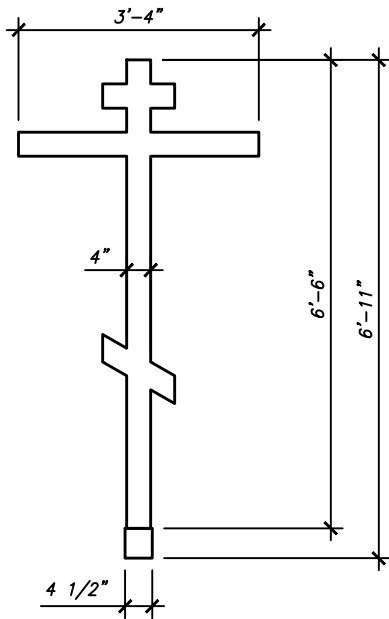
**ARCHITECTURAL FIBERGLASS, INC.**

8300 BESSEMER AVE., CLEVELAND, OHIO 44127-1839  
(216) 641-8300 - FAX:(216) 641-8150  
www.fiberglass-afi.com



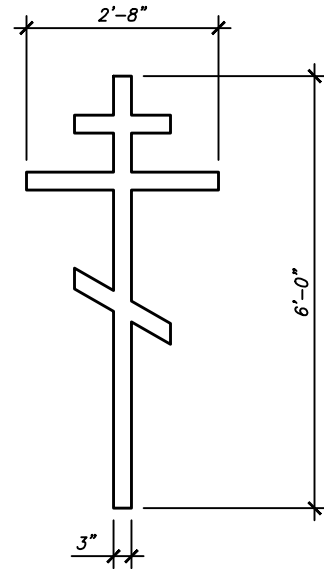
RO-211

HEIGHT: 6'-11"  
WIDTH: 3'-4"  
DEPTH: 4"



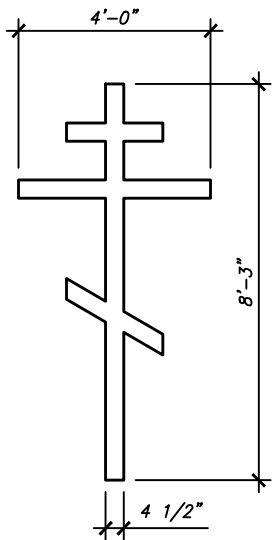
RO-225

HEIGHT: 6'-0"  
WIDTH: 2'-8"  
DEPTH: 3"



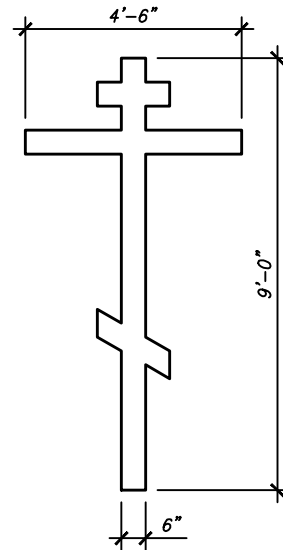
RO-226

HEIGHT: 8'-3"  
WIDTH: 4'-0"  
DEPTH: 4 1/2"



RO-215

HEIGHT: 9'-0"  
WIDTH: 4'-6"  
DEPTH: 6"



ORNAMENTS

SHEET NO.

C3-03

2020

CROSSES,  
THREE-BAR

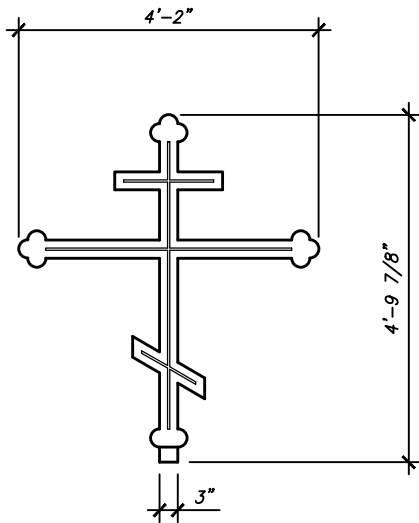


ARCHITECTURAL FIBERGLASS, INC.

8300 BESSEMER AVE., CLEVELAND, OHIO 44127-1839  
(216) 641-8300 - FAX:(216) 641-8150  
www.fiberglass-afi.com

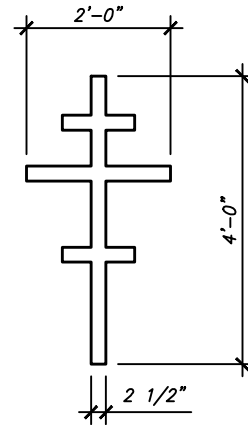
RO-220

HEIGHT: 4'-9 7/8"  
WIDTH: 4'-2"  
DEPTH: 3"



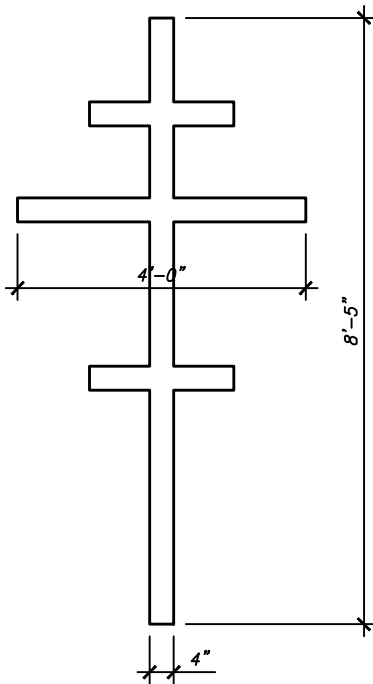
RO-229

HEIGHT: 4'-0"  
WIDTH: 2'-0"  
DEPTH: 2 1/2"



RO-221

HEIGHT: 8'-5"  
WIDTH: 4'-0"  
DEPTH: 4"



INTENTIONALLY LEFT BLANK

ORNAMENTS

SHEET NO.

C3-04

2020

CROSSES,  
THREE-BAR

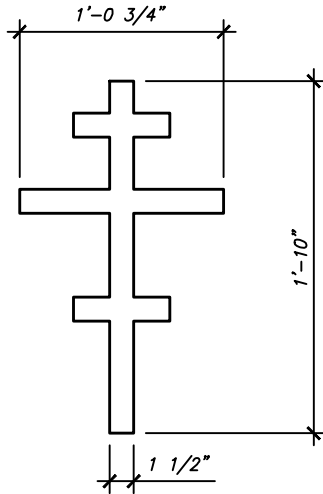


**ARCHITECTURAL FIBERGLASS, INC.**

8300 BESSEMER AVE., CLEVELAND, OHIO 44127-1839  
(216) 641-8300 - FAX:(216) 641-8150  
www.fiberglass-afi.com

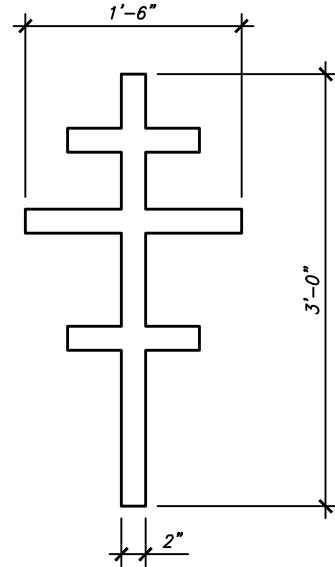
RO-216

HEIGHT: 1'-10"  
WIDTH: 1'-0 3/4"  
DEPTH: 1 1/2"



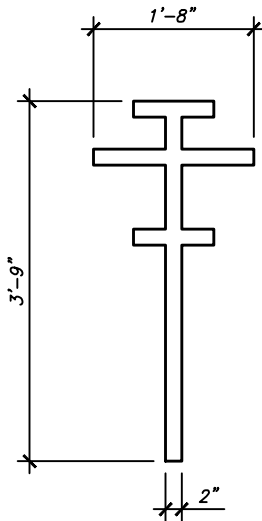
RO-217

HEIGHT: 3'-0"  
WIDTH: 1'-6"  
DEPTH: 2"



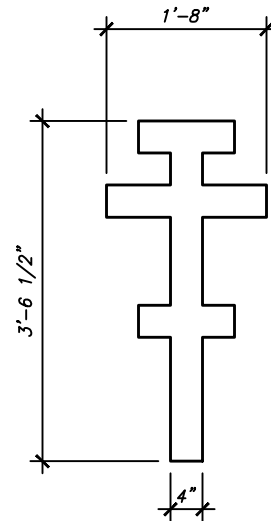
RO-218

HEIGHT: 3'-9"  
WIDTH: 1'-8"  
DEPTH: 2"



RO-219

HEIGHT: 3'-6 1/2"  
WIDTH: 1'-8"  
DEPTH: 4"



ORNAMENTS

SHEET NO.

C3-05

2020

CROSSES,  
THREE-BAR

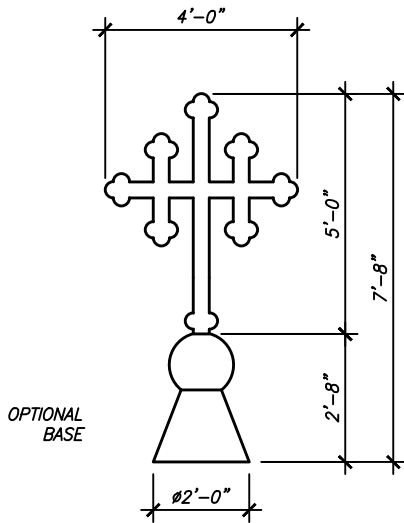


ARCHITECTURAL FIBERGLASS, INC.

8300 BESSEMER AVE., CLEVELAND, OHIO 44127-1839  
(216) 641-8300 - FAX:(216) 641-8150  
www.fiberglass-afi.com

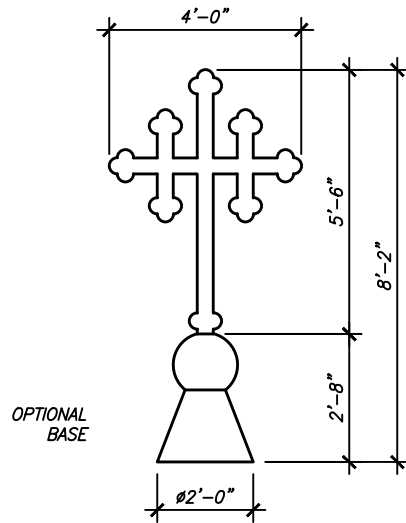
RO-222

HEIGHT: 7'-8"  
WIDTH: 4'-0"  
DEPTH: 4"



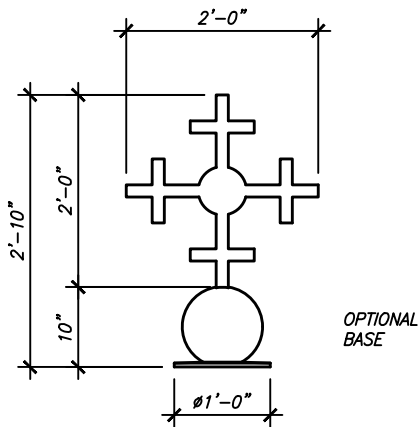
RO-223

HEIGHT: 8'-2"  
WIDTH: 4'-0"  
DEPTH: 4"



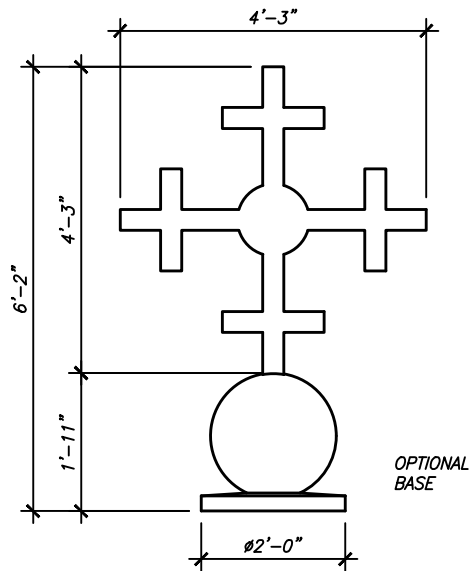
RO-230

HEIGHT: 2'-10"  
WIDTH: 2'-0"  
DEPTH: 1 3/4"



RO-231

HEIGHT: 6'-2"  
WIDTH: 4'-3"  
DEPTH: 3 3/4"



ORNAMENTS

SHEET NO.

C3-06

2020

CROSSES,  
THREE-BAR

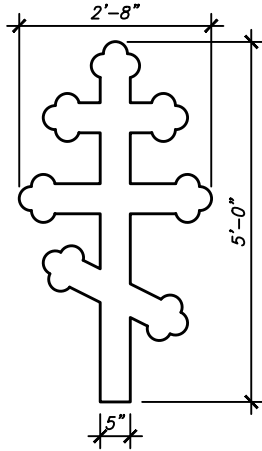


**ARCHITECTURAL FIBERGLASS, INC.**

8300 BESSEMER AVE., CLEVELAND, OHIO 44127-1839  
(216) 641-8300 - FAX:(216) 641-8150  
www.fiberglass-afi.com

*RO-232*

*HEIGHT: 5'-0"*  
*WIDTH: 2'-8"*  
*DEPTH: 3"*



*INTENTIONALLY LEFT BLANK*

*INTENTIONALLY LEFT BLANK*

*INTENTIONALLY LEFT BLANK*

ORNAMENTS

SHEET NO.

**C3-07**

2020

CROSSES,  
THREE-BAR

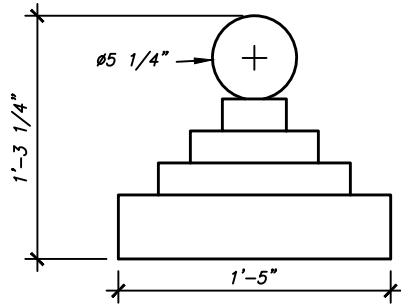


***ARCHITECTURAL FIBERGLASS, INC.***

8300 BESSEMER AVE., CLEVELAND, OHIO 44127-1839  
(216) 641-8300 - FAX:(216) 641-8150  
[www.fiberglass-afi.com](http://www.fiberglass-afi.com)

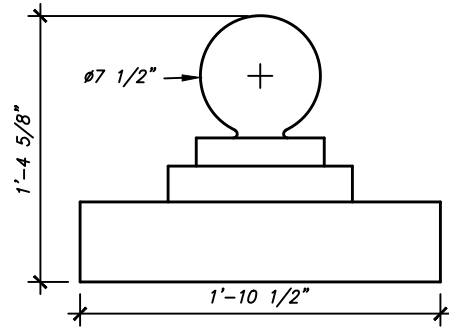
KB-01

HEIGHT:  
WIDTH:



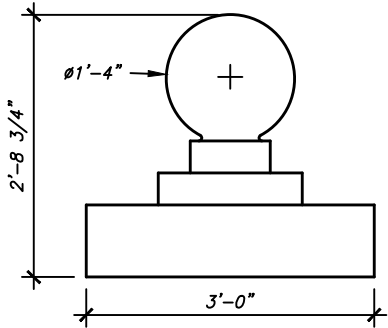
KB-02

HEIGHT:  
WIDTH:



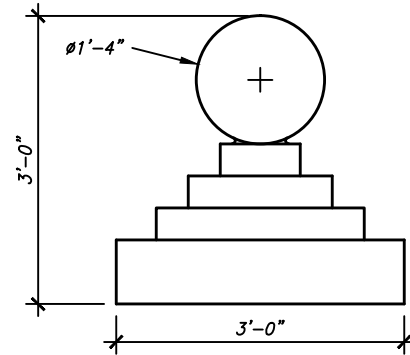
KB-03

HEIGHT:  $2'-8 \frac{3}{4}''$   
WIDTH:  $3'-0''$



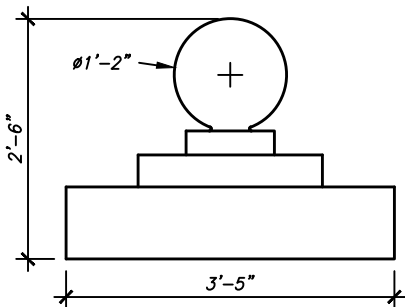
KB-04

HEIGHT:  
WIDTH:



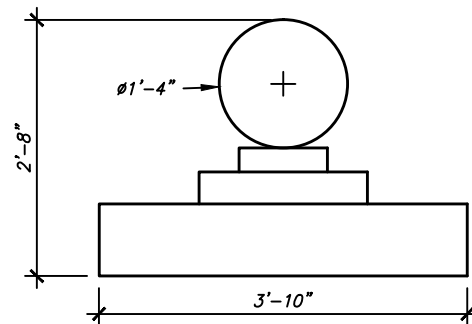
KB-05

HEIGHT:  
WIDTH:



KB-06

HEIGHT:  
WIDTH:



ORNAMENTS

SHEET NO.

**CB-01**

2020

CROSS  
BASES

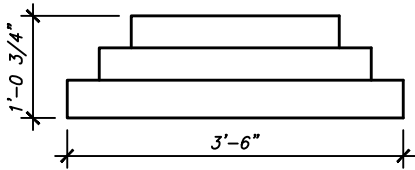


**ARCHITECTURAL FIBERGLASS, INC.**

8300 BESSEMER AVE., CLEVELAND, OHIO 44127-1839  
(216) 641-8300 - FAX:(216) 641-8150  
www.fiberglass-afi.com

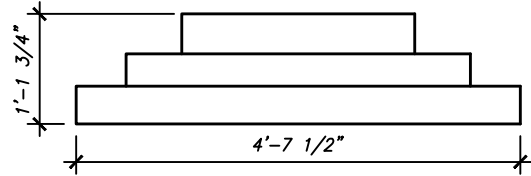
KB-07

HEIGHT:  
WIDTH:



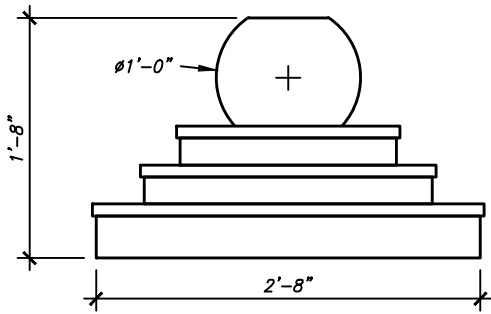
KB-08

HEIGHT:  
WIDTH:



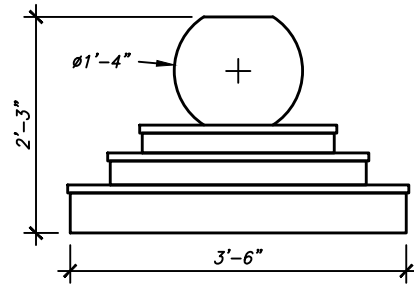
KB-09

HEIGHT: 3'-0"  
WIDTH:



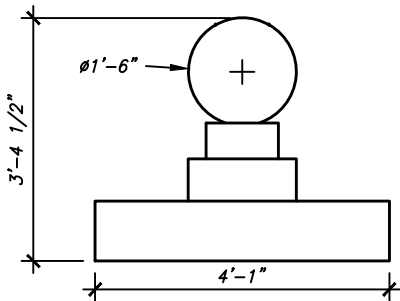
KB-10

HEIGHT:  
WIDTH:



KB-11

HEIGHT:  
WIDTH:



INTENTIONALLY LEFT BLANK

ORNAMENTS

SHEET NO.

**CB-02**

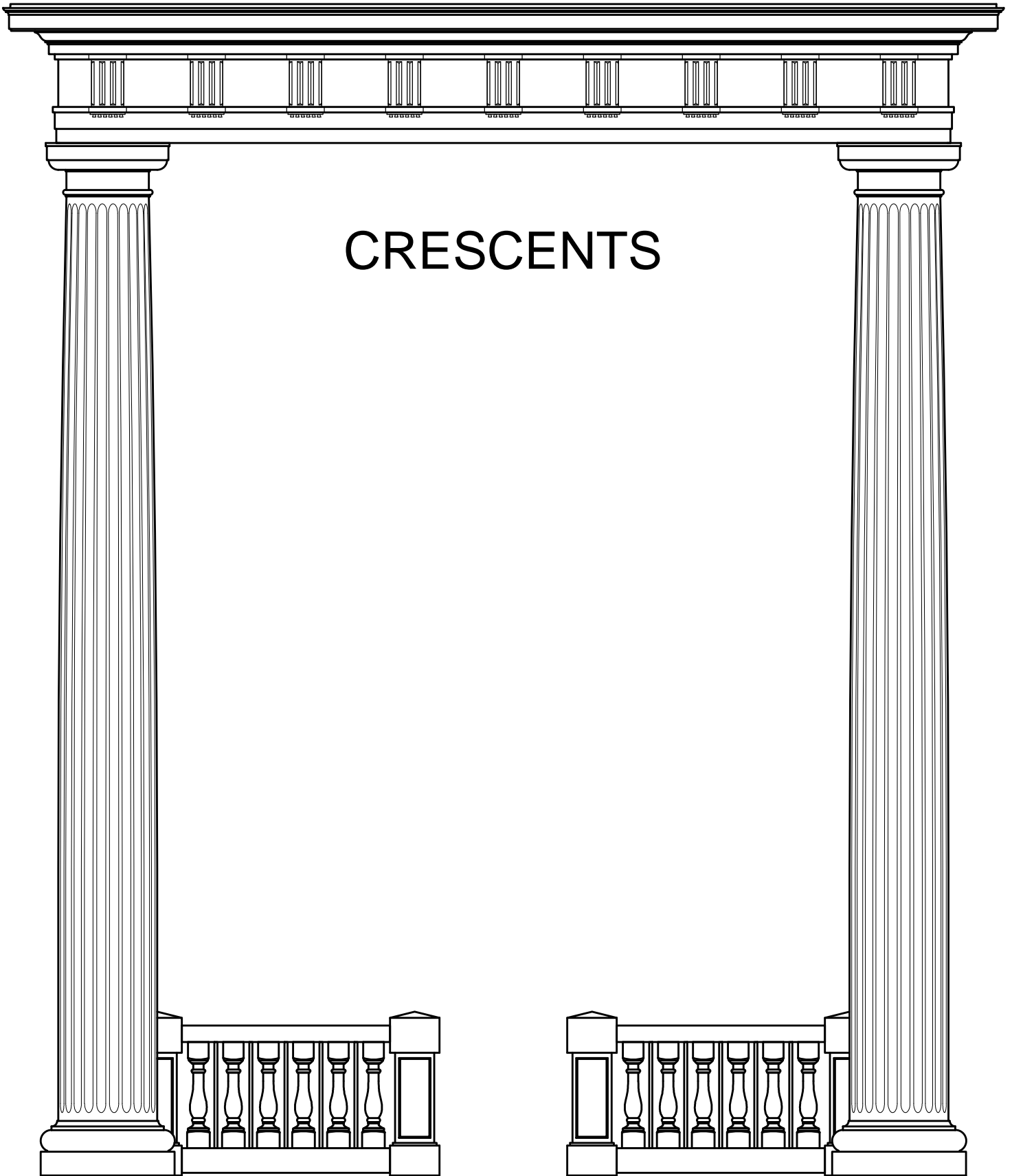
2020

CROSS  
BASES



**ARCHITECTURAL FIBERGLASS, INC.**

8300 BESSEMER AVE., CLEVELAND, OHIO 44127-1839  
(216) 641-8300 - FAX:(216) 641-8150  
www.fiberglass-afi.com



CRESCENTS



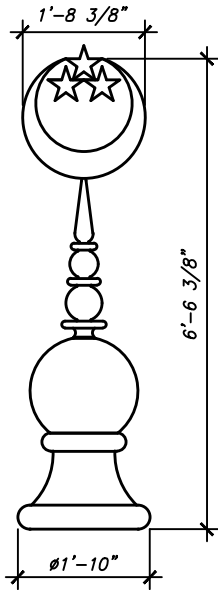
ARCHITECTURAL FIBERGLASS, INC.

8300 Bessemer Ave. \* Cleveland, OH 44127-1839 \* 216-641-8300 \* Fax 216-641-8150 \* [www.fiberglass-afi.com](http://www.fiberglass-afi.com)



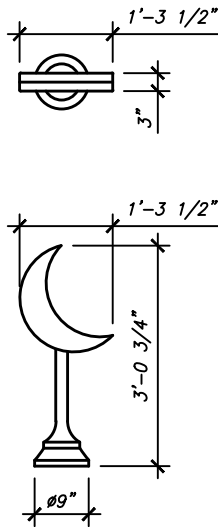
RO-301

HEIGHT: 6'-6 3/8"  
WIDTH: 1'-10"  
DEPTH:



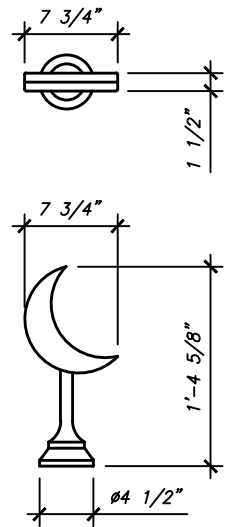
RO-302

HEIGHT: 3'-0 3/4"  
WIDTH: 1'-3 1/2"  
DEPTH: 3"



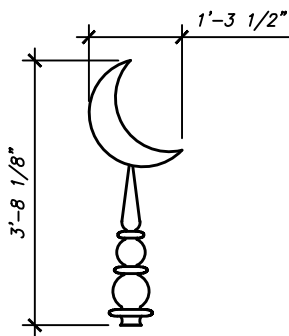
RO-303

HEIGHT: 1'-4 5/8"  
WIDTH: 7 3/4"  
DEPTH: 3"  
SQ.FT.: .83



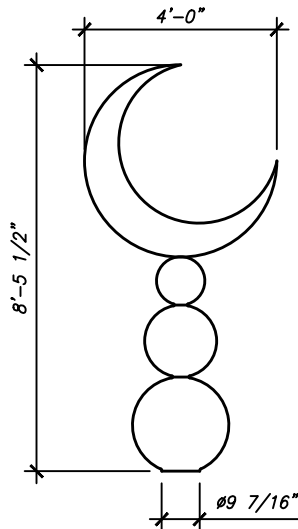
RO-304

HEIGHT: 3'-8 1/8"  
WIDTH: 1'-3 1/2"  
DEPTH: 3"



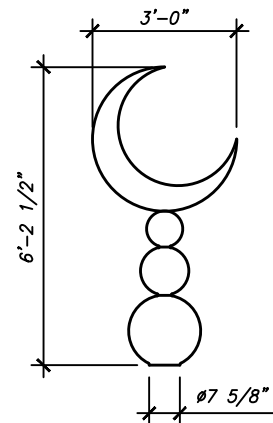
RO-305

HEIGHT: 8'-6"  
WIDTH: 4'-0"  
DEPTH: 3"



RO-306

HEIGHT: 6'-3"  
WIDTH: 3'-0"  
DEPTH: 3"



ORNAMENTS

SHEET NO.

IC-01

2020

CRESCENTS

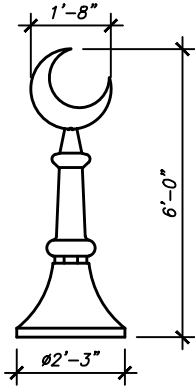
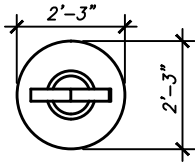


**ARCHITECTURAL FIBERGLASS, INC.**

8300 BESSEMER AVE., CLEVELAND, OHIO 44127-1839  
(216) 641-8300 - FAX:(216) 641-8150  
www.fiberglass-afi.com

RO-307

HEIGHT: 6'-0"  
WIDTH: 2'-3"  
DEPTH:



ORNAMENTS

SHEET NO.

IC-02

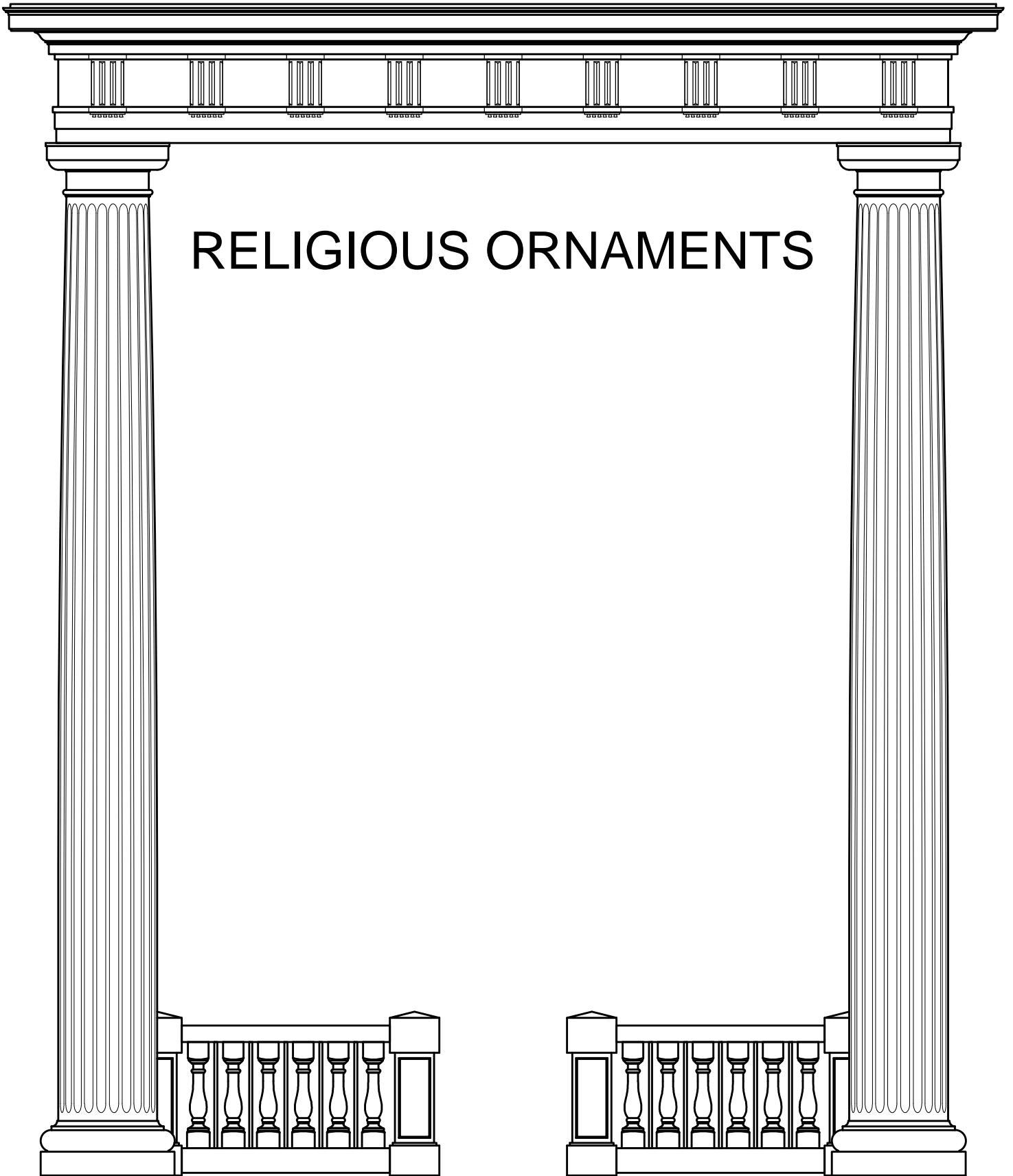
2020

CRESCENTS



*ARCHITECTURAL FIBERGLASS, INC.*

8300 BESSEMER AVE., CLEVELAND, OHIO 44127-1839  
(216) 641-8300 - FAX:(216) 641-8150  
[www.fiberglass-afi.com](http://www.fiberglass-afi.com)



# RELIGIOUS ORNAMENTS

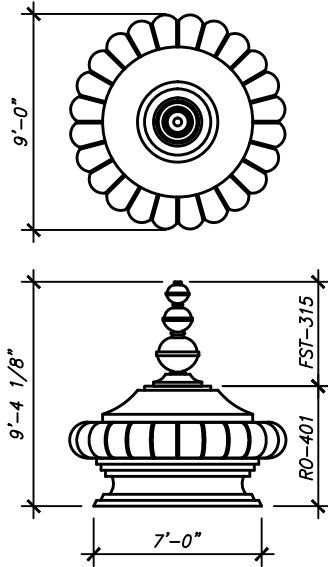


**ARCHITECTURAL FIBERGLASS, INC.**

8300 Bessemer Ave. \* Cleveland, OH 44127-1839 \* 216-641-8300 \* Fax 216-641-8150 \* [www.fiberglass-afi.com](http://www.fiberglass-afi.com)

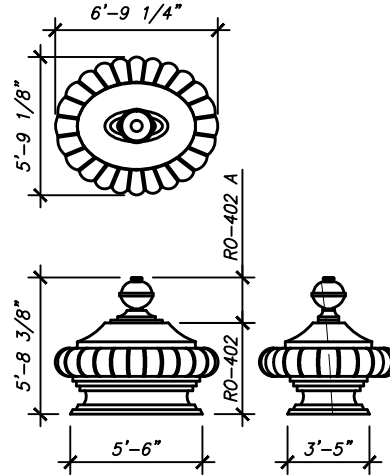
RO-401

HEIGHT: 9'-4 1/8"  
WIDTH: 9'-0"  
BASE: 7'-0"



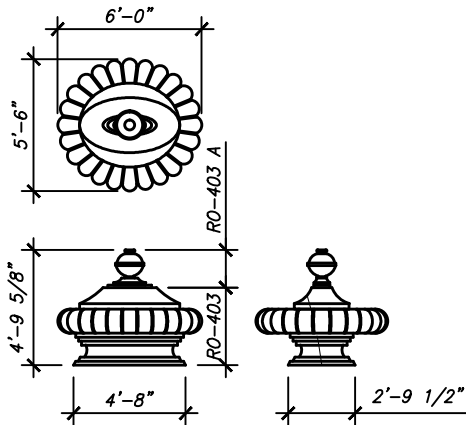
RO-402

HEIGHT: 5'-8 3/8"  
WIDTH: 6'-9 1/4" x 5'-9 1/8"  
BASE: 5'-6" x 3'-5"



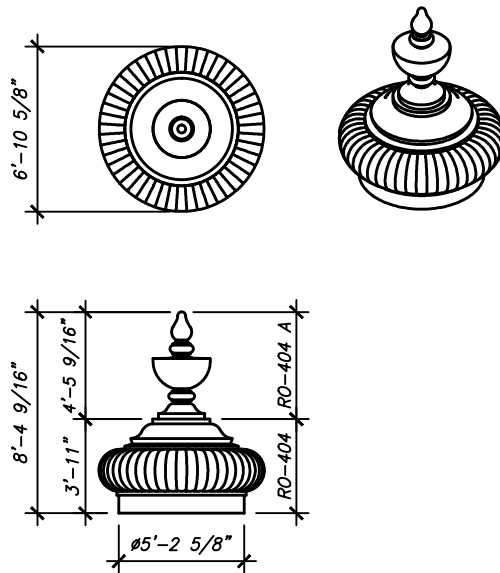
RO-403

HEIGHT: 4'-9 5/8"  
WIDTH: 6'-0" x 5'-6"  
BASE: 4'-8" x 2'-9 1/2"



RO-404

HEIGHT: 8'-4 9/16"  
WIDTH: 6'-10 5/8"  
BASE: 5'-2 5/8"



ORNAMENTS

SHEET NO.

OR-01

2020

HINDU  
ORNAMENTS

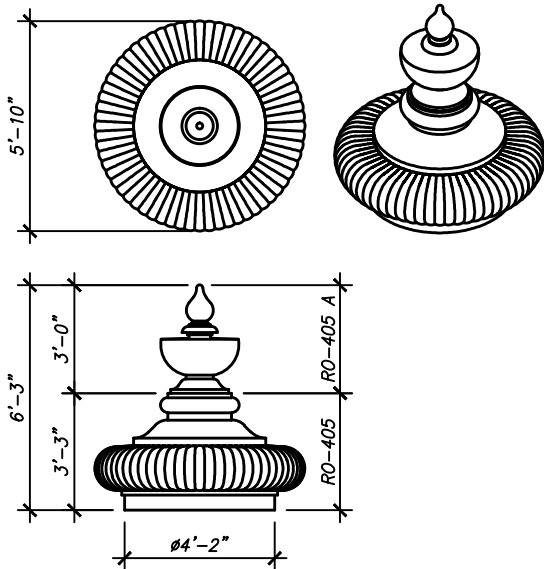


**ARCHITECTURAL FIBERGLASS, INC.**

8300 BESSEMER AVE., CLEVELAND, OHIO 44127-1839  
(216) 641-8300 - FAX:(216) 641-8150  
www.fiberglass-afi.com

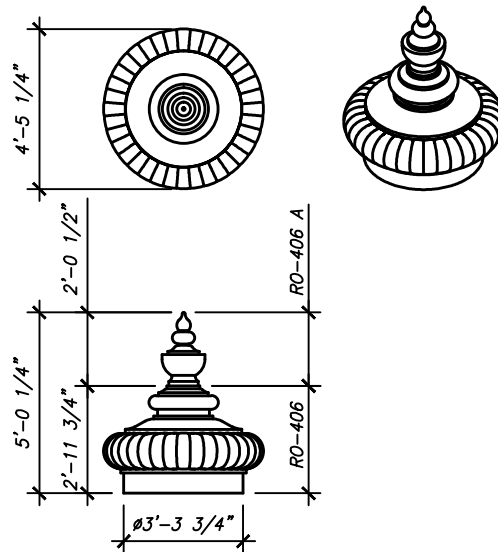
RO-405

HEIGHT: 6'-3"  
WIDTH: 5'-10"  
BASE: 4'-2"



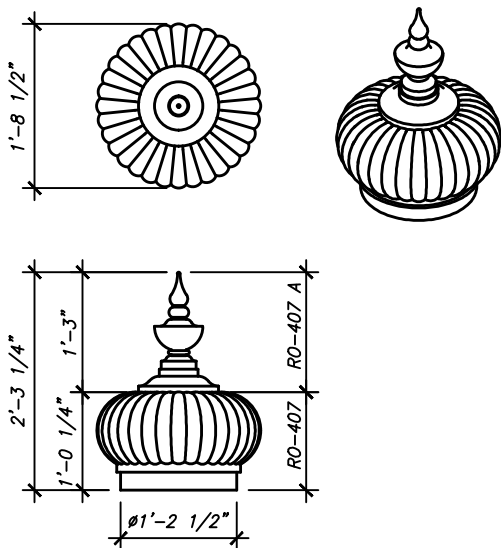
RO-406

HEIGHT: 5'-0 1/4"  
WIDTH: 4'-5 1/4"  
BASE: 3'-3 3/4"



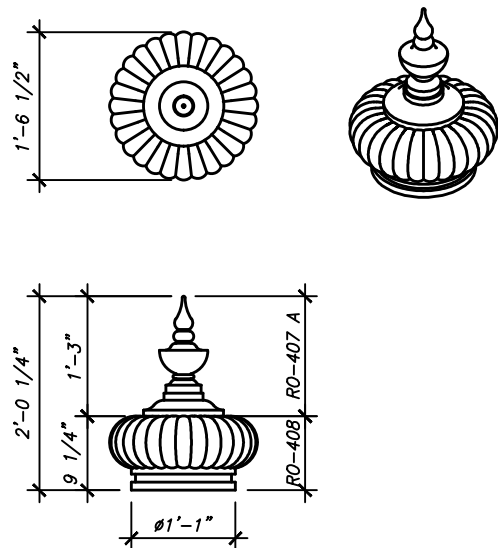
RO-407

HEIGHT: 2'-3 1/4"  
WIDTH: 1'-8 1/2"  
BASE: 1'-2 1/2"



RO-408

HEIGHT: 2'-0 1/4"  
WIDTH: 1'-6 1/2"  
BASE: 1'-1"



ORNAMENTS

SHEET NO.

**OR-02**

2020

HINDU  
ORNAMENTS

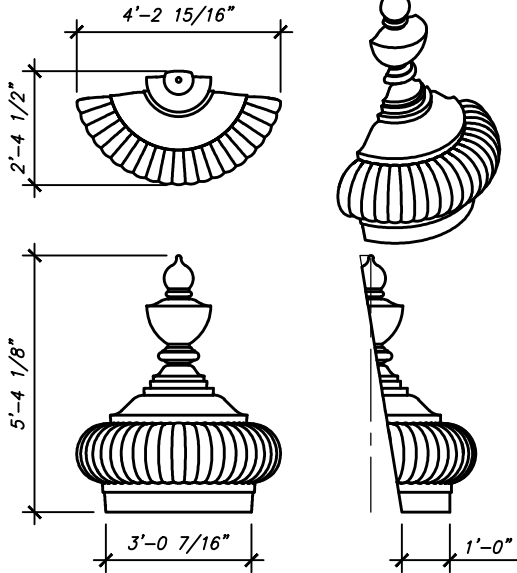


**ARCHITECTURAL FIBERGLASS, INC.**

8300 BESSEMER AVE., CLEVELAND, OHIO 44127-1839  
(216) 641-8300 - FAX:(216) 641-8150  
www.fiberglass-afi.com

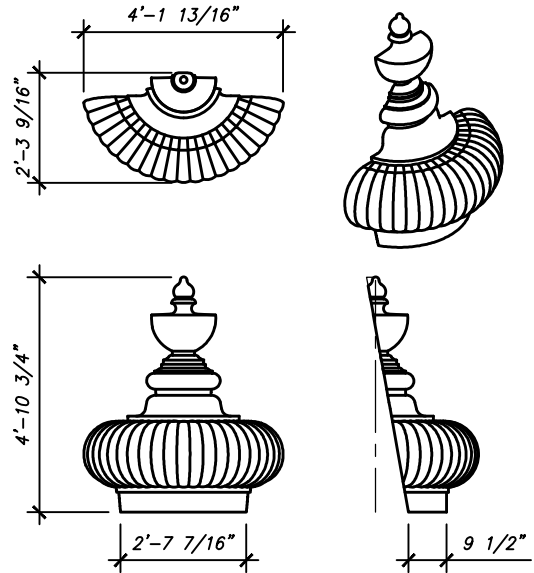
RO-409

HEIGHT: 5'-4 1/8"  
WIDTH: 4'-2 15/16"  
BASE: 3'-0 7/16"



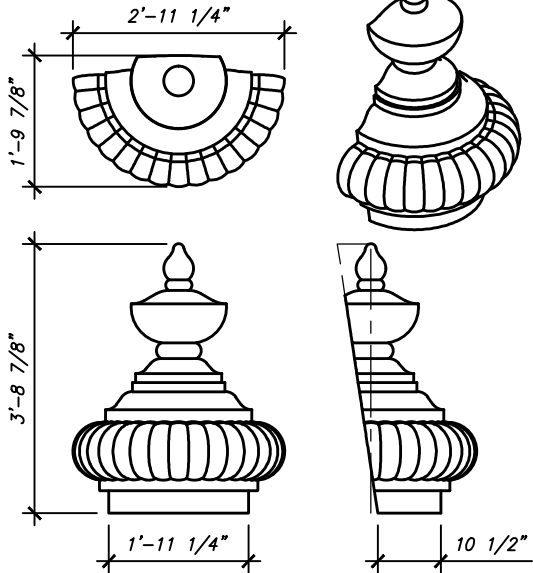
RO-410

HEIGHT: 4'-10 3/4"  
WIDTH: 4'-1 13/16"  
BASE: 2'-7 7/16"



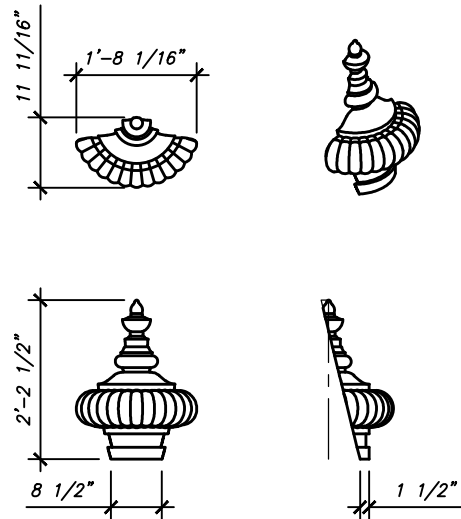
RO-411

HEIGHT: 3'-8 7/8"  
WIDTH: 2'-11 1/4"  
BASE: 1'-11 1/4"



RO-412

HEIGHT: 2'-2 1/2"  
WIDTH: 1'-8 1/16"  
BASE: 8 1/2"



ORNAMENTS

SHEET NO.

**OR-03**

2020

HINDU  
ORNAMENTS

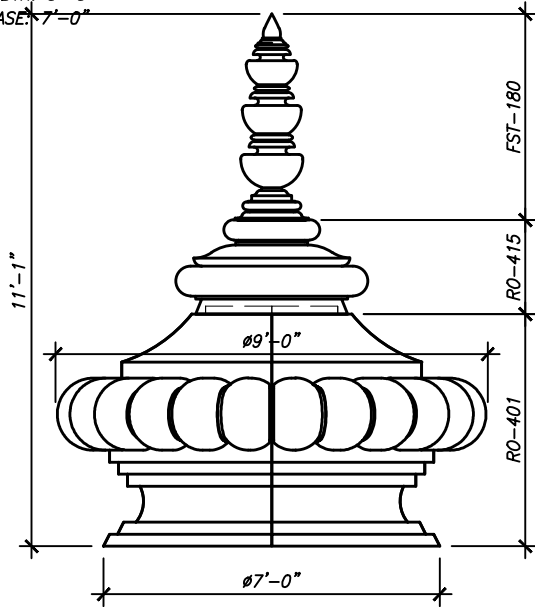


**ARCHITECTURAL FIBERGLASS, INC.**

8300 BESSEMER AVE., CLEVELAND, OHIO 44127-1839  
(216) 641-8300 - FAX:(216) 641-8150  
www.fiberglass-afi.com

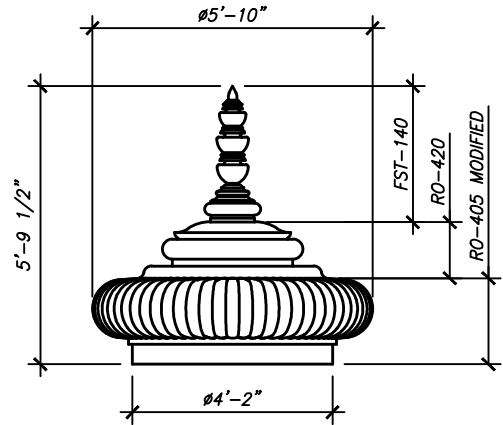
RO-413

HEIGHT: 11'-0 3/4"  
WIDTH: 9'-0"  
BASE: 7'-0"



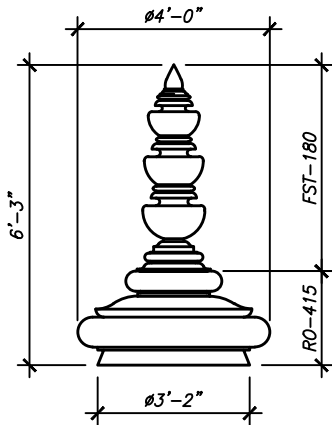
RO-414

HEIGHT: 5'-9 1/2"  
WIDTH: 5'-10"  
BASE: 4'-2"



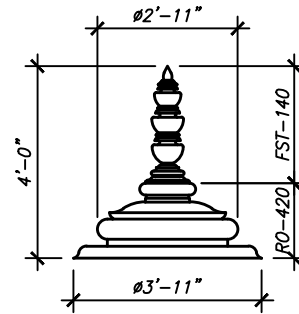
RO-415

HEIGHT: 6'-2 3/4"  
WIDTH: 4'-0"  
BASE: 3'-2"



RO-420

HEIGHT: 4'-0"  
WIDTH: 2'-11"  
BASE: 3'-11"



ORNAMENTS

SHEET NO.

OR-04

2020

HINDU  
ORNAMENTS

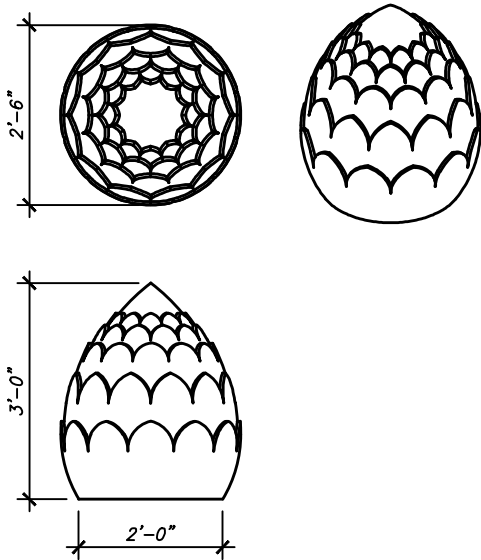


**ARCHITECTURAL FIBERGLASS, INC.**

8300 BESSEMER AVE., CLEVELAND, OHIO 44127-1839  
(216) 641-8300 - FAX:(216) 641-8150  
www.fiberglass-afi.com

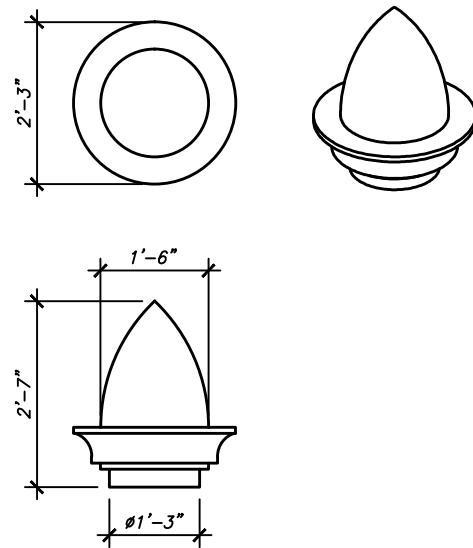
RO-416

HEIGHT: 3'-0"  
WIDTH: 2'-6"  
BASE: 2'-0"



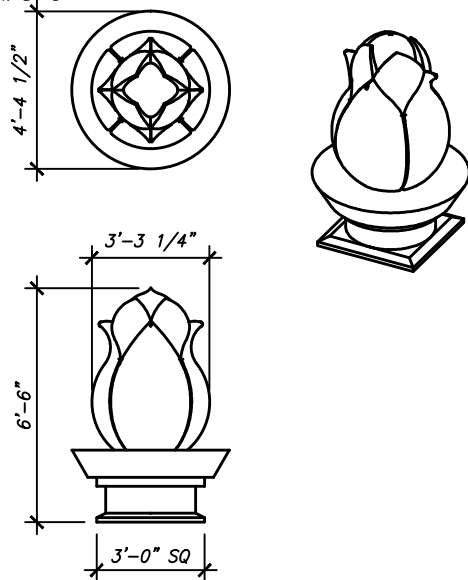
RO-417

HEIGHT: 2'-7"  
WIDTH: 2'-3"  
BASE: 1'-3"



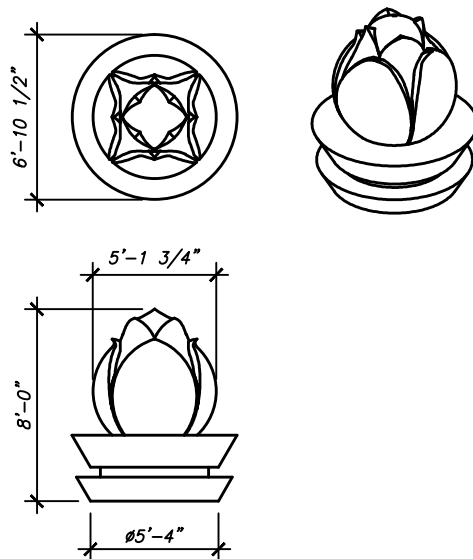
RO-418

HEIGHT: 6'-6"  
WIDTH: 4'-4 1/2"  
WIDTH: 3'-0"



RO-419

HEIGHT: 8'-0"  
WIDTH: 6'-10 1/2"  
BASE: 5'-4"



ORNAMENTS

SHEET NO.

**OR-05**

2020

HINDU  
ORNAMENTS



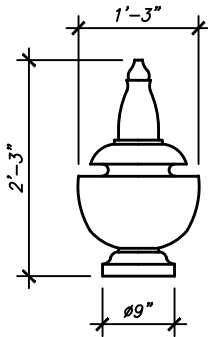
**ARCHITECTURAL FIBERGLASS, INC.**

8300 BESSEMER AVE., CLEVELAND, OHIO 44127-1839  
(216) 641-8300 - FAX:(216) 641-8150  
www.fiberglass-afi.com



RO-421

HEIGHT: 2'-3"  
WIDTH: 1'-3"  
BASE: 9"



ORNAMENTS

SHEET NO.

OR-06

2020

HINDU  
ORNAMENTS



*ARCHITECTURAL FIBERGLASS, INC.*

8300 BESSEMER AVE., CLEVELAND, OHIO 44127-1839  
(216) 641-8300 - FAX:(216) 641-8150  
[www.fiberglass-afi.com](http://www.fiberglass-afi.com)