

# CROSSES

- |                   |               |
|-------------------|---------------|
| ONE-BAR CROSSES   | C1-01 - C1-13 |
| THREE-BAR CROSSES | C3-01 - C3-07 |
| CROSS BASES       | CB-01 - CB-02 |

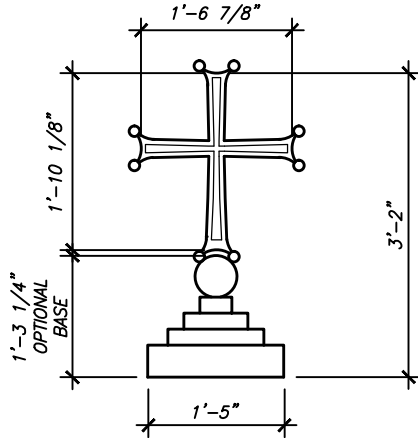


ARCHITECTURAL FIBERGLASS, INC.

8300 Bessemer Ave. \* Cleveland, OH 44127-1839 \* 216-641-8300 \* Fax 216-641-8150 \* [www.fiberglass-afi.com](http://www.fiberglass-afi.com)

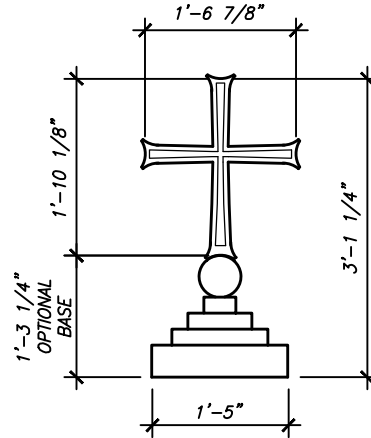
RO-101

HEIGHT: 3'-2"  
WIDTH: 1'-6 7/8"  
DEPTH: 1 1/2"



RO-103

HEIGHT: 3'-1 1/4"  
WIDTH: 1'-6 7/8"  
DEPTH: 1 1/2"



INTENTIONALLY LEFT BLANK

INTENTIONALLY LEFT BLANK

ORNAMENTS

SHEET NO.

C1-01

2020

CROSSES,  
ONE-BAR

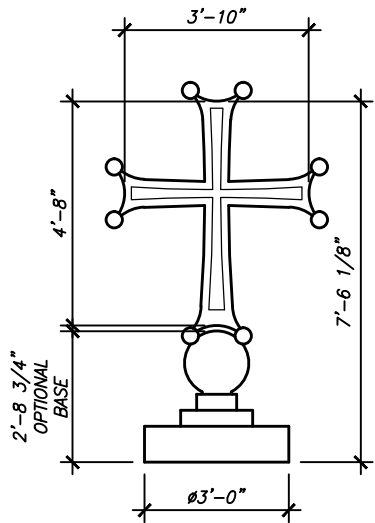


**ARCHITECTURAL FIBERGLASS, INC.**

8300 BESSEMER AVE., CLEVELAND, OHIO 44127-1839  
(216) 641-8300 - FAX:(216) 641-8150  
www.fiberglass-afi.com

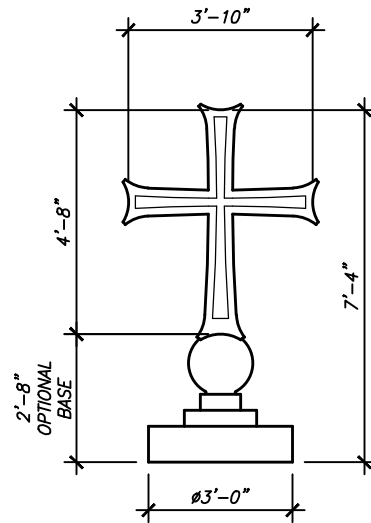
RO-122

HEIGHT: 7'-6 1/8"  
WIDTH: 3'-10"  
DEPTH: 4"



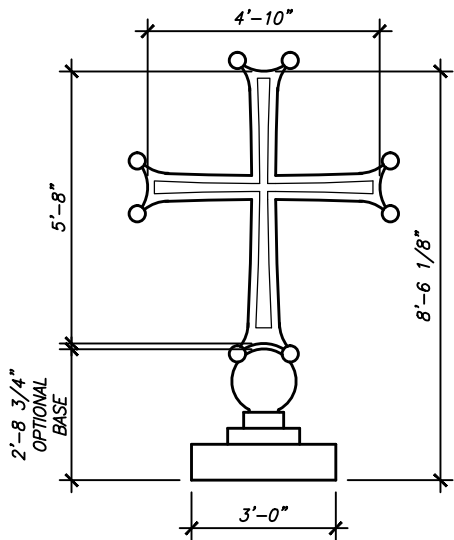
RO-120

HEIGHT: 7'-4"  
WIDTH: 3'-10"  
DEPTH: 4"



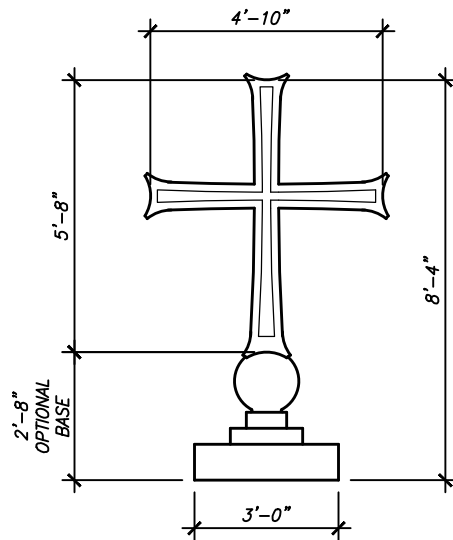
RO-102

HEIGHT: 8'-6 1/8"  
WIDTH: 4'-10"  
DEPTH: 4"



RO-104

HEIGHT: 8'-4"  
WIDTH: 4'-10"  
DEPTH: 4"



ORNAMENTS

SHEET NO.

C1-02

2020

CROSSES,  
ONE-BAR

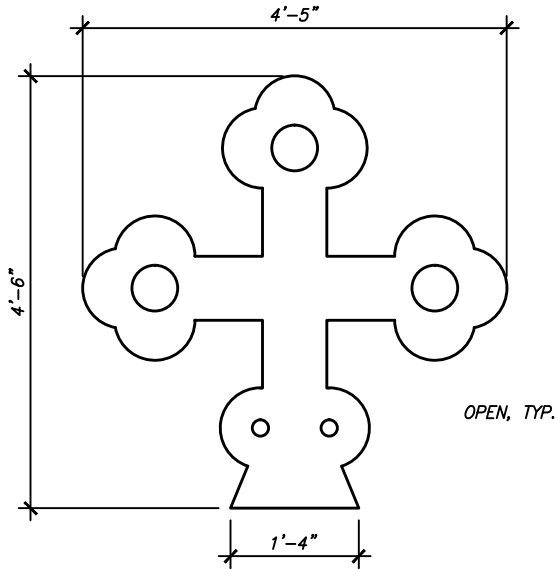


**ARCHITECTURAL FIBERGLASS, INC.**

8300 BESSEMER AVE., CLEVELAND, OHIO 44127-1839  
(216) 641-8300 - FAX:(216) 641-8150  
www.fiberglass-afi.com

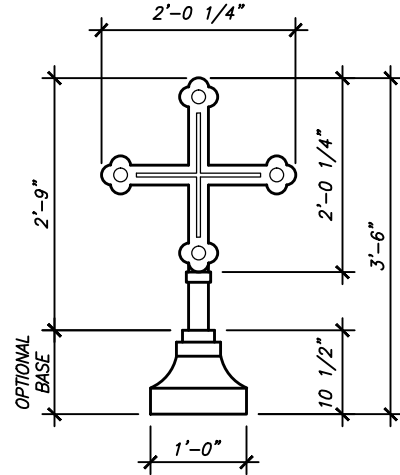
RO-106

HEIGHT: 4'-6"  
WIDTH: 4'-5"  
DEPTH: 6"



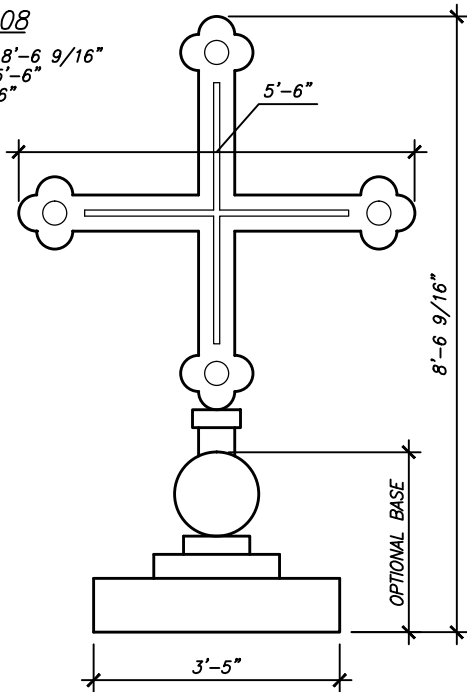
RO-107

HEIGHT: 3'-6"  
WIDTH: 2'-0 1/4"  
DEPTH: 2 1/2"



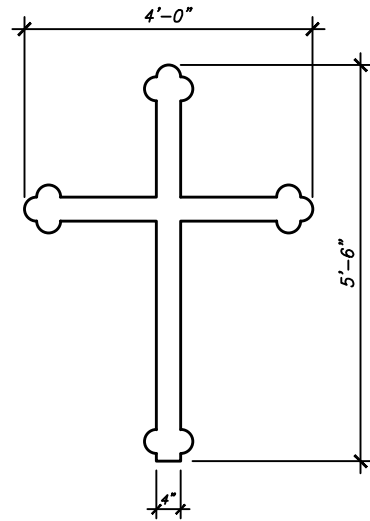
RO-108

HEIGHT: 8'-6 9/16"  
WIDTH: 5'-6"  
DEPTH: 6"



RO-119

HEIGHT: 5'-6"  
WIDTH: 4'-0"  
DEPTH: 4"



ORNAMENTS

SHEET NO.

C1-03

2020

CROSSES,  
ONE-BAR

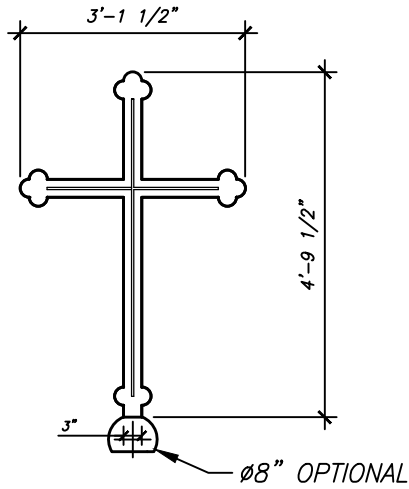


ARCHITECTURAL FIBERGLASS, INC.

8300 BESSEMER AVE., CLEVELAND, OHIO 44127-1839  
(216) 641-8300 - FAX:(216) 641-8150  
www.fiberglass-afi.com

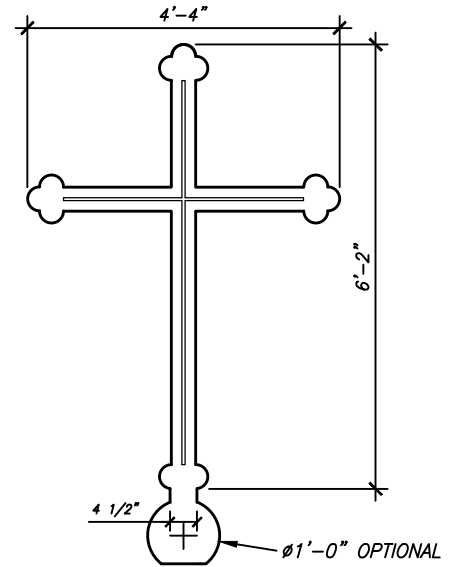
RO-109

HEIGHT: 4'-7 1/2"  
WIDTH: 3'-1 1/2"  
DEPTH: 3"



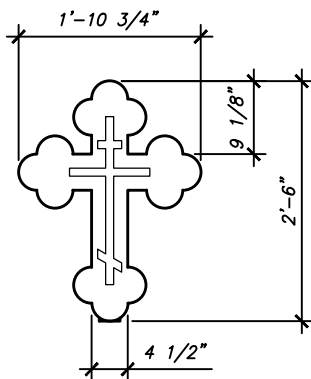
RO-110

HEIGHT: 6'-2"  
WIDTH: 4'-4"  
DEPTH: 4 1/2"



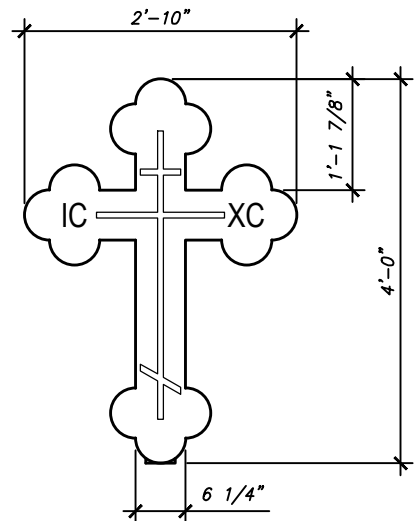
RO-123

HEIGHT: 2'-6"  
WIDTH: 1'-10 3/4"  
DEPTH: 4"



RO-124

HEIGHT: 4'-0"  
WIDTH: 2'-10"  
DEPTH: 4"



ORNAMENTS

SHEET NO.

C1-04

2020

CROSSES,  
ONE-BAR

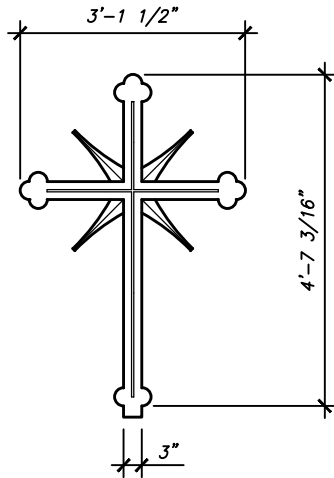


**ARCHITECTURAL FIBERGLASS, INC.**

8300 BESSEMER AVE., CLEVELAND, OHIO 44127-1839  
(216) 641-8300 - FAX:(216) 641-8150  
www.fiberglass-afi.com

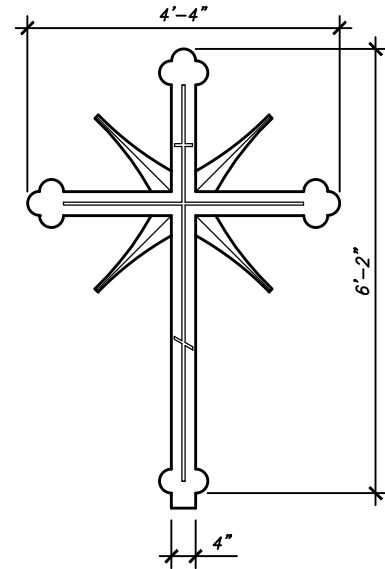
RO-115

HEIGHT: 4'-7 3/16"  
WIDTH: 3'-1 1/2"  
DEPTH: 3"



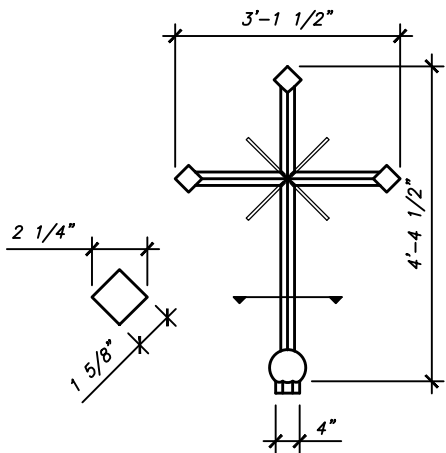
RO-116

HEIGHT: 6'-2"  
WIDTH: 4'-4"  
DEPTH: 4 1/2"



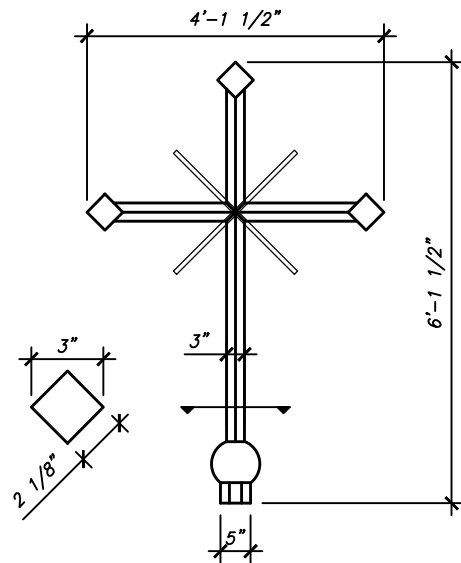
RO-117

HEIGHT: 4'-4 1/2"  
WIDTH: 3'-1 1/2"  
DEPTH: 2 1/4"



RO-118

HEIGHT: 6'-1 1/2"  
WIDTH: 4'-1 1/2"  
DEPTH: 3"



ORNAMENTS

SHEET NO.

**C1-05**

2020

CROSSES,  
ONE-BAR

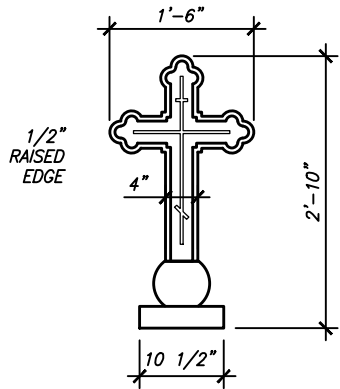


**ARCHITECTURAL FIBERGLASS, INC.**

8300 BESSEMER AVE., CLEVELAND, OHIO 44127-1839  
(216) 641-8300 - FAX:(216) 641-8150  
www.fiberglass-afi.com

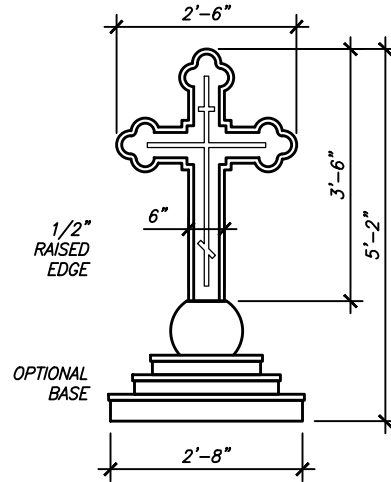
RO-125

HEIGHT: 2'-10"  
WIDTH: 1'-6"  
DEPTH: 3"



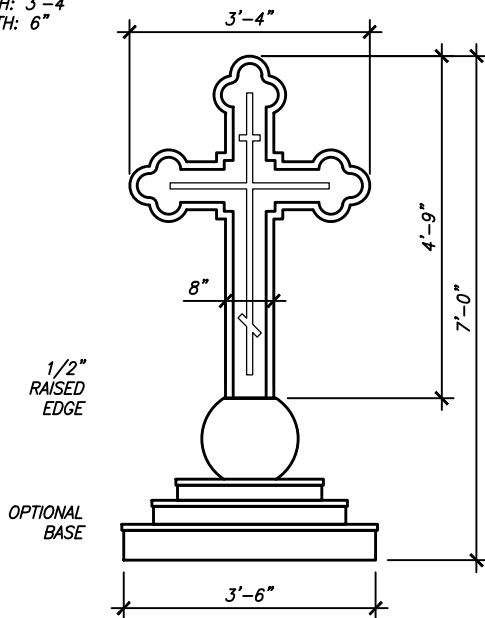
RO-126

HEIGHT: 5'-2"  
WIDTH: 2'-6"  
DEPTH: 4 1/2"



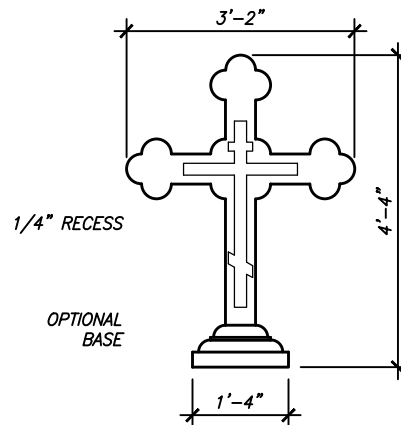
RO-127

HEIGHT: 7'-0"  
WIDTH: 3'-4"  
DEPTH: 6"



RO-128

HEIGHT: 4'-4"  
WIDTH: 3'-2"  
DEPTH: 2"



ORNAMENTS

SHEET NO.

C1-06

2020

CROSSES,  
ONE-BAR

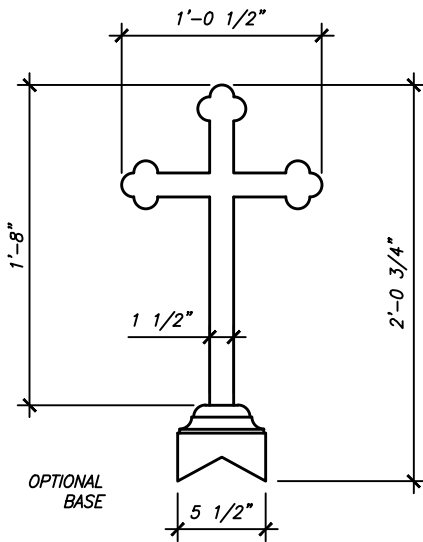


**ARCHITECTURAL FIBERGLASS, INC.**

8300 BESSEMER AVE., CLEVELAND, OHIO 44127-1839  
(216) 641-8300 - FAX:(216) 641-8150  
www.fiberglass-afi.com

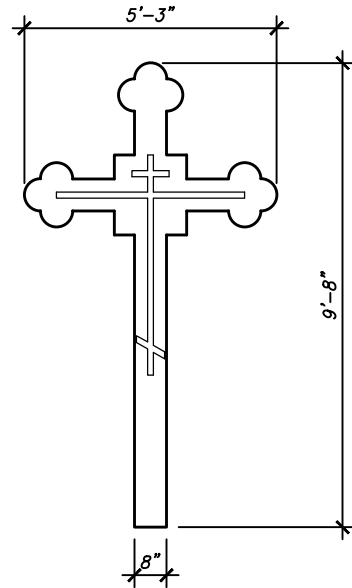
RO-132

HEIGHT: 2'-0 3/4"  
WIDTH: 1'-0 1/2"  
DEPTH: 2"



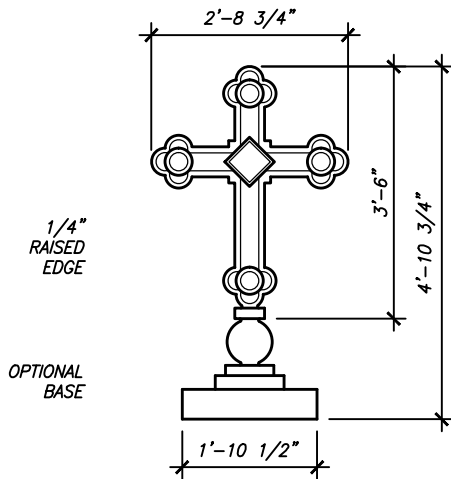
RO-114

HEIGHT: 9'-8"  
WIDTH: 5'-3"  
DEPTH: 8"



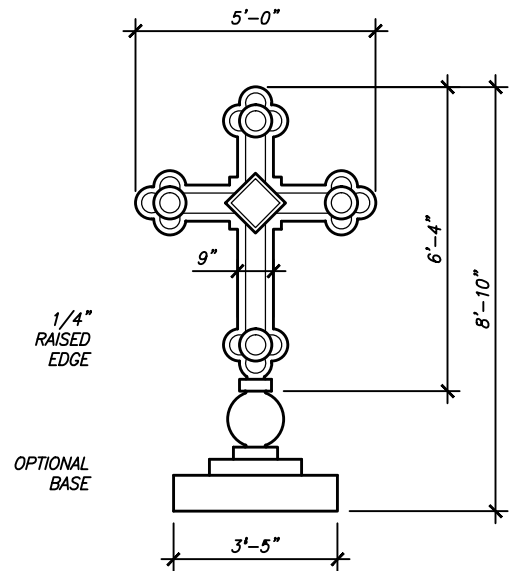
RO-130

HEIGHT: 4'-10 3/4"  
WIDTH: 2'-8 3/4"  
DEPTH: 3"



RO-131

HEIGHT: 8'-10"  
WIDTH: 5'-0"  
DEPTH: 4"



ORNAMENTS

SHEET NO.

C1-07

2020

CROSSES,  
ONE-BAR



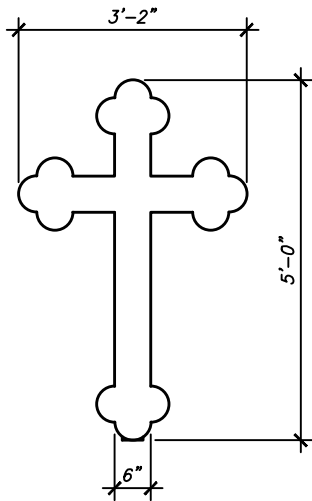
**ARCHITECTURAL FIBERGLASS, INC.**

8300 BESSEMER AVE., CLEVELAND, OHIO 44127-1839  
(216) 641-8300 - FAX:(216) 641-8150  
www.fiberglass-afi.com



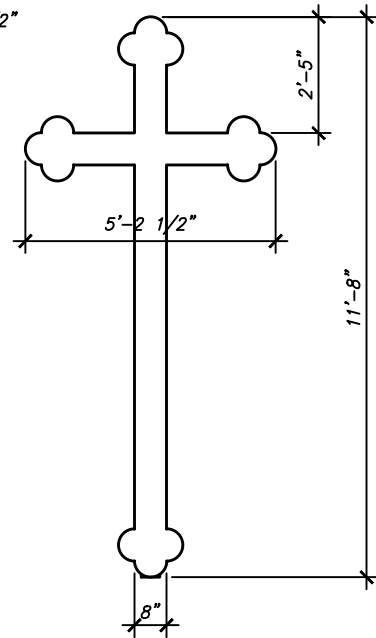
RO-133

HEIGHT: 5'-0"  
WIDTH: 3'-2"  
DEPTH: 6"



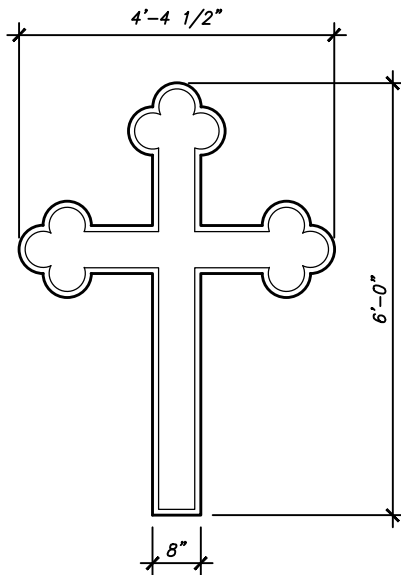
RO-141

HEIGHT: 11'-8"  
WIDTH: 5'-2 1/2"  
DEPTH: 8"



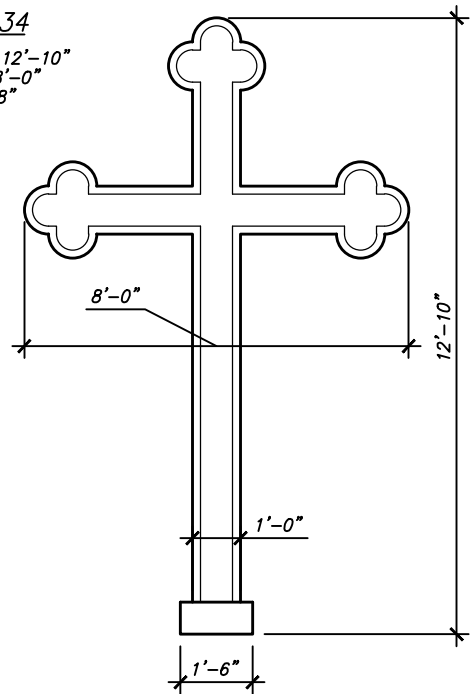
RO-121

HEIGHT: 6'-0"  
WIDTH: 4'-4 1/2"  
DEPTH: 8"



RO-134

HEIGHT: 12'-10"  
WIDTH: 8'-0"  
DEPTH: 8"



ORNAMENTS

SHEET NO.

C1-08

2020

CROSSES,  
ONE-BAR

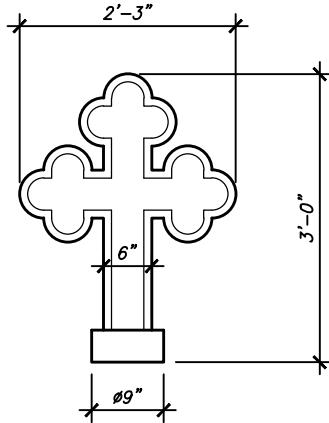


ARCHITECTURAL FIBERGLASS, INC.

8300 BESSEMER AVE., CLEVELAND, OHIO 44127-1839  
(216) 641-8300 - FAX:(216) 641-8150  
www.fiberglass-afi.com

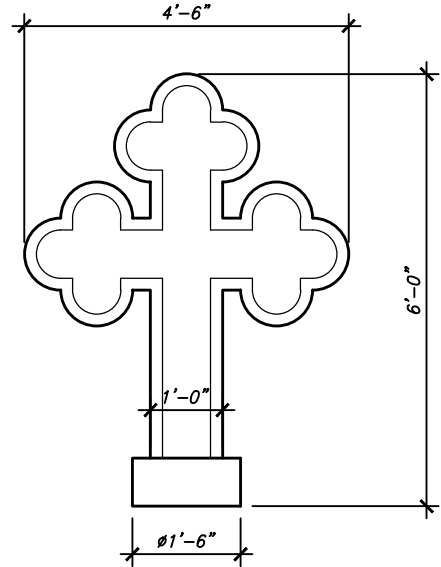
RO-135

HEIGHT: 3'-0"  
WIDTH: 2'-3"  
DEPTH: 4"



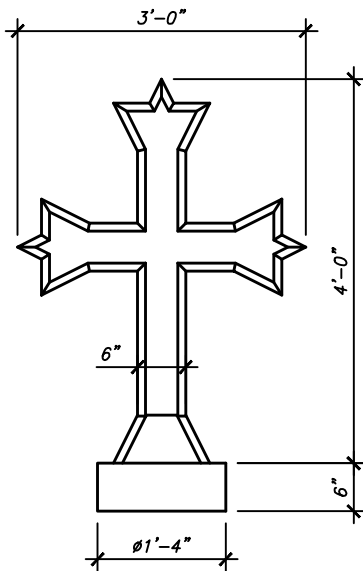
RO-136

HEIGHT: 6'-0"  
WIDTH: 4'-6"  
DEPTH: 8"



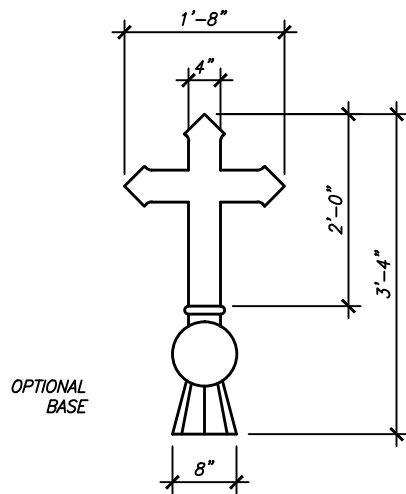
RO-137

HEIGHT: 4'-0"  
WIDTH: 3'-0"  
DEPTH: 6"



RO-138

HEIGHT: 3'-4"  
WIDTH: 1'-8"  
DEPTH: 4"



ORNAMENTS

SHEET NO.

C1-09

2020

CROSSES,  
ONE-BAR

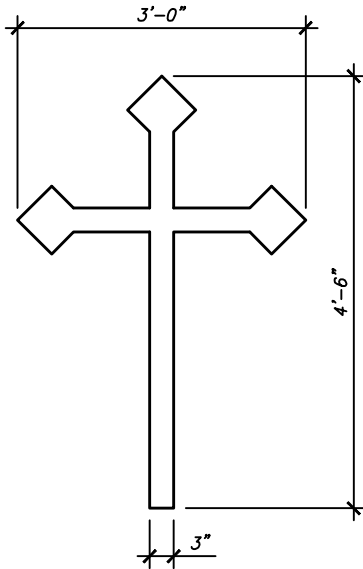


ARCHITECTURAL FIBERGLASS, INC.

8300 BESSEMER AVE., CLEVELAND, OHIO 44127-1839  
(216) 641-8300 - FAX:(216) 641-8150  
www.fiberglass-afi.com

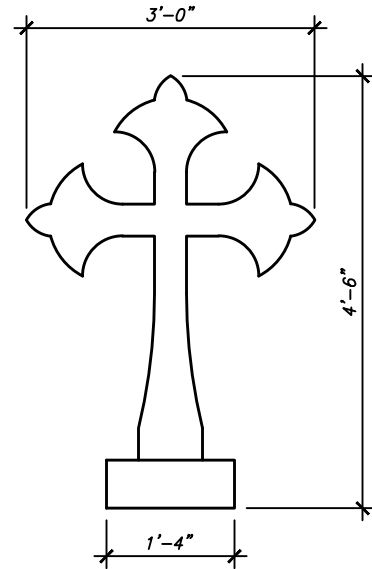
RO-139

HEIGHT: 4'-6"  
WIDTH: 3'-0"  
DEPTH: 3"



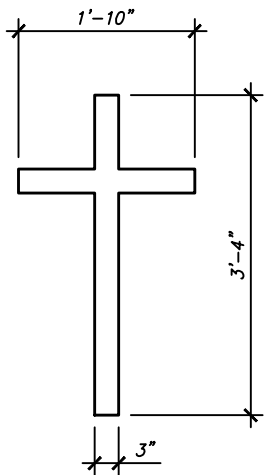
RO-140

HEIGHT: 4'-6"  
WIDTH: 3'-0"  
DEPTH: 4"



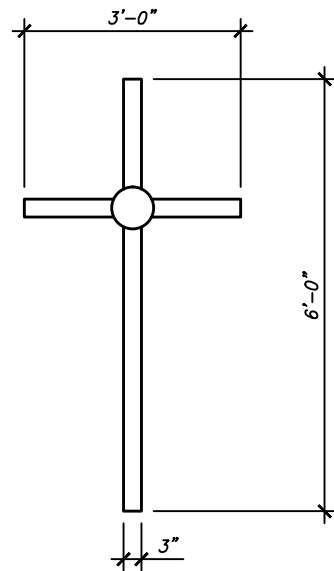
RO-142

HEIGHT: 3'-4"  
WIDTH: 1'-10"  
DEPTH: 3"



RO-143

HEIGHT: 6'-0"  
WIDTH: 3'-0"  
DEPTH: 3"



ORNAMENTS

SHEET NO.

C1-10

2020

CROSSES,  
ONE-BAR

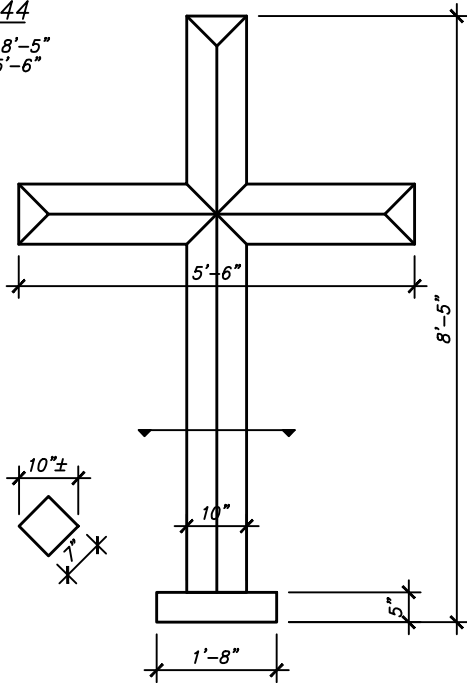


**ARCHITECTURAL FIBERGLASS, INC.**

8300 BESSEMER AVE., CLEVELAND, OHIO 44127-1839  
(216) 641-8300 - FAX:(216) 641-8150  
www.fiberglass-afi.com

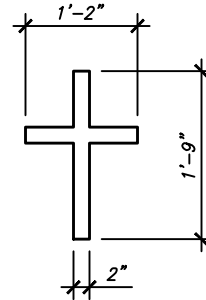
RO-144

HEIGHT: 8'-5"  
WIDTH: 5'-6"  
DEPTH:



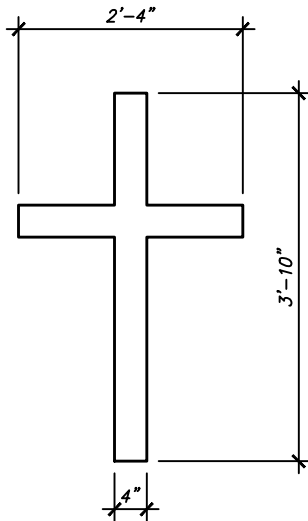
RO-145

HEIGHT: 1'-9"  
WIDTH: 1'-2"  
DEPTH: 1 1/2"



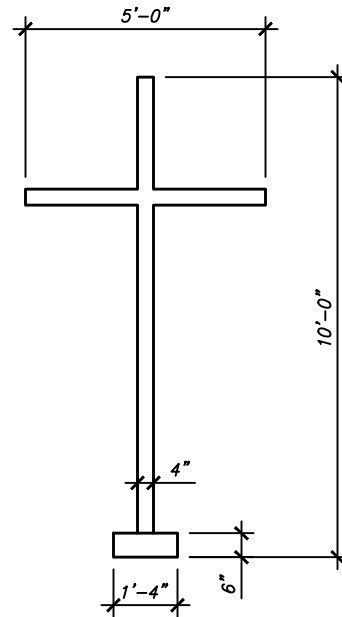
RO-146

HEIGHT: 3'-10"  
WIDTH: 2'-4"  
DEPTH: 3"



RO-148

HEIGHT: 10'-0"  
WIDTH: 5'-0"  
DEPTH: 4"



ORNAMENTS

SHEET NO.

C1-11

2020

CROSSES,  
ONE-BAR

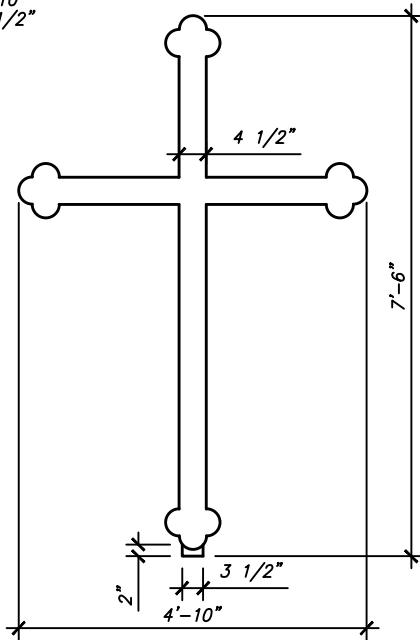


ARCHITECTURAL FIBERGLASS, INC.

8300 BESSEMER AVE., CLEVELAND, OHIO 44127-1839  
(216) 641-8300 - FAX:(216) 641-8150  
www.fiberglass-afi.com

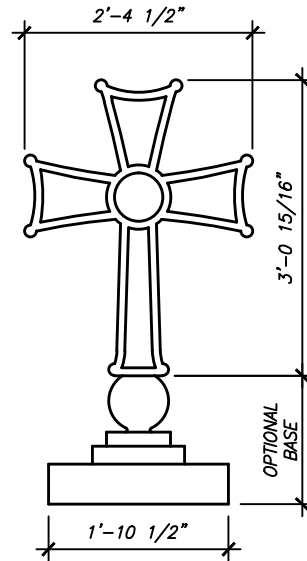
RO-149

HEIGHT: 7'-6"  
WIDTH: 4'-10"  
DEPTH: 4 1/2"



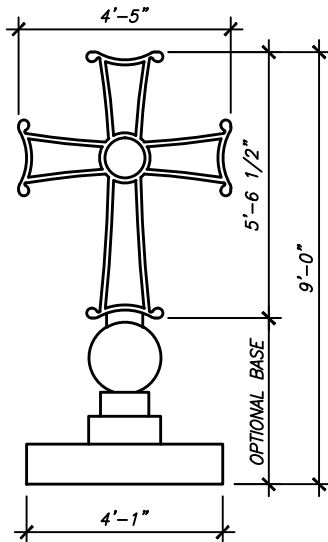
RO-150

HEIGHT: 3'-0 15/16"  
WIDTH: 2'-4 3/4"  
DEPTH: 5"



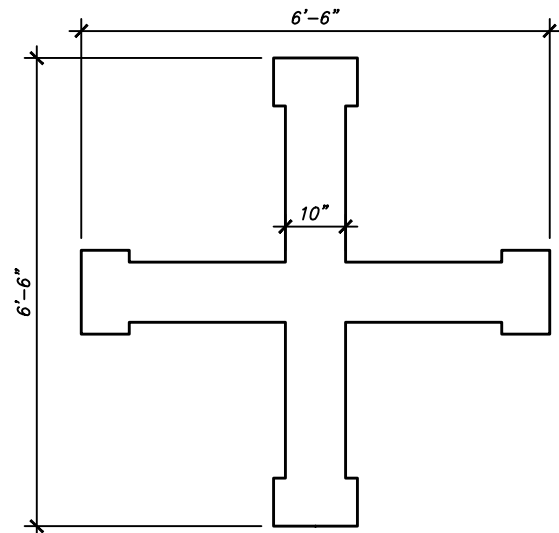
RO-151

HEIGHT: 9'-0"  
WIDTH: 4'-5"  
DEPTH: 4 3/4"



RO-152

HEIGHT: 6'-6"  
WIDTH: 6'-6"  
DEPTH: 5"



ORNAMENTS

SHEET NO.

C1-12

2020

CROSSES,  
ONE-BAR

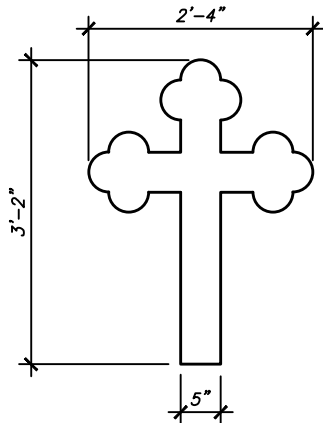


ARCHITECTURAL FIBERGLASS, INC.

8300 BESSEMER AVE., CLEVELAND, OHIO 44127-1839  
(216) 641-8300 - FAX:(216) 641-8150  
www.fiberglass-afi.com

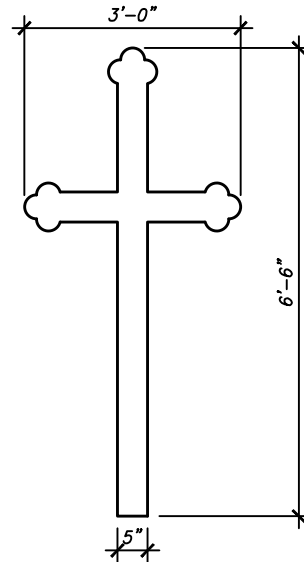
RO-153

HEIGHT: 3'-2"  
WIDTH: 2'-4"  
DEPTH: 5"



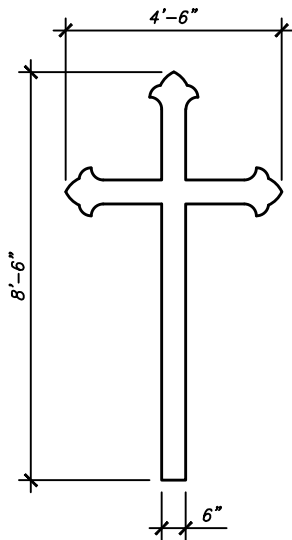
RO-154

HEIGHT: 6'-6"  
WIDTH: 3'-0"  
DEPTH: 3"



RO-155

HEIGHT: 8'-6"  
WIDTH: 4'-6"  
DEPTH: 6"



INTENTIONALLY LEFT BLANK

ORNAMENTS

SHEET NO.

C1-13

2020

CROSSES,  
ONE-BAR

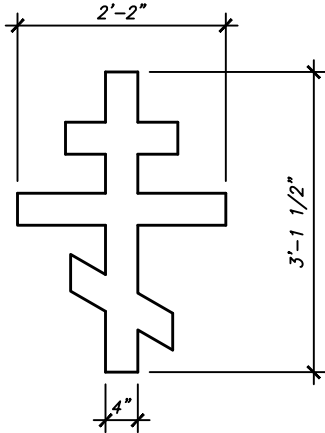


**ARCHITECTURAL FIBERGLASS, INC.**

8300 BESSEMER AVE., CLEVELAND, OHIO 44127-1839  
(216) 641-8300 - FAX:(216) 641-8150  
www.fiberglass-afi.com

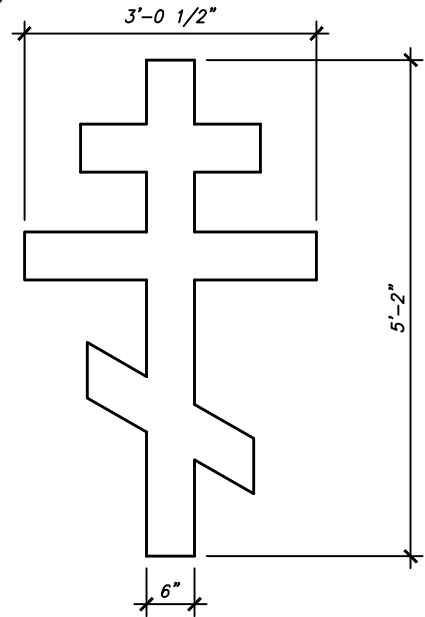
RO-201

HEIGHT: 3'-1 1/2"  
WIDTH: 2'-2"  
DEPTH: 4"



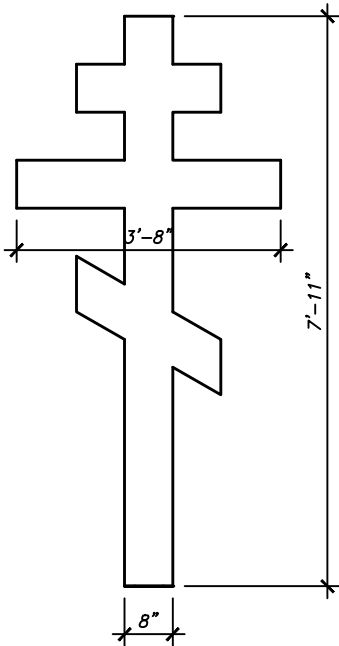
RO-202

HEIGHT: 5'-2"  
WIDTH: 3'-0 1/2"  
DEPTH: 6"



RO-224

HEIGHT: 7'-11"  
WIDTH: 3'-8"  
DEPTH: 8"



INTENTIONALLY LEFT BLANK

ORNAMENTS

SHEET NO.

C3-01

2020

CROSSES,  
THREE-BAR

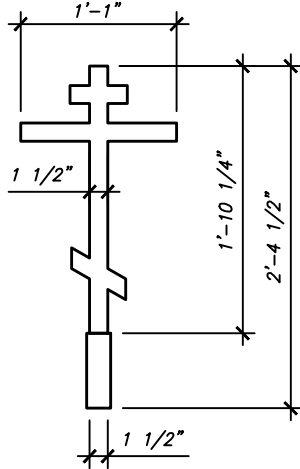


**ARCHITECTURAL FIBERGLASS, INC.**

8300 BESSEMER AVE., CLEVELAND, OHIO 44127-1839  
(216) 641-8300 - FAX:(216) 641-8150  
[www.fiberglass-afi.com](http://www.fiberglass-afi.com)

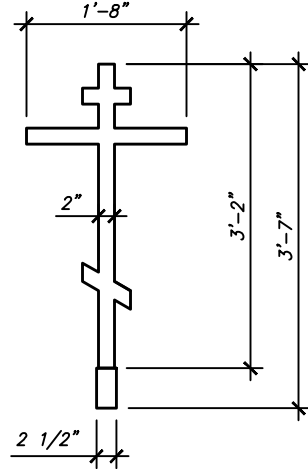
RO-227

HEIGHT: 2'-4 1/2"  
WIDTH: 1'-1"  
DEPTH: 1 1/2"



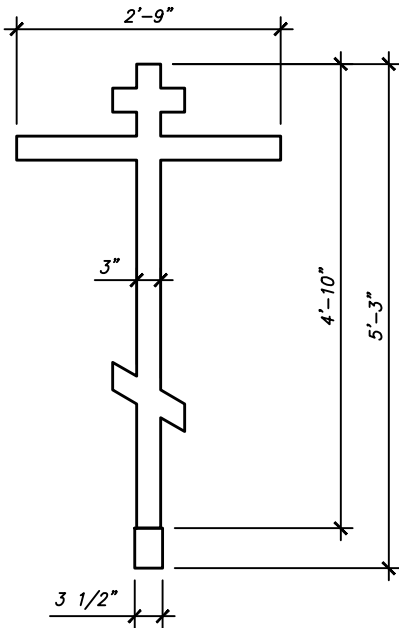
RO-207

HEIGHT: 3'-0"  
WIDTH: 1'-8"  
DEPTH: 2"



RO-208

HEIGHT: 5'-3"  
WIDTH: 2'-9"  
DEPTH: 3"



INTENTIONALLY LEFT BLANK

ORNAMENTS

SHEET NO.

C3-02

2020

CROSSES,  
THREE-BAR



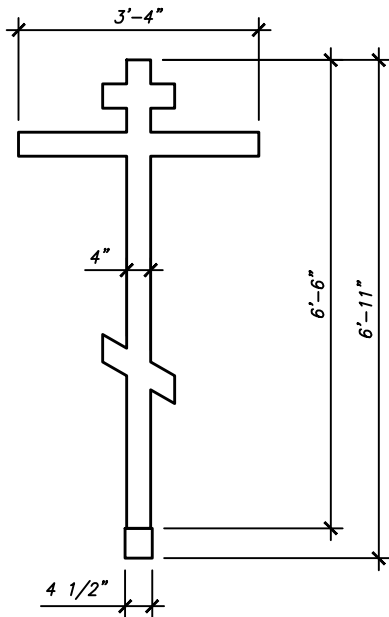
ARCHITECTURAL FIBERGLASS, INC.

8300 BESSEMER AVE., CLEVELAND, OHIO 44127-1839  
(216) 641-8300 - FAX:(216) 641-8150  
www.fiberglass-afi.com



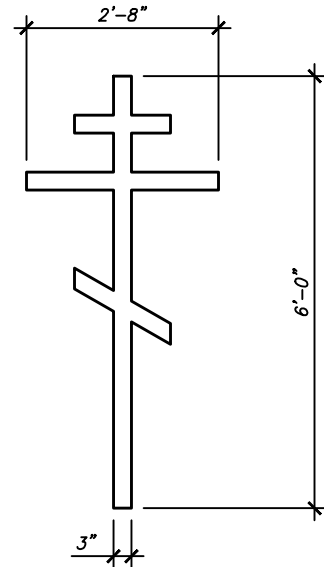
RO-211

HEIGHT: 6'-11"  
WIDTH: 3'-4"  
DEPTH: 4"



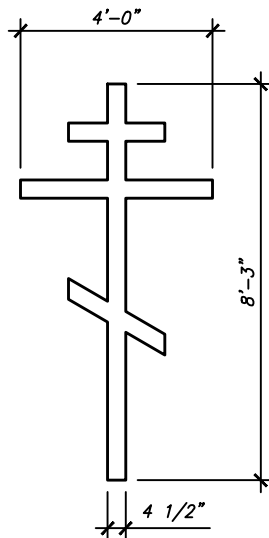
RO-225

HEIGHT: 6'-0"  
WIDTH: 2'-8"  
DEPTH: 3"



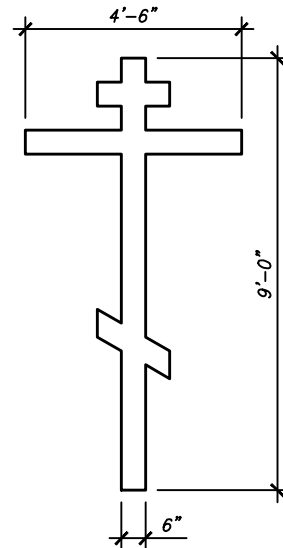
RO-226

HEIGHT: 8'-3"  
WIDTH: 4'-0"  
DEPTH: 4 1/2"



RO-215

HEIGHT: 9'-0"  
WIDTH: 4'-6"  
DEPTH: 6"



ORNAMENTS

SHEET NO.

C3-03

2020

CROSSES,  
THREE-BAR

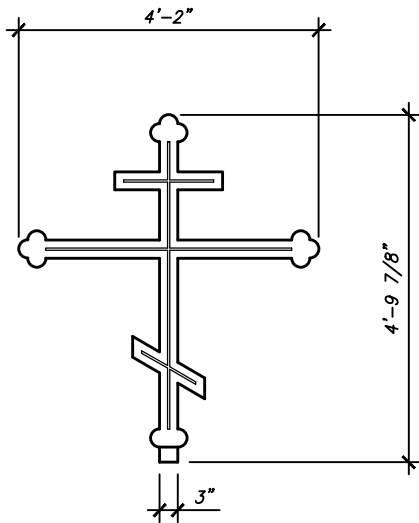


ARCHITECTURAL FIBERGLASS, INC.

8300 BESSEMER AVE., CLEVELAND, OHIO 44127-1839  
(216) 641-8300 - FAX:(216) 641-8150  
www.fiberglass-afi.com

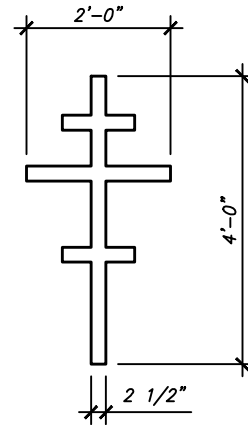
RO-220

HEIGHT: 4'-9 7/8"  
WIDTH: 4'-2"  
DEPTH: 3"



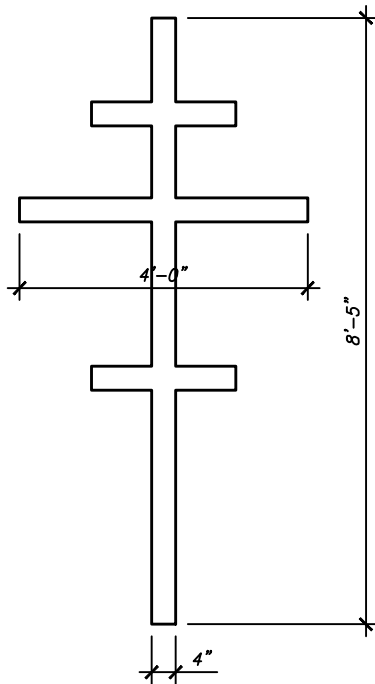
RO-229

HEIGHT: 4'-0"  
WIDTH: 2'-0"  
DEPTH: 2 1/2"



RO-221

HEIGHT: 8'-5"  
WIDTH: 4'-0"  
DEPTH: 4"



INTENTIONALLY LEFT BLANK

ORNAMENTS

SHEET NO.

C3-04

2020

CROSSES,  
THREE-BAR

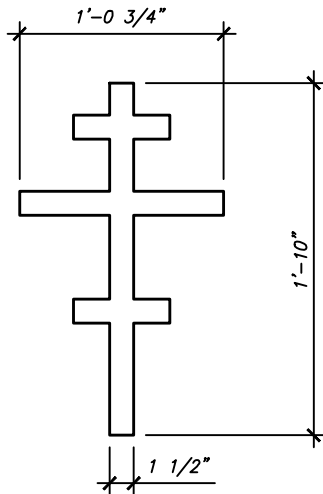


**ARCHITECTURAL FIBERGLASS, INC.**

8300 BESSEMER AVE., CLEVELAND, OHIO 44127-1839  
(216) 641-8300 - FAX:(216) 641-8150  
www.fiberglass-afi.com

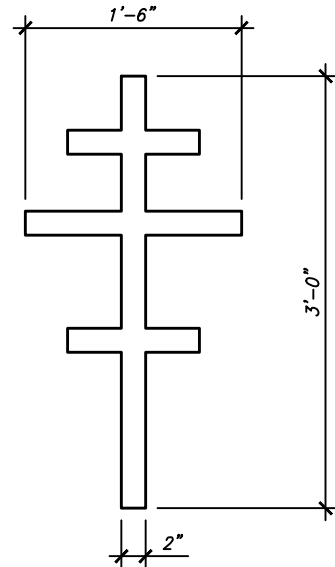
RO-216

HEIGHT: 1'-10"  
WIDTH: 1'-0 3/4"  
DEPTH: 1 1/2"



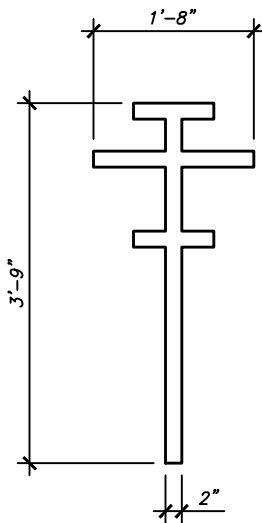
RO-217

HEIGHT: 3'-0"  
WIDTH: 1'-6"  
DEPTH: 2"



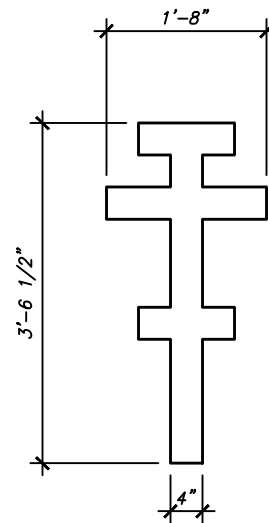
RO-218

HEIGHT: 3'-9"  
WIDTH: 1'-8"  
DEPTH: 2"



RO-219

HEIGHT: 3'-6 1/2"  
WIDTH: 1'-8"  
DEPTH: 4"



ORNAMENTS

SHEET NO.

C3-05

2020

CROSSES,  
THREE-BAR

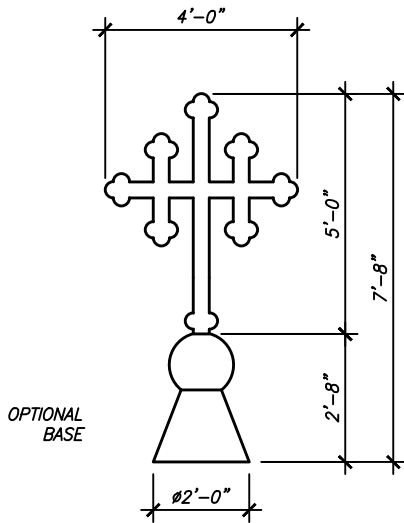


ARCHITECTURAL FIBERGLASS, INC.

8300 BESSEMER AVE., CLEVELAND, OHIO 44127-1839  
(216) 641-8300 - FAX:(216) 641-8150  
www.fiberglass-afi.com

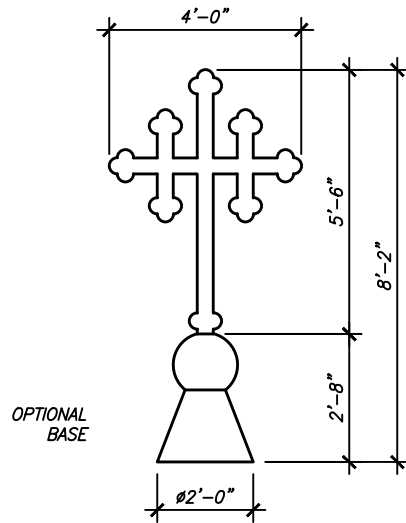
RO-222

HEIGHT: 7'-8"  
WIDTH: 4'-0"  
DEPTH: 4"



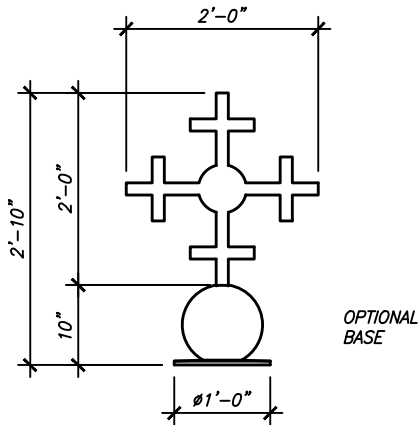
RO-223

HEIGHT: 8'-2"  
WIDTH: 4'-0"  
DEPTH: 4"



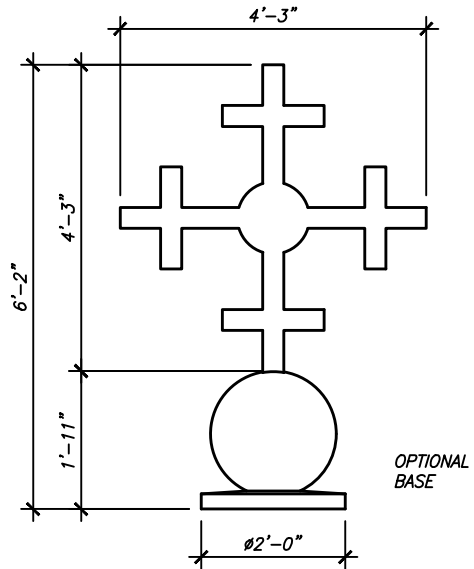
RO-230

HEIGHT: 2'-10"  
WIDTH: 2'-0"  
DEPTH: 1 3/4"



RO-231

HEIGHT: 6'-2"  
WIDTH: 4'-3"  
DEPTH: 3 3/4"



ORNAMENTS

SHEET NO.

C3-06

2020

CROSSES,  
THREE-BAR

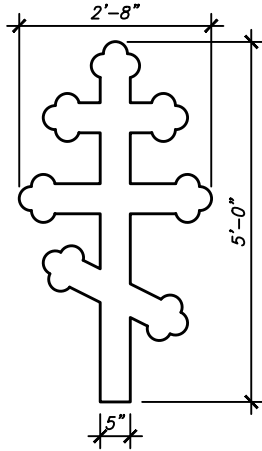


**ARCHITECTURAL FIBERGLASS, INC.**

8300 BESSEMER AVE., CLEVELAND, OHIO 44127-1839  
(216) 641-8300 - FAX:(216) 641-8150  
www.fiberglass-afi.com

*RO-232*

*HEIGHT: 5'-0"*  
*WIDTH: 2'-8"*  
*DEPTH: 3"*



*INTENTIONALLY LEFT BLANK*

*INTENTIONALLY LEFT BLANK*

*INTENTIONALLY LEFT BLANK*

ORNAMENTS

SHEET NO.

**C3-07**

2020

CROSSES,  
THREE-BAR

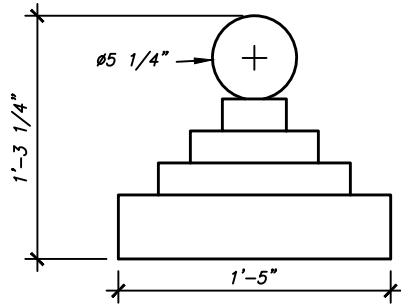


***ARCHITECTURAL FIBERGLASS, INC.***

8300 BESSEMER AVE., CLEVELAND, OHIO 44127-1839  
(216) 641-8300 - FAX:(216) 641-8150  
[www.fiberglass-afi.com](http://www.fiberglass-afi.com)

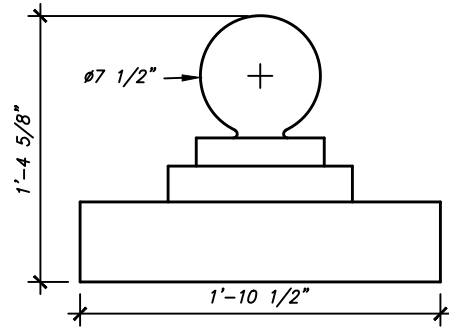
KB-01

HEIGHT:  
WIDTH:



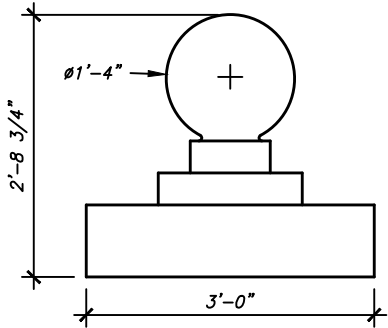
KB-02

HEIGHT:  
WIDTH:



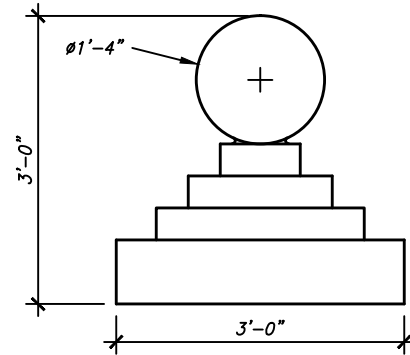
KB-03

HEIGHT:  $2'-8 \frac{3}{4}''$   
WIDTH:  $3'-0''$



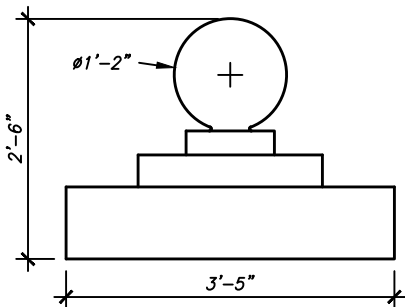
KB-04

HEIGHT:  
WIDTH:



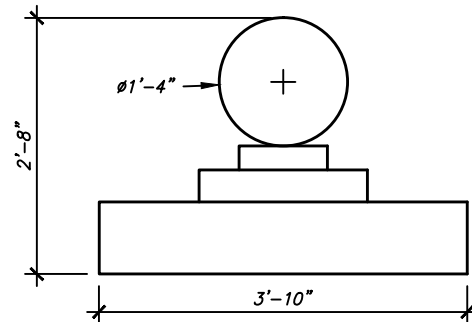
KB-05

HEIGHT:  
WIDTH:



KB-06

HEIGHT:  
WIDTH:



ORNAMENTS

SHEET NO.

**CB-01**

2020

CROSS  
BASES

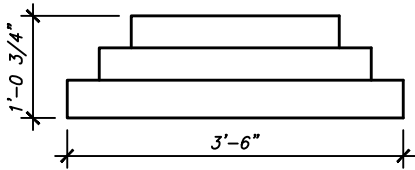


**ARCHITECTURAL FIBERGLASS, INC.**

8300 BESSEMER AVE., CLEVELAND, OHIO 44127-1839  
(216) 641-8300 - FAX:(216) 641-8150  
www.fiberglass-afi.com

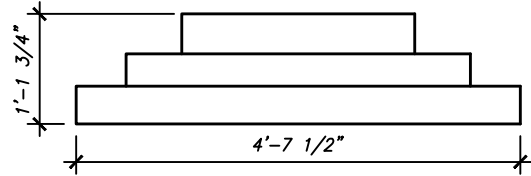
KB-07

HEIGHT:  
WIDTH:



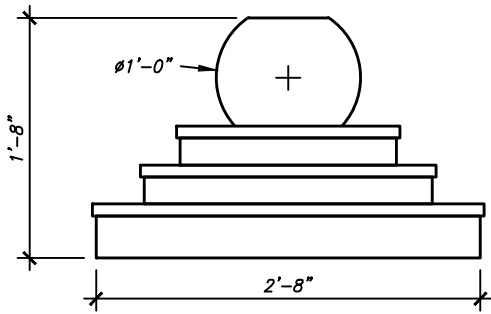
KB-08

HEIGHT:  
WIDTH:



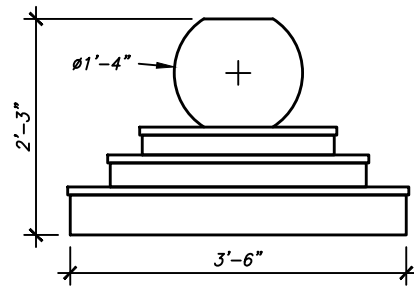
KB-09

HEIGHT: 3'-0"  
WIDTH:



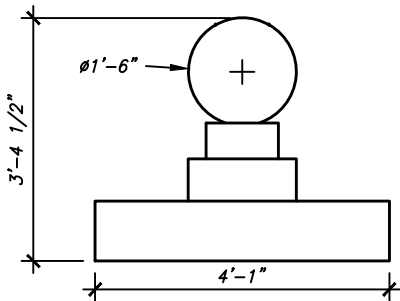
KB-10

HEIGHT:  
WIDTH:



KB-11

HEIGHT:  
WIDTH:



INTENTIONALLY LEFT BLANK

ORNAMENTS

SHEET NO.

**CB-02**

2020

CROSS  
BASES



**ARCHITECTURAL FIBERGLASS, INC.**

8300 BESSEMER AVE., CLEVELAND, OHIO 44127-1839  
(216) 641-8300 - FAX:(216) 641-8150  
www.fiberglass-afi.com