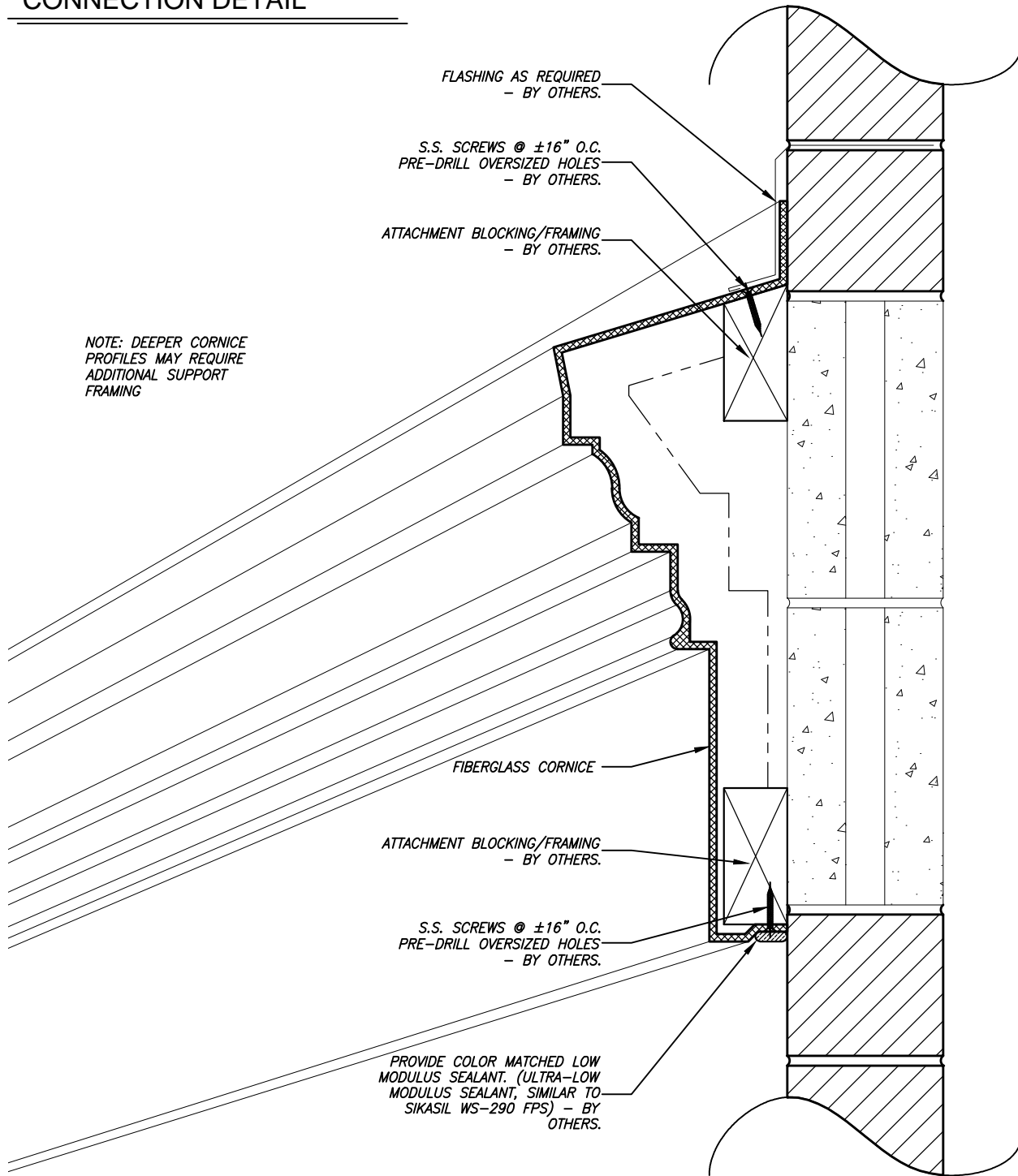


**WOOD BLOCKING  
CONNECTION DETAIL**



NOTE: DEEPER CORNICE  
PROFILES MAY REQUIRE  
ADDITIONAL SUPPORT  
FRAMING

CORNICE  
SHEET NO.  
**SD-1**  
2020

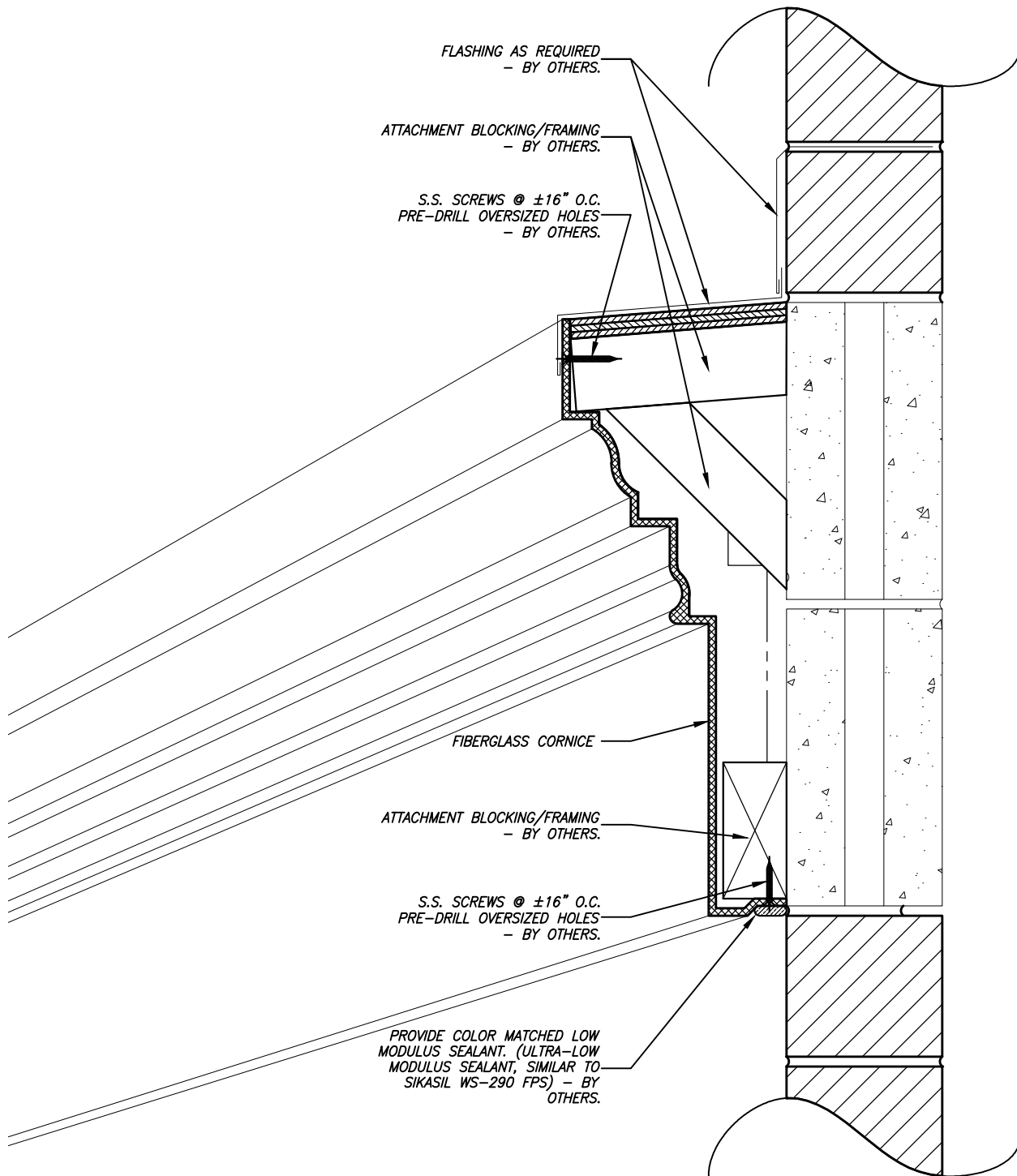
CONNECTIONS



**ARCHITECTURAL FIBERGLASS, INC.**

8300 BESSEMER AVE., CLEVELAND, OHIO 44127-1839  
(216) 641-8300 - FAX:(216) 641-8150  
www.fiberglass-afi.com

**SUPPORT FRAMING  
CONNECTION DETAIL**



CORNICE  
SHEET NO.  
**SD-2**  
2020

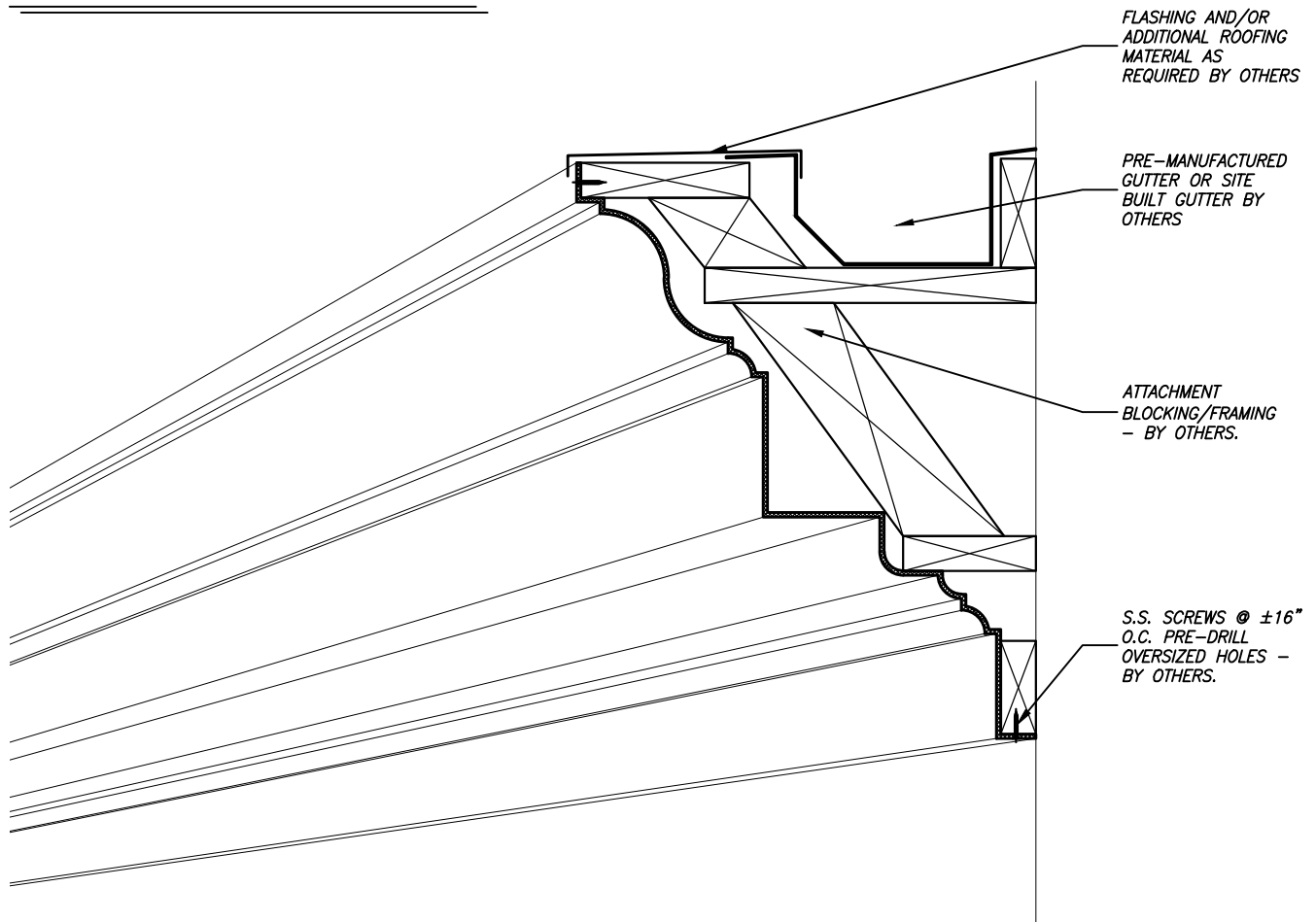
CONNECTIONS



**ARCHITECTURAL FIBERGLASS, INC.**

8300 BESSEMER AVE., CLEVELAND, OHIO 44127-1839  
(216) 641-8300 - FAX:(216) 641-8150  
www.fiberglass-afi.com

TYPICAL CORNICE  
WITH GUTTER INSTALLATION



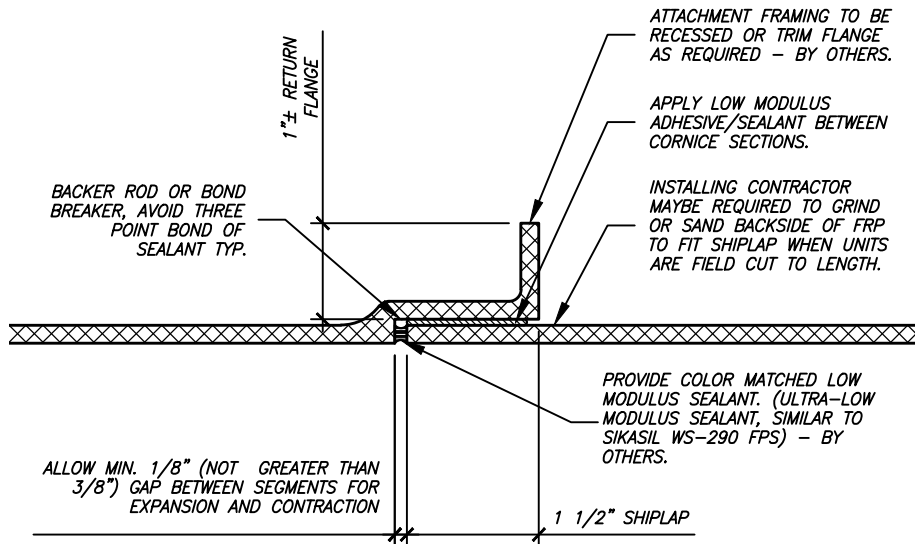
CORNICE  
SHEET NO.  
**SD-3**  
2020

INSTALLATION  
WITH GUTTERS

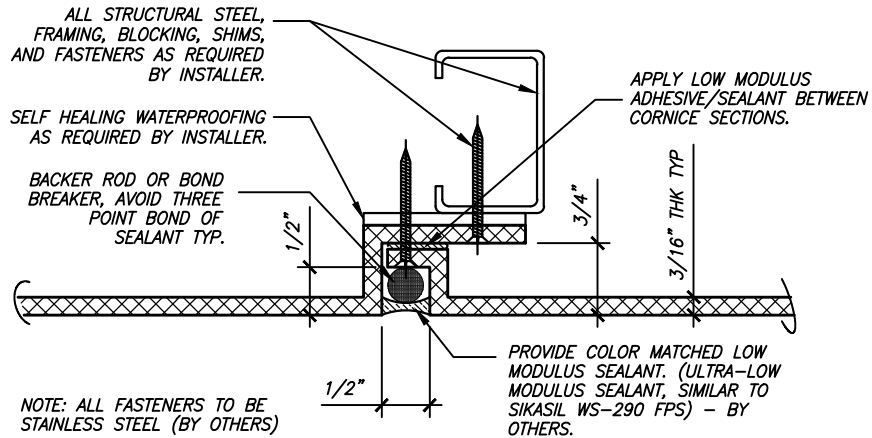


*ARCHITECTURAL FIBERGLASS, INC.*

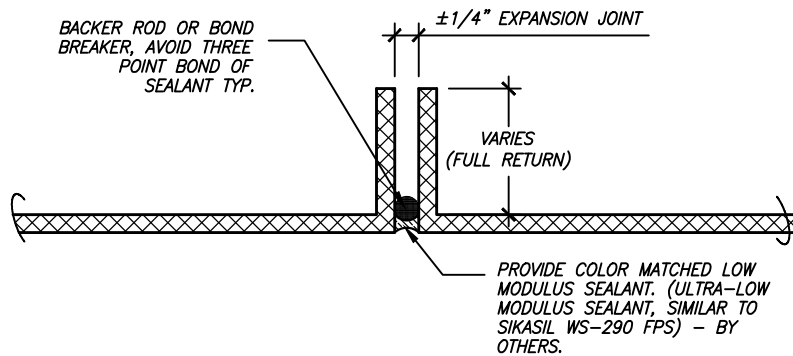
8300 BESSEMER AVE., CLEVELAND, OHIO 44127-1839  
(216) 641-8300 - FAX:(216) 641-8150  
[www.fiberglass-afi.com](http://www.fiberglass-afi.com)



**TYPICAL SHIPLAP DETAIL**



**TYPICAL REVEAL DETAIL (SPECIAL ORDER)**



**TYPICAL BUTT JOINT DETAIL**

CORNICE  
SHEET NO.  
**SD-4**  
2020

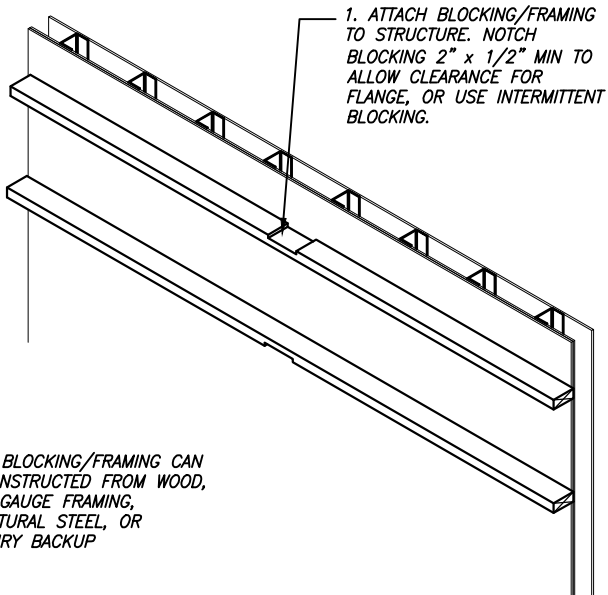
TYPICAL  
JOINT DETAILS



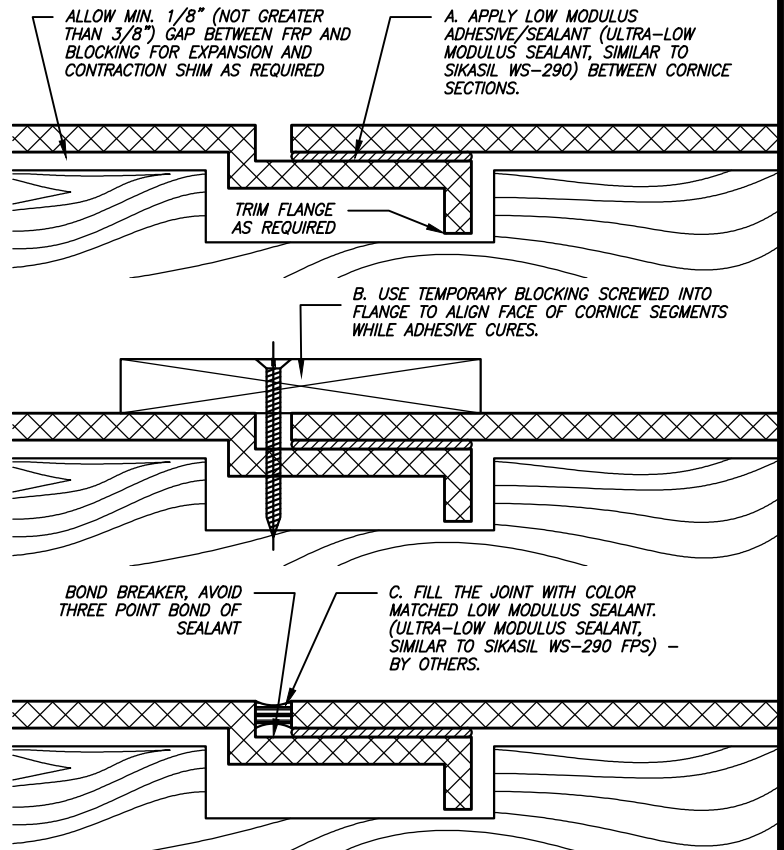
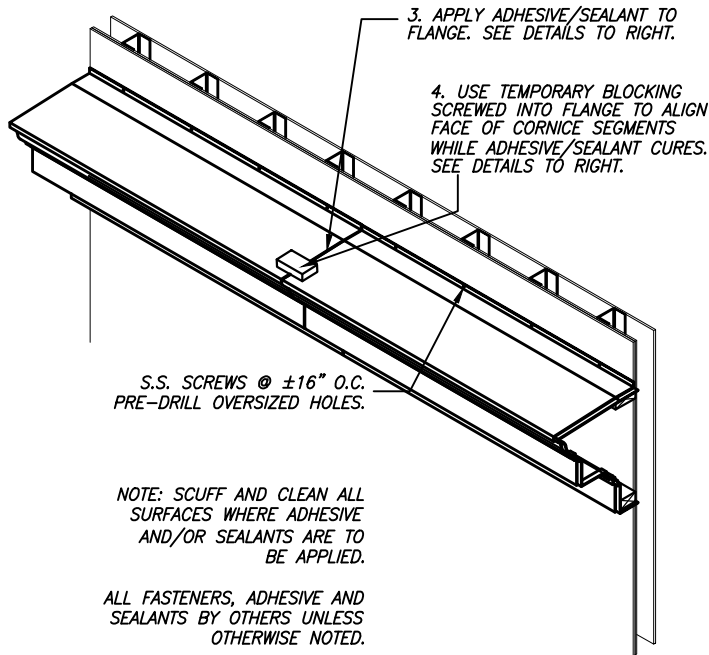
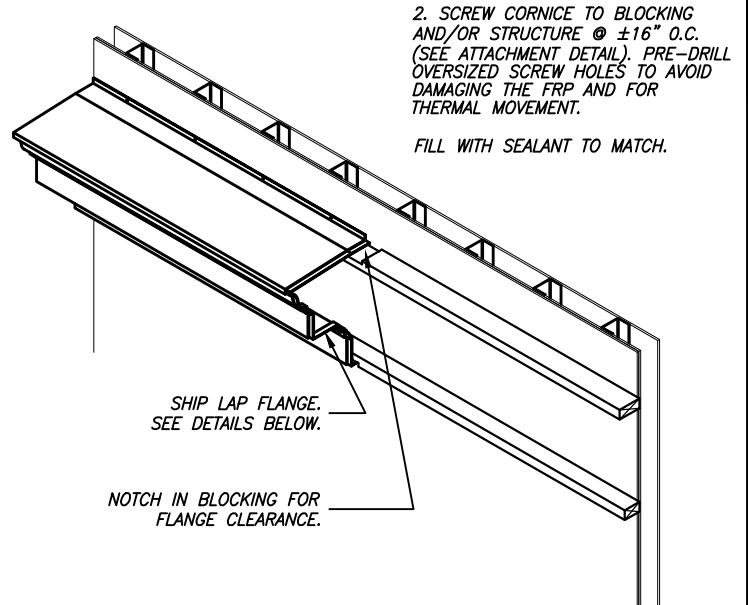
**ARCHITECTURAL FIBERGLASS, INC.**

8300 BESSEMER AVE., CLEVELAND, OHIO 44127-1839  
(216) 641-8300 - FAX:(216) 641-8150  
www.fiberglass-afi.com

# TYPICAL INSTALLATION FOR CORNICE WITH SHIP LAP JOINTS



NOTE: BLOCKING/FRAMING CAN BE CONSTRUCTED FROM WOOD, LIGHT GAUGE FRAMING, STRUCTURAL STEEL, OR MASONRY BACKUP



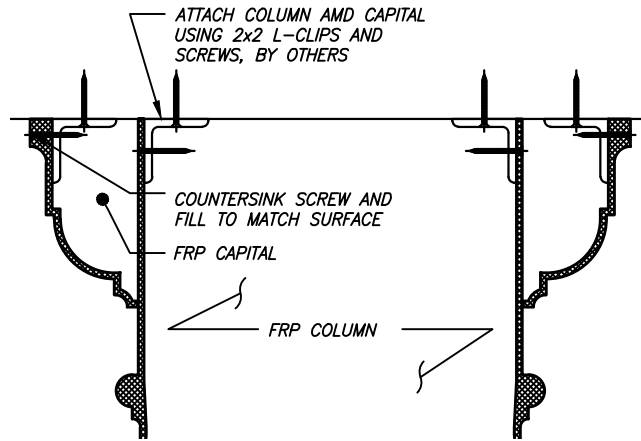
CORNICE  
SHEET NO.  
**SD-5**  
2020

TYPICAL  
INSTALLATION  
INSTRUCTIONS

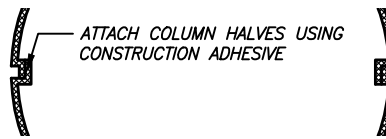


## ARCHITECTURAL FIBERGLASS, INC.

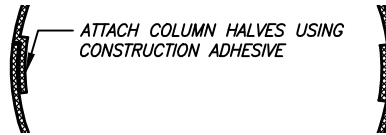
8300 BESSEMER AVE., CLEVELAND, OHIO 44127-1839  
(216) 641-8300 - FAX:(216) 641-8150  
www.fiberglass-afi.com



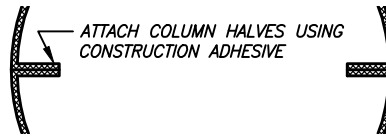
ATTACHMENT AT CAPITAL



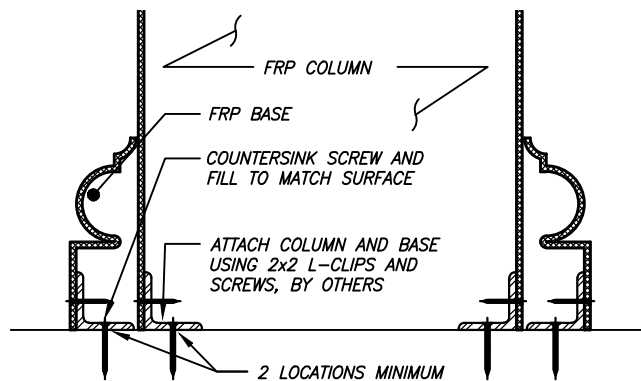
REVEAL JOINT (SPECIAL ORDER)



SHIP LAP JOINT (SPECIAL ORDER)



BUTT JOINT (STANDARD)



ATTACHMENT AT BASE

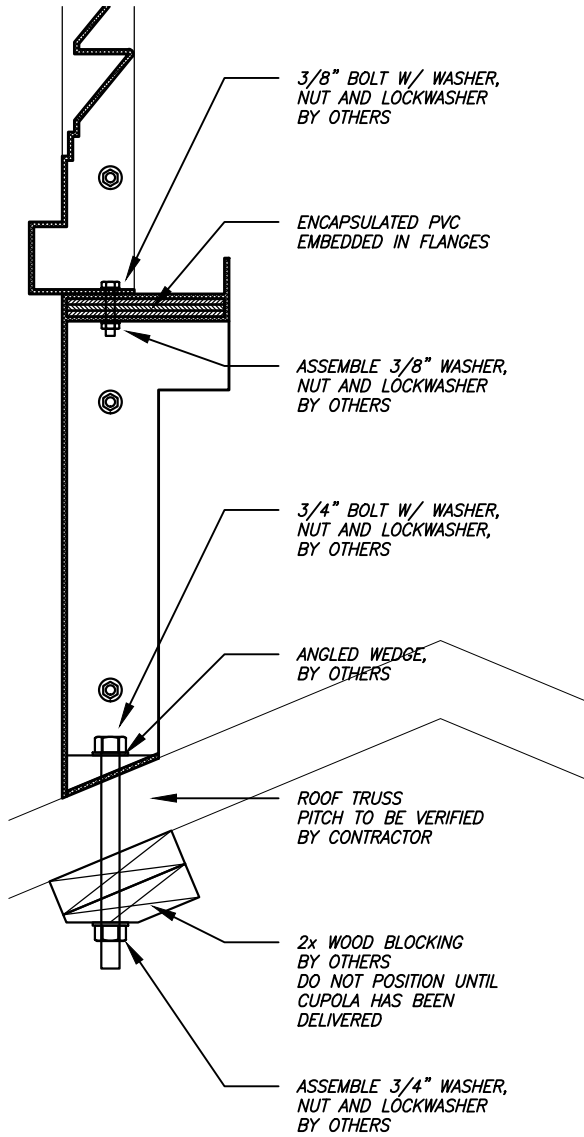
COLUMNS  
SHEET NO.  
**SD-01**  
2020

ATTACHMENT  
DETAILS

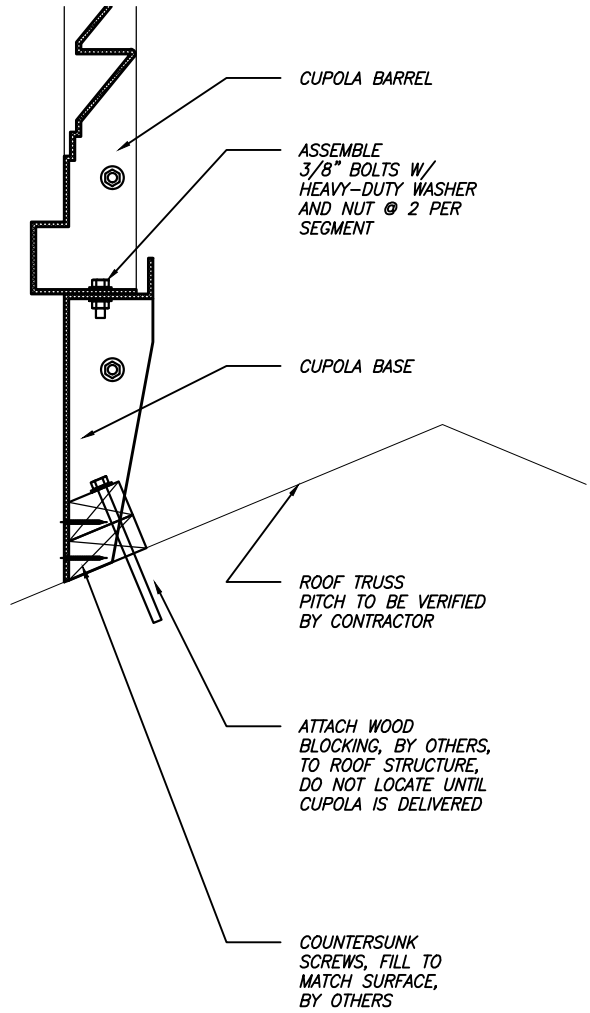


**ARCHITECTURAL FIBERGLASS, INC.**

8300 BESSEMER AVE., CLEVELAND, OHIO 44127-1839  
(216) 641-8300 - FAX:(216) 641-8150  
www.fiberglass-afi.com



**1 ATTACHMENT TYPE 1**  
 SD-1 SCALE: 1-1/2" = 1'-0"



**2 ATTACHMENT TYPE 2**  
 SD-1 SCALE: 1-1/2" = 1'-0"

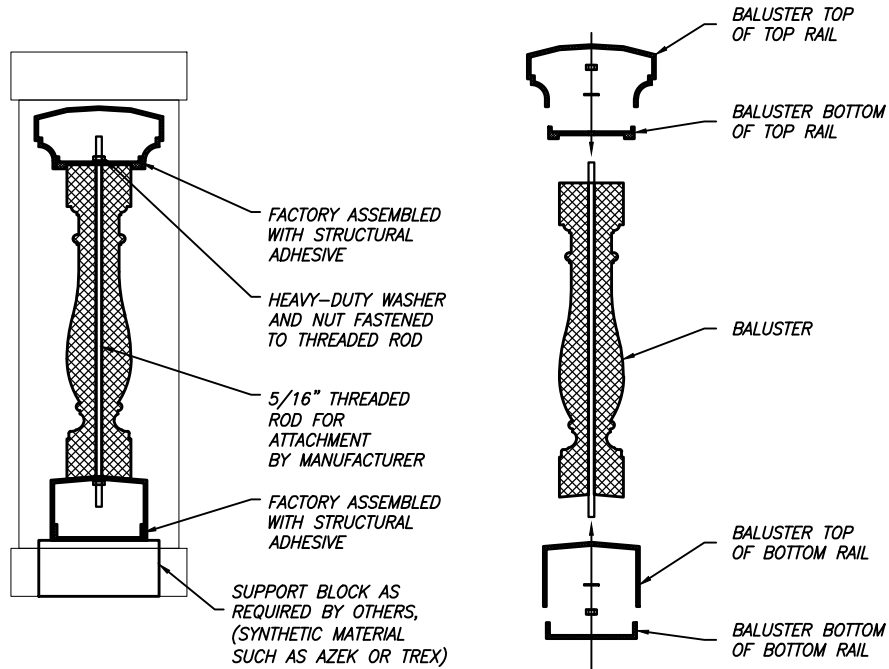
CUPOLAS  
 SHEET NO.  
**SD-01**  
 2020

ATTACHMENT  
 DETAILS

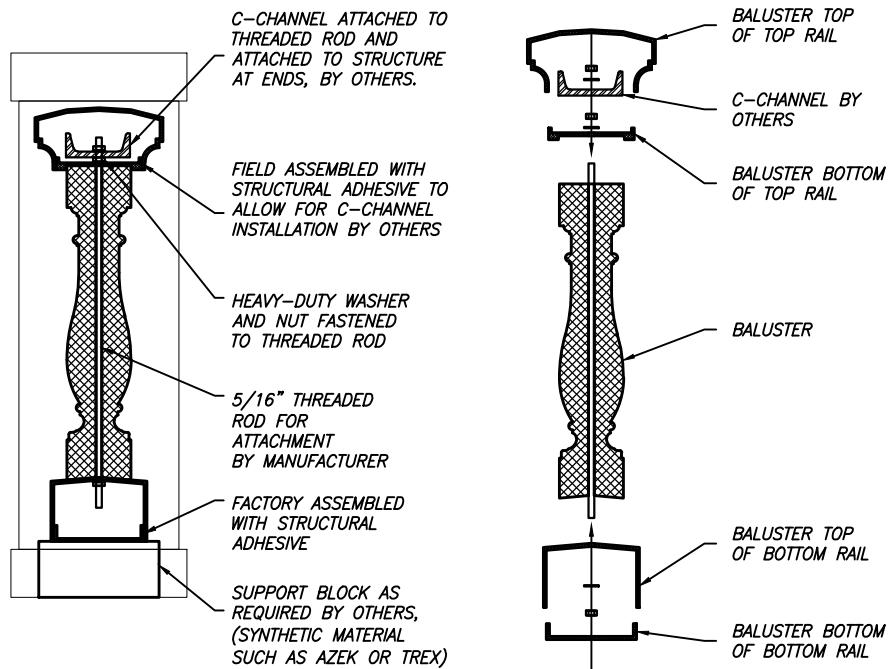


**ARCHITECTURAL FIBERGLASS, INC.**

8300 BESSEMER AVE., CLEVELAND, OHIO 44127-1839  
 (216) 641-8300 - FAX:(216) 641-8150  
 www.fiberglass-afi.com



BALUSTRADE INSTALLATION - OPTION 1



NOTE: C-CHANNEL COULD ALSO BE ADDED TO BOTTOM RAIL. C-CHANNEL MAY BE REQUIRED FOR RAIL LENGTHS LONGER THEN 12'

BALUSTRADE INSTALLATION - OPTION 2 (WITH C-CHANNEL)

BALUSTRADES

SHEET NO.

SD-01

2020

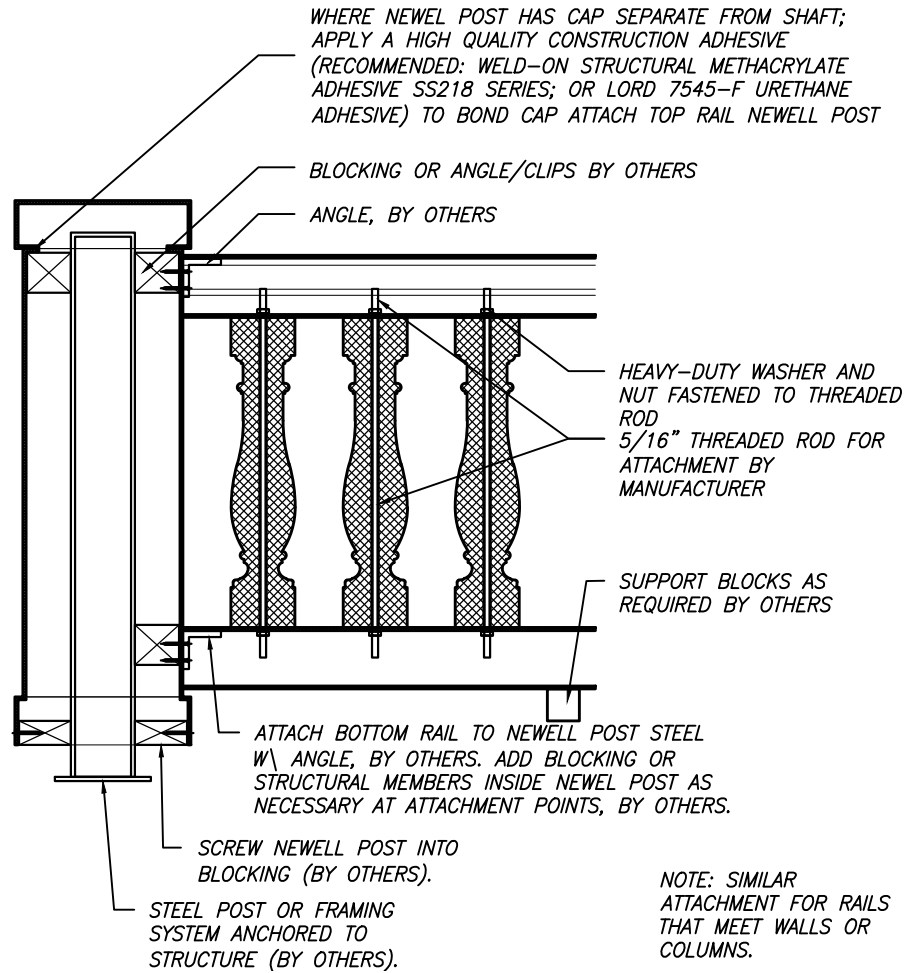
INSTALLATION



**ARCHITECTURAL FIBERGLASS, INC.**

8300 BESSEMER AVE., CLEVELAND, OHIO 44127-1839  
 (216) 641-8300 - FAX:(216) 641-8150  
 www.fiberglass-afi.com





RAIL INSTALLATION - OPTION 1

BALUSTRADES

SHEET NO.

SD-02

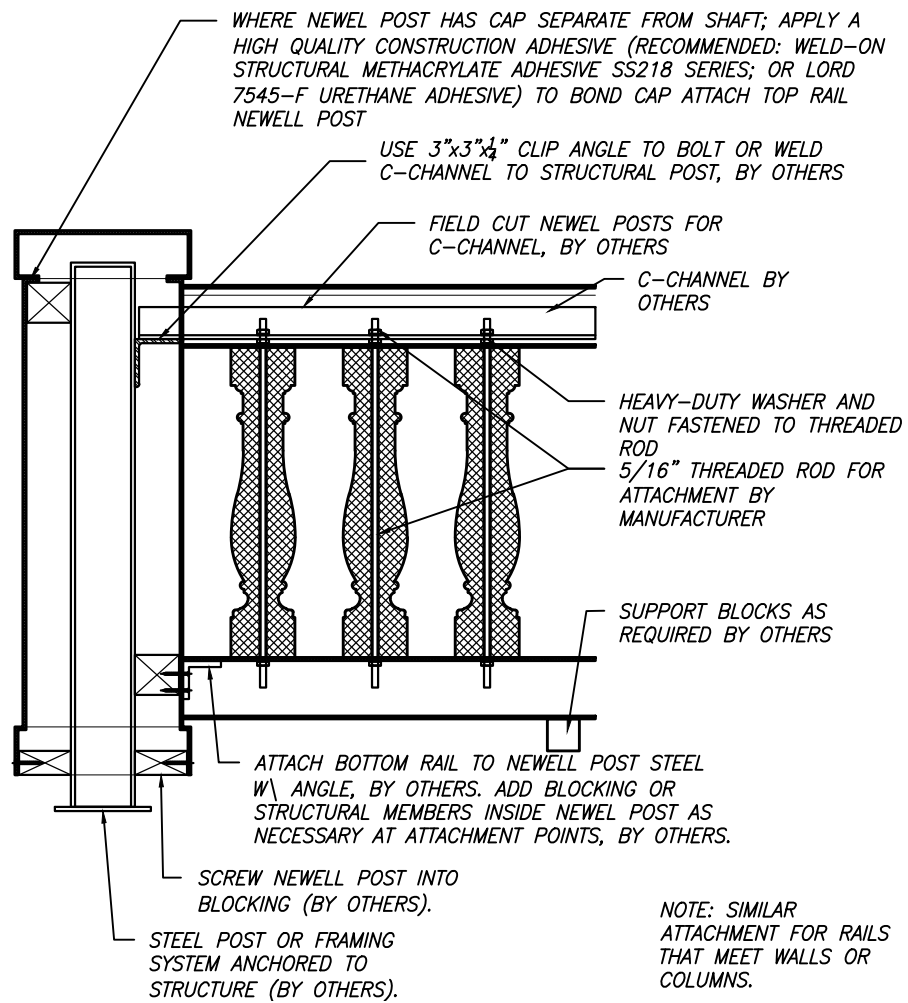
2020

INSTALLATION



**ARCHITECTURAL FIBERGLASS, INC.**

8300 BESSEMER AVE., CLEVELAND, OHIO 44127-1839  
 (216) 641-8300 - FAX:(216) 641-8150  
 www.fiberglass-afi.com



RAIL INSTALLATION - OPTION 2 (WITH C-CHANNEL)

BALUSTRADES

SHEET NO.

SD-03

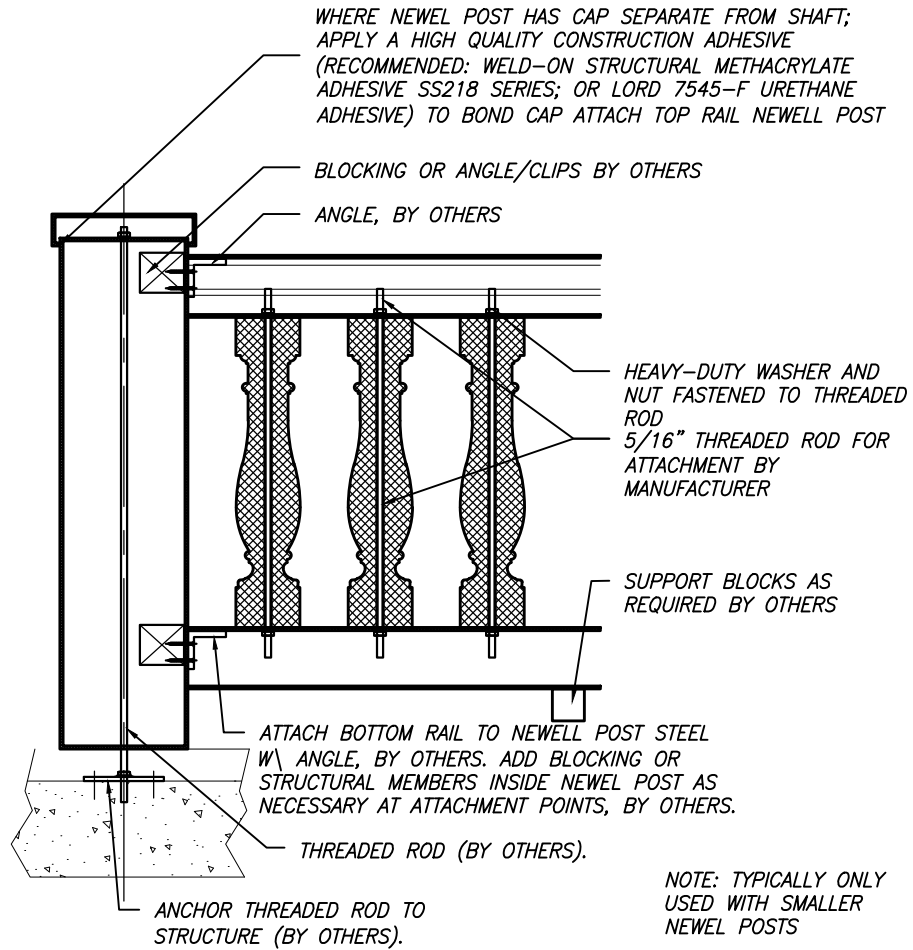
2020

INSTALLATION



**ARCHITECTURAL FIBERGLASS, INC.**

8300 BESSEMER AVE., CLEVELAND, OHIO 44127-1839  
 (216) 641-8300 - FAX:(216) 641-8150  
 www.fiberglass-afi.com



ALTERNATE NEWEL POST CONNECTION (DECORATIVE / NON-STRUCTURAL)

BALUSTRADES

SHEET NO.

SD-04

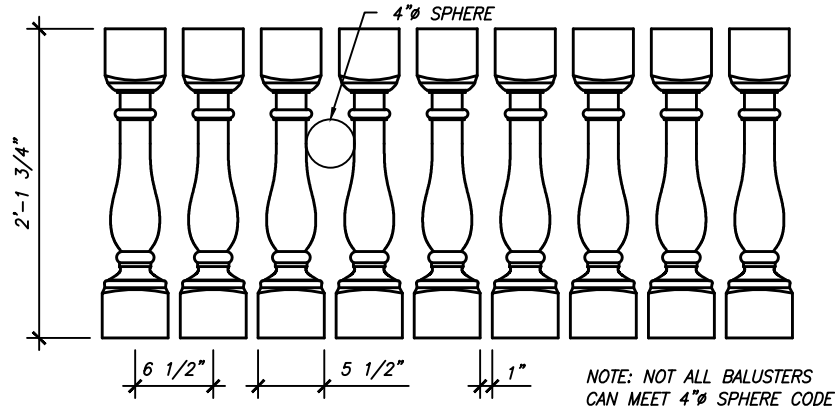
2020

INSTALLATION

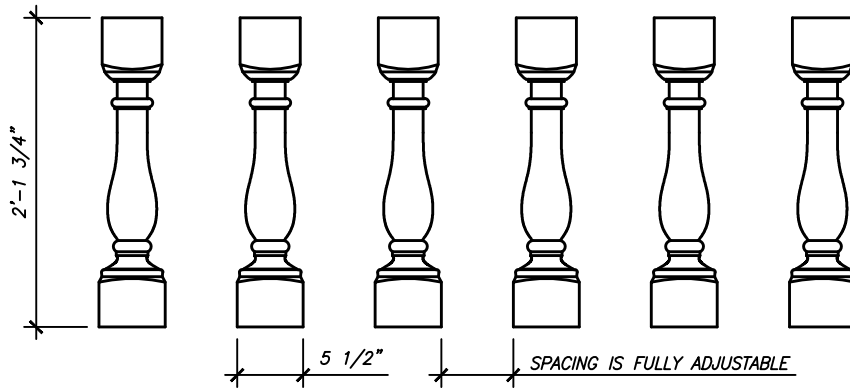


**ARCHITECTURAL FIBERGLASS, INC.**

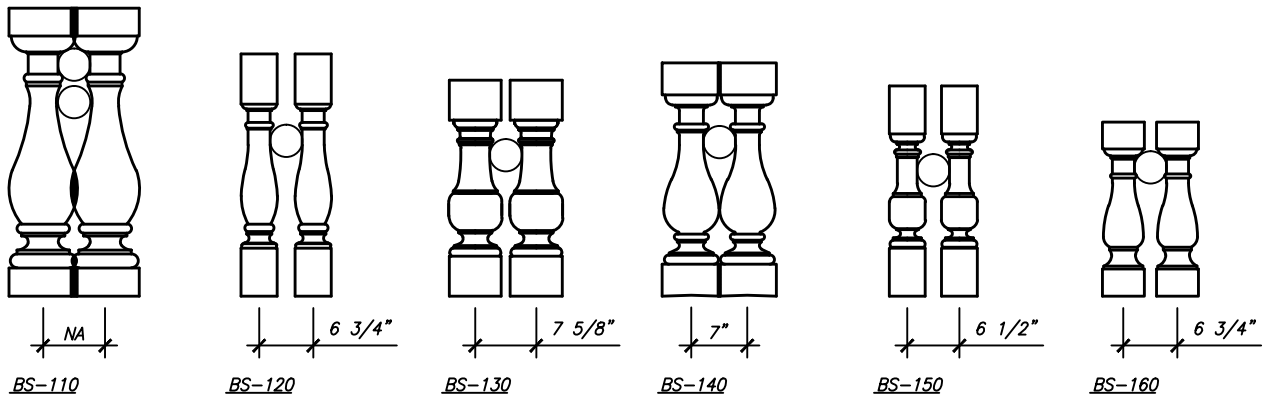
8300 BESSEMER AVE., CLEVELAND, OHIO 44127-1839  
 (216) 641-8300 - FAX:(216) 641-8150  
 www.fiberglass-afi.com



OPTION 1 -  $4" \varnothing$  SPHERE CODE SPACING



OPTION 2 - SPACING NOT TO CODE



BALUSTRADES

SHEET NO.

**SD-05**

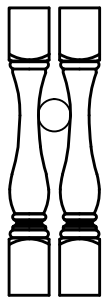
2020

INSTALLATION



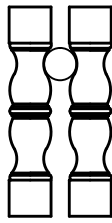
**ARCHITECTURAL FIBERGLASS, INC.**

8300 BESSEMER AVE., CLEVELAND, OHIO 44127-1839  
 (216) 641-8300 - FAX:(216) 641-8150  
 www.fiberglass-afi.com



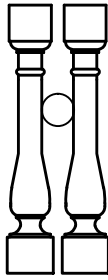
6 5/16"

BS-170



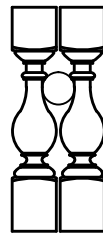
7 1/2"

BS-180



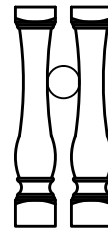
6 7/8"

BS-190



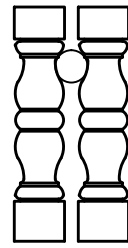
6"

BS-200



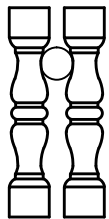
7"

BS-210



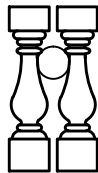
8"

BS-220



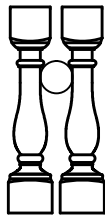
6 7/8"

BS-230



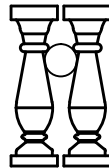
6"

BS-240



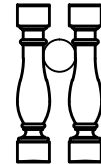
6 1/2"

BS-250



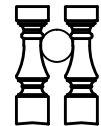
6 5/8"

BS-260



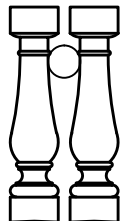
6 1/2"

BS-270



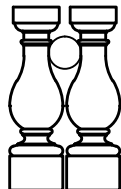
6 1/8"

BS-280



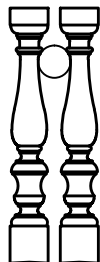
7 1/2"

BS-290



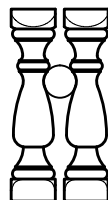
7 1/8"

BS-300



6 1/4"

BS-310



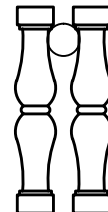
6 5/8"

BS-320



6 1/4"

BS-330



7"

BS-340

BALUSTRADES

SHEET NO.

SD-06

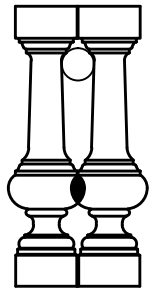
2020

INSTALLATION



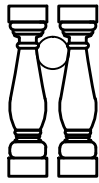
ARCHITECTURAL FIBERGLASS, INC.

8300 BESSEMER AVE., CLEVELAND, OHIO 44127-1839  
(216) 641-8300 - FAX:(216) 641-8150  
www.fiberglass-afi.com



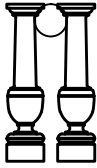
NA

BS-350



6 1/4"

BS-360



6 3/8"

BS-370



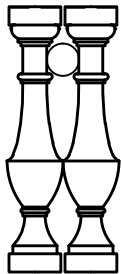
6"

BS-380



5 3/4"

BS-390



7"

BS-390

BALUSTRADES

SHEET NO.

**SD-07**

2020

INSTALLATION



**ARCHITECTURAL FIBERGLASS, INC.**

8300 BESSEMER AVE., CLEVELAND, OHIO 44127-1839  
(216) 641-8300 - FAX:(216) 641-8150  
www.fiberglass-afi.com

**NOTE:**

1. FIBERGLASS PRODUCTS ARE INTENDED TO BE INSTALLED ON FINISHED WATERTIGHT ROOF STRUCTURES AND ARE GENERALLY NOT OPEN TO THE BUILDING BELOW. FIBERGLASS PRODUCTS ARE DESIGNED TO SHED WATER BUT ARE NOT FACTORY INSULATED. FIBERGLASS PRODUCTS THAT ARE NOT INSULATED COULD CAUSE CONDENSATION INSIDE THE STRUCTURE. DECORATIVE FEATURES SUCH AS VENTS, LOUVERS, CROSSES, AND FINIALS CAN ALSO ALLOW MOISTURE TO ENTER THE STRUCTURE. ARCHITECTURAL FIBERGLASS, INC. (AFI) RECOMMENDS ROOFING OR WATERPROOFING UNDER THE FIBERGLASS STRUCTURE AND SEALING AROUND ALL ANCHOR BOLTS. FIELD APPLIED INSULATION AND FLASHING BY CONTRACTOR CAN REDUCE CONDENSATION AND SEAL THE STRUCTURE AGAINST MOISTURE.

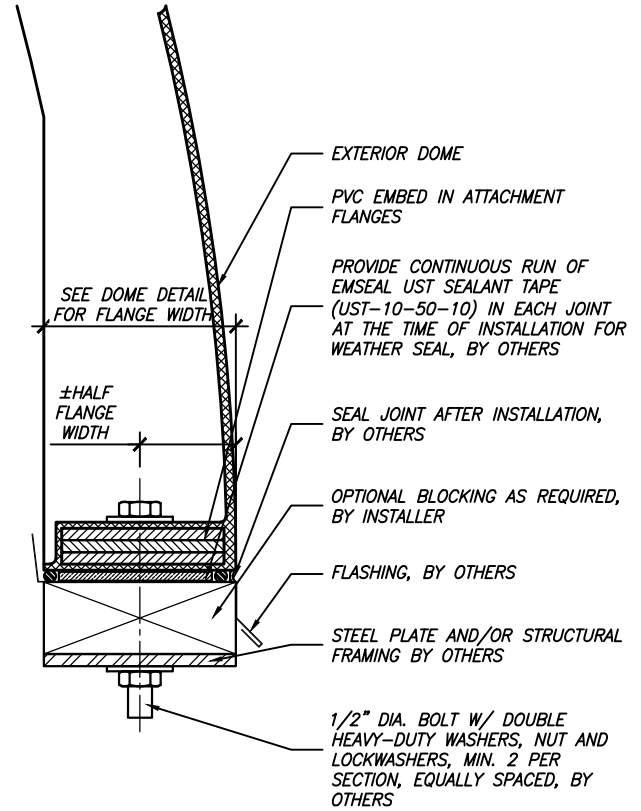
WATERTIGHTNESS IS A FUNCTION OF THE INSTALLATION AND THE SUBSTRATE TO WHICH THE FIBERGLASS MATERIAL IS BEING ATTACHED. FURNISHED FIBERGLASS ELEMENTS ARE STRICTLY FOR ORNAMENTAL PURPOSES AND THE SELLER IS NOT RESPONSIBLE FOR ANY OTHER INTENDED USE. AFI DOES NOT WARRANT WATERTIGHT FACTORY-ASSEMBLED OR FIELD-ASSEMBLED JOINTS. FACTORY-ASSEMBLED JOINTS HAVE THE POTENTIAL TO SEPARATE DURING SHIPPING AND INSTALLATION. AFI RECOMMENDS FINAL SEALANT APPLICATION AFTER ELEMENTS ARE INSTALLED, IN ADDITION, A CONTINUOUS RUN AT EACH JOINT OF EMSEAL UST SEALANT TAPE (ITEM UST-10-50-10;) BY EMSEAL JOINT SYSTEMS, LTD ([WWW.EMSEAL.COM](http://WWW.EMSEAL.COM)) (1-800-526-8365) OR EQUAL. REFERENCE TYPICAL DETAIL. IF WATERTIGHTNESS IS REQUIRED, AFI RECOMMENDS THAT A LICENSED WATERPROOFING CONSULTANT REVIEW THE DETAILS AND PROVIDES RECOMMENDATIONS AS REQUIRED FOR THIS SPECIFIC APPLICATION.

2. CONTRACTOR IS RESPONSIBLE FOR ANY ENGINEERING REQUIREMENTS ASSOCIATED WITH THE STRUCTURE TO WHICH FIBERGLASS ELEMENTS ARE ATTACHED, AND WIND LOAD FORCES IMPOSED BY THE FIBERGLASS STRUCTURE.

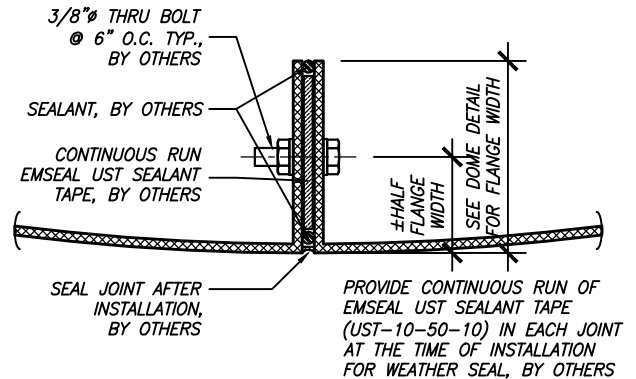
3. LIGHTNING PROTECTION IS NOT INCLUDED UNLESS NOTED ON THE SHOP DRAWINGS. LIGHTNING PROTECTION IS RECOMMENDED AND CAN BE INCORPORATED UPON REQUEST. A LICENSED CONTRACTOR WILL NEED TO FIELD GROUND ANY LIGHTNING PROTECTION PROVIDED WITH THE FIBERGLASS ELEMENTS.

4. AFI RECOMMENDS ALL 3/8" DIA. THRU BOLTS TO BE STAINLESS STEEL TYPE 316, U.N.O. 1/2", 5/8", OR 3/4" DIA. (AS INDICATED) THRU BOLTS TO BE GRADE 5, GALVANIZED, U.N.O., BY OTHERS.

5. APPROVAL OF DRAWING IMPLIES THAT THE CONTRACTOR HAS VERIFIED ALL FIELD MEASUREMENTS PRIOR TO MANUFACTURE.



**TYPICAL DOME ATTACHMENT**



**TYPICAL EXTERIOR DOME JOINT DETAIL**

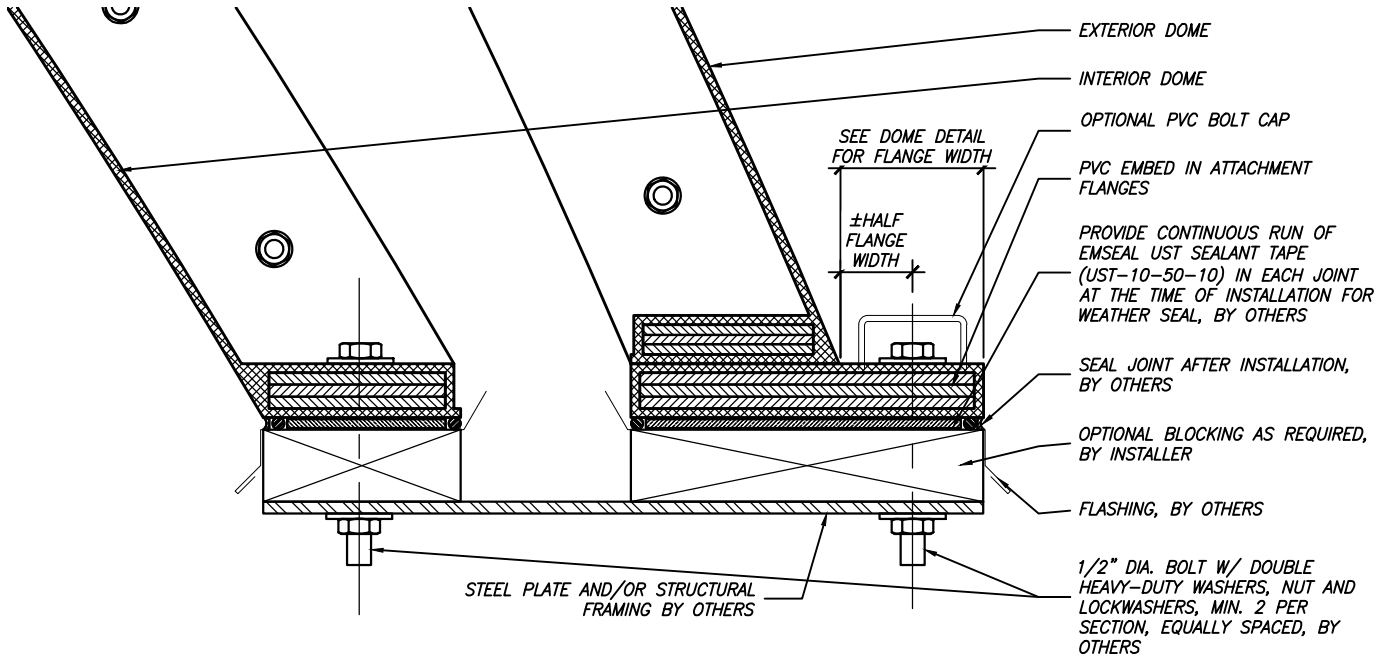
DOMES  
SHEET NO.  
**SD-1**  
2020

ATTACHMENT  
DETAILS



**ARCHITECTURAL FIBERGLASS, INC.**

8300 BESSEMER AVE., CLEVELAND, OHIO 44127-1839  
(216) 641-8300 - FAX:(216) 641-8150  
[www.fiberglass-afi.com](http://www.fiberglass-afi.com)



TYPICAL DOME ATTACHMENT  
WITH INTERIOR AND EXTERIOR DOMES

DOMES

SHEET NO.

**SD-2**

2020

ATTACHMENT  
DETAILS



**ARCHITECTURAL FIBERGLASS, INC.**

8300 BESSEMER AVE., CLEVELAND, OHIO 44127-1839  
(216) 641-8300 - FAX:(216) 641-8150  
www.fiberglass-afi.com